

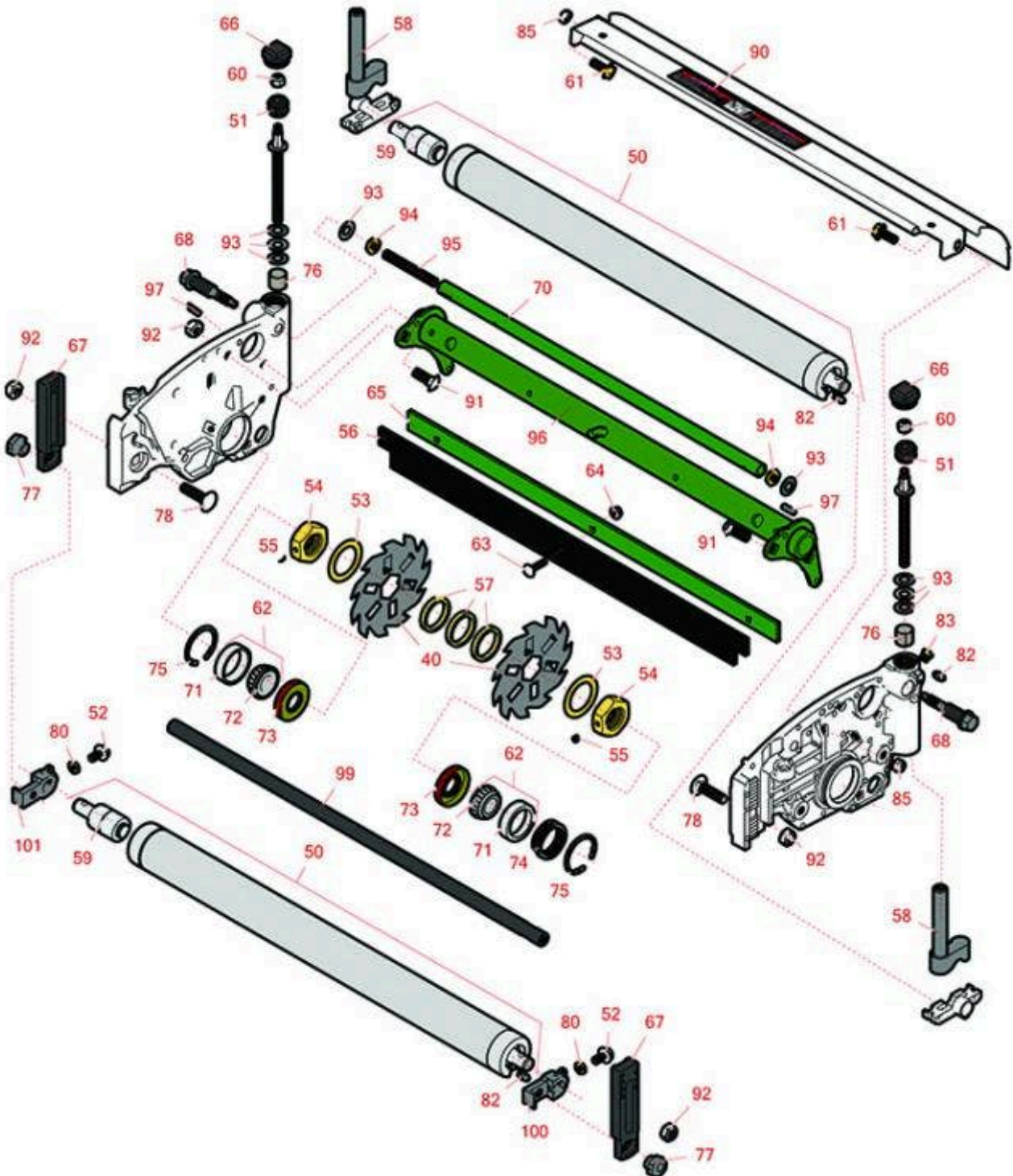
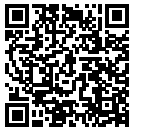


Replaces John Deere 6500A Reel Mower

Parts

Verti-Cut Unit

Verti-cut Reel & Frame



All original equipment manufacturers names and part numbers are used for identification purposes only, and we are in no way implying that our products are original equipment parts. Prices subject to change without notice.



Replaces John Deere 6500A Reel Mower

Parts

Verti-Cut Unit

Verti-cut Reel & Frame



Item No	R&R Part No.	OEM Part No.	Description	Qty Req	Order Quantity
---------	--------------	--------------	-------------	---------	----------------

Blades

40	R150209C	TCU26776	Verti-Cut Blade - Carbide Tipped 2mm	27	
----	-----------------	----------	--------------------------------------	----	--

*Detail Description: STRONG BY DESIGN. Each blade is made with the highest quality hand-picked steel, and laser-cut to our exacting specifications for superior toughness and wear.

TUNGSTEN CARBIDE TIPS. Protect blades from abrasion for extended life and maintain a consistent cutting depth. Optional cutting widths to meet local turf conditions.:*

Other Parts Available

50	RBM18480	BM18480	Roller Assy - Solid 2"	2	
51	RTC40491	TCU24683, TCU40491	Worm Gear	2	
52	R33114-016	19M7162	Bolt - Hx HD 8mm x 1.25 x 15	2	
53	R24H1513	24H1513	Washer	2	
54	RET17053	ET17053	Nut - 1-1/8-7 Jam Incl Set Screw	2	
55	R3245-35	22H841	Screw - Set 1/4-28 x 1/4	2	
56	RET17914	ET17914	Rubber Isolator - Verticut	1	
57	RET17713	ET17713	Spacer - Vertical Mower Shaft	79	
58	RAUC13598	AUC13598, TCA19369	Adjuster	2	
59	RAA35741	AA35741, AET10129, TCA22836	Bearing	4	

Detail Description: 1/4" Side Hole:

60	RM148268	M148268	Lock Nut	2	
61	R19M7866	19M7866	Bolt - Flanged Hex M8-1.25 x 20	2	
62	R500534		Bearing - with Cup	2	

All original equipment manufacturers names and part numbers are used for identification purposes only, and we are in no way implying that our products are original equipment parts. Prices subject to change without notice.



Replaces John Deere 6500A Reel Mower

Parts

Verti-Cut Unit

Verti-cut Reel & Frame



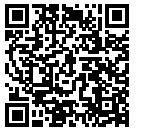
Item No	R&R Part No.	OEM Part No.	Description	Qty Req	Order Quantity
<i>Detail Description: Kit includes: 1 ea R254-78- Bearing Cone & R254-79 Bearing Cone:</i>					
63	R03M7232	03M7232	Bolt - Carriage M6-1.0 x 25	3	
64	R14M7303	14M7303	Nut - 6mm x 1.0 Flanged	3	
65	RAMT2704	AMT2704, MT169	Strap - Verticut Shield	1	
66	RUC16102	TCU24949, UC16102	Cap	2	
67	RUC16108	TCU24460, UC16108	Bracket	2	
68	RTC26458	TCU26458	Worm Gear	2	
70	RTC26729	TCU26729	Tube	1	
71	R254-79	JD8226	Cup - Bearing	2	
<i>Detail Description: Use R254-79M installation mandrel to properly install race.:</i>					
72	R254-78	JD8188	Tapered Bearing Cone	2	
73	RET14566	ET14566	Seal - Reel	2	
74	RTC23880	TCU23880, TCU28964	Compression Spring - Reel Bearing	1	
75	R40M7226	40M1862, 40M7226	Ring - Retaining	2	
76	RMT74	MT74	Bushing - Roller Bkt	2	
77	RTC28635	TCU24555, TCU28635	Eccentric	2	
78	R03M7194	03M7194	Bolt	2	
80	R14M7151	14M7151	Nut - Jam Roller Adj	2	

All original equipment manufacturers names and part numbers are used for identification purposes only, and we are in no way implying that our products are original equipment parts. Prices subject to change without notice.



Replaces John Deere 6500A Reel Mower Parts

*Verti-Cut Unit
Verti-cut Reel & Frame*



Item No	R&R Part No.	OEM Part No.	Description	Qty Req	Order Quantity
82	R302-5	JD7797, JD7842, JD7844	Fitting - Grease	2	
83	R170714	E14814	Fitting - Pressure Relief	2	
85	RH137328	H137328	Locknut	2	
90	RMT6517	MT6517	Label - Warning	1	
91	R03M7191	03M7191	Bolt - Carriage M10 x 25	4	
92	R14M7517	14M7517	Locknut - 10mm x 1.5 ESNA	4	
93	RET16679	ET16679	Washer - Spring	8	
94	R14M7152	14M7152	Nut - 10mm x 1.5 Jam	2	
95	RTC25398	TCU25398	Compression Spring	1	
96	RAUC13891	AUC13891, TCA18291	Frame	1	
97	RR30587	30587, R30587	Pin - Dowell 1/4 Dia. x .75	2	
99	RUC13425	UC13425	Rod - Hardened	1	
100	RUC18211	TCU24461, UC18211	Bracket - LH	1	
101	RUC16109	TCU24461, UC16109	Bracket - RH	1	

All original equipment manufacturers names and part numbers are used for identification purposes only, and we are in no way implying that our products are original equipment parts. Prices subject to change without notice.