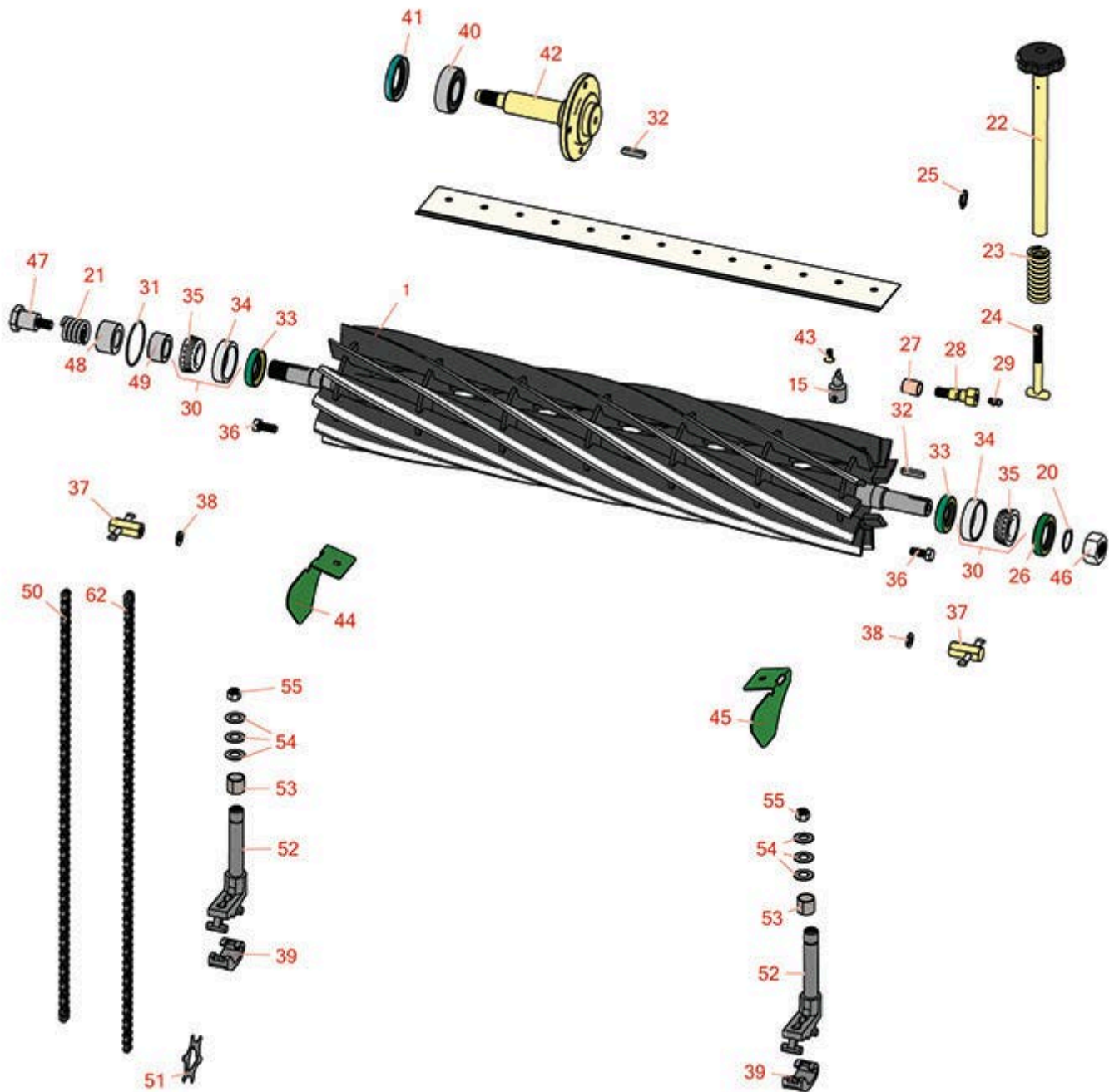




Replaces John Deere 260SL Walk-Behind Greens Mower Parts

Cutting Unit
Reel & Bedknife



All original equipment manufacturers names and part numbers are used for identification purposes only, and we are in no way implying that our products are original equipment parts. Prices subject to change without notice.



Replaces John Deere 260SL Walk-Behind Greens Mower Parts

Cutting Unit
Reel & Bedknife



Item No	R&R Part No.	OEM Part No.	Description	Qty Req	Order Quantity
---------	--------------	--------------	-------------	---------	----------------

R&R Reels, Lifetime Guaranteed

1	RAMT2903	AMT2903	Reel - 7 Blade 26in	1	
1	RAMT2898	AMT2716, AMT2898	Reel - 11 Blade 26in	1	

Service Tools

15	R101278T		Bedknife Screw Driver Tool	0	
----	-----------------	--	----------------------------	---	--

Tech Note: Easily install and remove bed knife screws with the help of a ratchet. Tool manufactured with hardened alloy steel.:

Other Parts Available

20	R40M7080	40M7080, ET11059	Ring - Snap	1	
21	RET11053	ET11053	Spring - Reel	1	
22	RAMT2798	AMT2798	Handle - Adjuster	2	
23	RET11070	ET11070	Spring - Bed Bar	2	
24	RET11372	ET11372	Bolt - Adjusting Bed Bar	2	
25	R40M1863	40M1863	Ring - Snap	2	
26	RET11073	ET11073	Seal - Reel Outer	1	
27	RP44946	P44946	Bushing - Bronze	2	
28	RET11371	ET11371	Screw - Special	2	
29	R302-5	JD7797, JD7842, JD7844	Fitting - Grease	6	
30	R500610	AMT1108	Tapered Bearing Set - Cup and Cone	2	

Tech Note: Includes:RAMT1108 & RMT2108:

All original equipment manufacturers names and part numbers are used for identification purposes only, and we are in no way implying that our products are original equipment parts. Prices subject to change without notice.



Replaces John Deere 260SL Walk-Behind Greens Mower Parts

*Cutting Unit
Reel & Bedknife*



Item No	R&R Part No.	OEM Part No.	Description	Qty Req	Order Quantity
31	RM44162	M44162	O-Ring - Reel	1	
32	R49M7049	49M7049	Key - 5mm x 22mm	1	
33	RMT1160	MT1160	Seal - Reel	2	
34	RMT2108	MT2108	Tapered Bearing Cup	2	
35	RAMT1108	AMT1108	Tapered Bearing Cone	2	
36	R19M7881	19M7881	Bolt - Hex HD M8-1.25 x 20	2	
37	RET11356	ET11356	Nut - Adjusting	2	
38	R24M7036	24M7036	Washer - Flat 8mm Zinc	2	
39	RUC16110	UC16110	Clamp	2	
40	R345050	AZ20217, AZX20217	Bearing	2	
41	RET10285	ET10285	Seal	2	
42	RET11081	ET11081	Spindle - Traction Roller	1	
43	R101278	21M7194	Screw - Bedknife	13	
44	RTC29522	TCU29522	Grass Deflector	1	
45	RTC29523	TCU29523	Grass Deflector	1	
46	R14M7306	14M7306	Nut - M20-1.5	1	
47	RET11367	ET11367	Cap Screw - Special	1	
48	RET11464	ET11464	Spacer	1	
49	RET11368	ET11368	Spacer	1	
50	RTCA16596	TCA16596	Roller Chain #35	1	
51	RET14707	ET14707	Verti-Cut Blade - .025 x 2.375	75	

All original equipment manufacturers names and part numbers are used for identification purposes only, and we are in no way implying that our products are original equipment parts. Prices subject to change without notice.



Replaces John Deere 260SL Walk-Behind Greens Mower Parts

*Cutting Unit
Reel & Bedknife*



Item No	R&R Part No.	OEM Part No.	Description	Qty Req	Order Quantity
52	RAUC13515	AUC13515	Adjuster	2	
53	RMT74	MT74	Bushing - Roller Bkt	2	
54	RET16679	ET16679	Washer - Spring	6	
55	RM148268	M148268	Lock Nut	2	
62	RTCA16595	TCA16595	Chain - Rear Roller	1	

All original equipment manufacturers names and part numbers are used for identification purposes only, and we are in no way implying that our products are original equipment parts. Prices subject to change without notice.