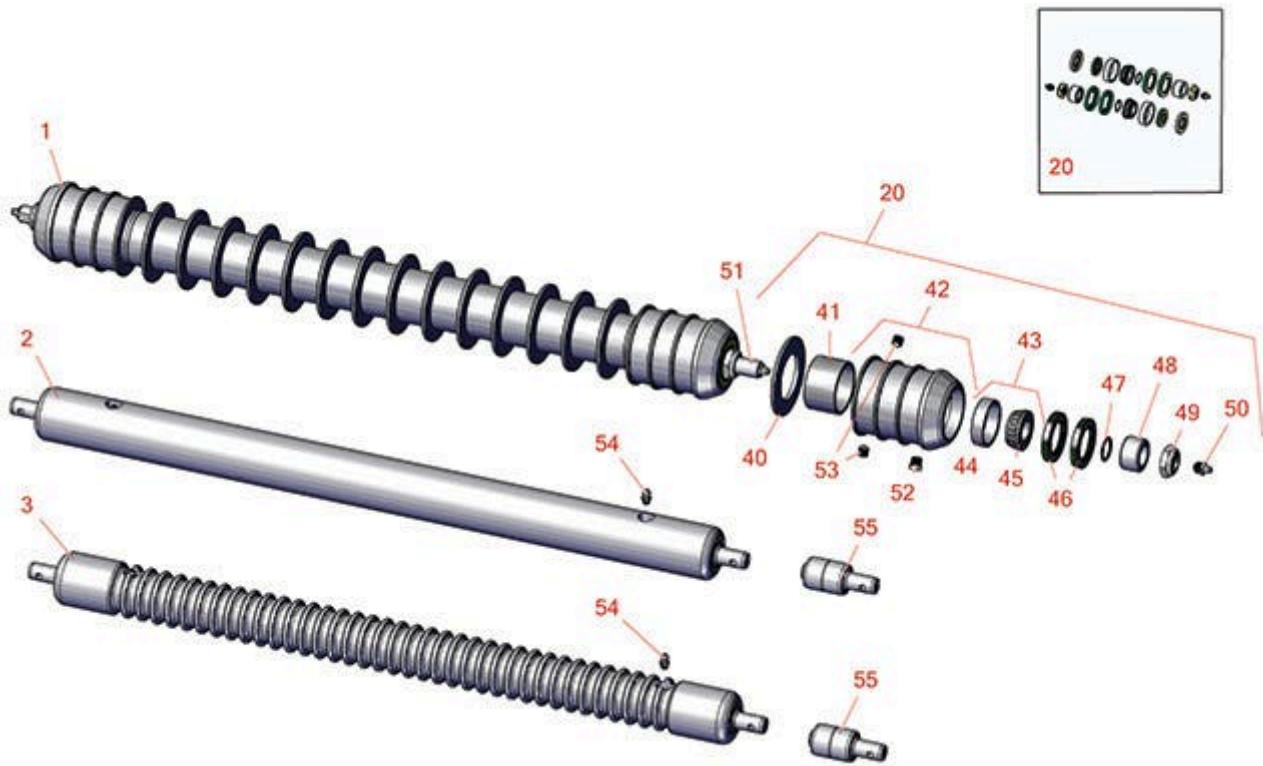




Replaces John Deere 260SL Walk- Behind Greens Mower Parts

Cutting Unit
Rollers



All original equipment manufacturers names and part numbers are used for identification purposes only, and we are in no way implying that our products are original equipment parts. Prices subject to change without notice.



Replaces John Deere 260SL Walk-Behind Greens Mower Parts

Cutting Unit
Rollers



Item No	R&R Part No.	OEM Part No.	Description	Qty Req	Order Quantity
---------	--------------	--------------	-------------	---------	----------------

R&R Rollers

1	R500509	AMT2968, BM25318	Roller - Grooved Repairable Steel - 26	1	
---	----------------	---------------------	--	---	--

Tech Note: Constructed with a through shaft and greasable ball bearings. This roller can be repaired by unscrewing the ends and replacing the series of washers and spacers.:

2	RAMT2787	AMT2787, AMT2982	Roller - Smooth Solid Steel	1	
---	-----------------	---------------------	-----------------------------	---	--

Tech Note: Machined from solid steel, this heavy weight roller uses greasable "water-pump" style bearings.:

3	RAMT2785	AMT2785	Roller - Grooved Machined Solid Steel	1	
---	-----------------	---------	---------------------------------------	---	--

Tech Note: Machined from solid steel, this heavy weight roller uses greasable "water-pump" style bearings.:

Overhaul Kits

20	RAET10632	AET10632	Overhaul Kit - Roller	1	
----	------------------	----------	-----------------------	---	--

Tech Note: Includes 4 ea: RET15755 Seal; 2 ea: R237-54 O-Ring, R253-122 Seal, R254-78 Bearing, R254-79 Cup, R3296-15 Locknut, R471219 Grease Zerk, RET15726 Sleeve, RET15756 Seal:

Other Parts Available

40	R150673		Washer - 3 Repairable Roller	11	
----	----------------	--	------------------------------	----	--

41	R150676		Spacer - 2-3/4 Dia x 1-1/4 L	10	
----	----------------	--	------------------------------	----	--

42	R500511		Roller End - Threaded 3	2	
----	----------------	--	-------------------------	---	--

43	R500534		Bearing - with Cup	2	
----	----------------	--	--------------------	---	--

44	R254-78	JD8188	Tapered Bearing Cone	2	
----	----------------	--------	----------------------	---	--

45	R254-79	JD8226	Cup - Bearing	2	
----	----------------	--------	---------------	---	--

Tech Note: Use R254-79M installation mandrel to properly install race.:

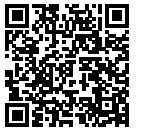
46	RET15755	ET15755	Seal - Oil	2	
----	-----------------	---------	------------	---	--

All original equipment manufacturers names and part numbers are used for identification purposes only, and we are in no way implying that our products are original equipment parts. Prices subject to change without notice.



Replaces John Deere 260SL Walk-Behind Greens Mower Parts

Cutting Unit
Rollers



Item No	R&R Part No.	OEM Part No.	Description	Qty Req	Order Quantity
47	R237-54	U46731, U6731	O-Ring - Small	2	
48	RET15726	ET15726, RET15726	Sleeve - Wear Hardened	2	
49	R3296-15	N101345	Locknut - 3/4-16 Nylon Jam	2	
50	R471219	471219, JD7759, JD7798	Zerk - Grease	2	
51	RET17514	ET17514	Shaft - 26 Roller	1	
52	R170714	E14814	Fitting - Pressure Relief	2	
53	R150691		Screw - Set Nyloc 3/8-16 x 3/8	4	
54	R302-5	JD7797, JD7842, JD7844	Fitting - Grease	2	
55	RAA35741	AA35741, AET10129, TCA22836	Bearing	2	

Tech Note: 1/4" Side Hole:

All original equipment manufacturers names and part numbers are used for identification purposes only, and we are in no way implying that our products are original equipment parts. Prices subject to change without notice.