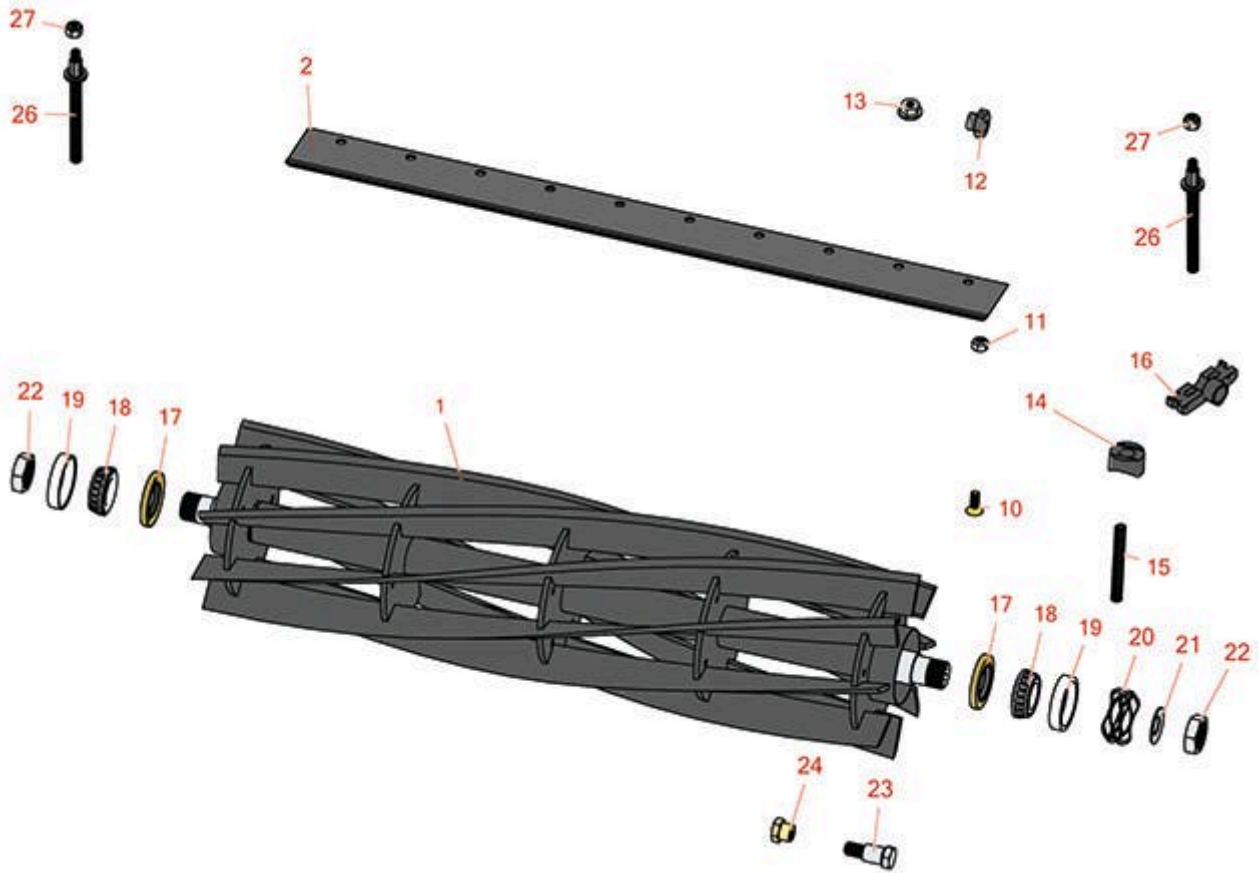




Replaces John Deere 7200A Reel Mower

Parts

26in Cutting Unit
Reel & Bedknife



All original equipment manufacturers names and part numbers are used for identification purposes only, and we are in no way implying that our products are original equipment parts. Prices subject to change without notice.



Replaces John Deere 7200A Reel Mower Parts

26in Cutting Unit
Reel & Bedknife



Item No	R&R Part No.	OEM Part No.	Description	Qty Req	Order Quantity
---------	--------------	--------------	-------------	---------	----------------

R&R Reels, Lifetime Guaranteed

1	RTCA19355	TCA19355	Reel - 5 Blade 26 in	1	
1	RTCA19356	TCA19356	Reel - 8 Blade 26 in	1	

R&R Bedknives, Lifetime Guaranteed

2	RET17752	ET17752	Bedknife - 26 in 10 Hole	1	
2	RMT2396	MT2396, MT6949	Bedknife - 26 in Low Cut 10 Hole	1	

Other Parts Available

10	R19M7573	19M7573	Screw - Bedknife M8-1.25 x 20	0	
11	RH137328	H137328	Locknut	0	
12	RTC28635	TCU24555, TCU28635	Eccentric	2	
13	RH135891	H135891	Locknut - 10mm x 1.5 Flanged 10.9	6	

Tech Note: High Strength:

14	RTC25394	TCU25394, TCU27453	Base	2	
15	RTC25398	TCU25398	Compression Spring	1	
16	RTC28987	TCU28987	Half Clamp - Roller Bkt	2	
17	RTC25266	TCU25266	Seal	2	
18	R254-94	JD8933, TCU37582	Tapered Bearing Cone	2	
19	R254-72	JD8253	Cup - Bearing	2	
20	R170610	TCU26530	Spring - Compression	1	
21	RET16678	ET16678	Washer - Spring	1	

All original equipment manufacturers names and part numbers are used for identification purposes only, and we are in no way implying that our products are original equipment parts. Prices subject to change without notice.



Replaces John Deere 7200A Reel Mower Parts

*26in Cutting Unit
Reel & Bedknife*



Item No	R&R Part No.	OEM Part No.	Description	Qty Req	Order Quantity
22	RTC26215	TCU26215	Nut - Reel	2	
23	RMT6338	MT6338	Bolt - Shoulder	2	
24	RET16572	ET16572	Nut - Hex	2	
26	RTC26123	TCU26123	Adjuster	2	
27	RM148268	M148268	Lock Nut	2	

All original equipment manufacturers names and part numbers are used for identification purposes only, and we are in no way implying that our products are original equipment parts. Prices subject to change without notice.