

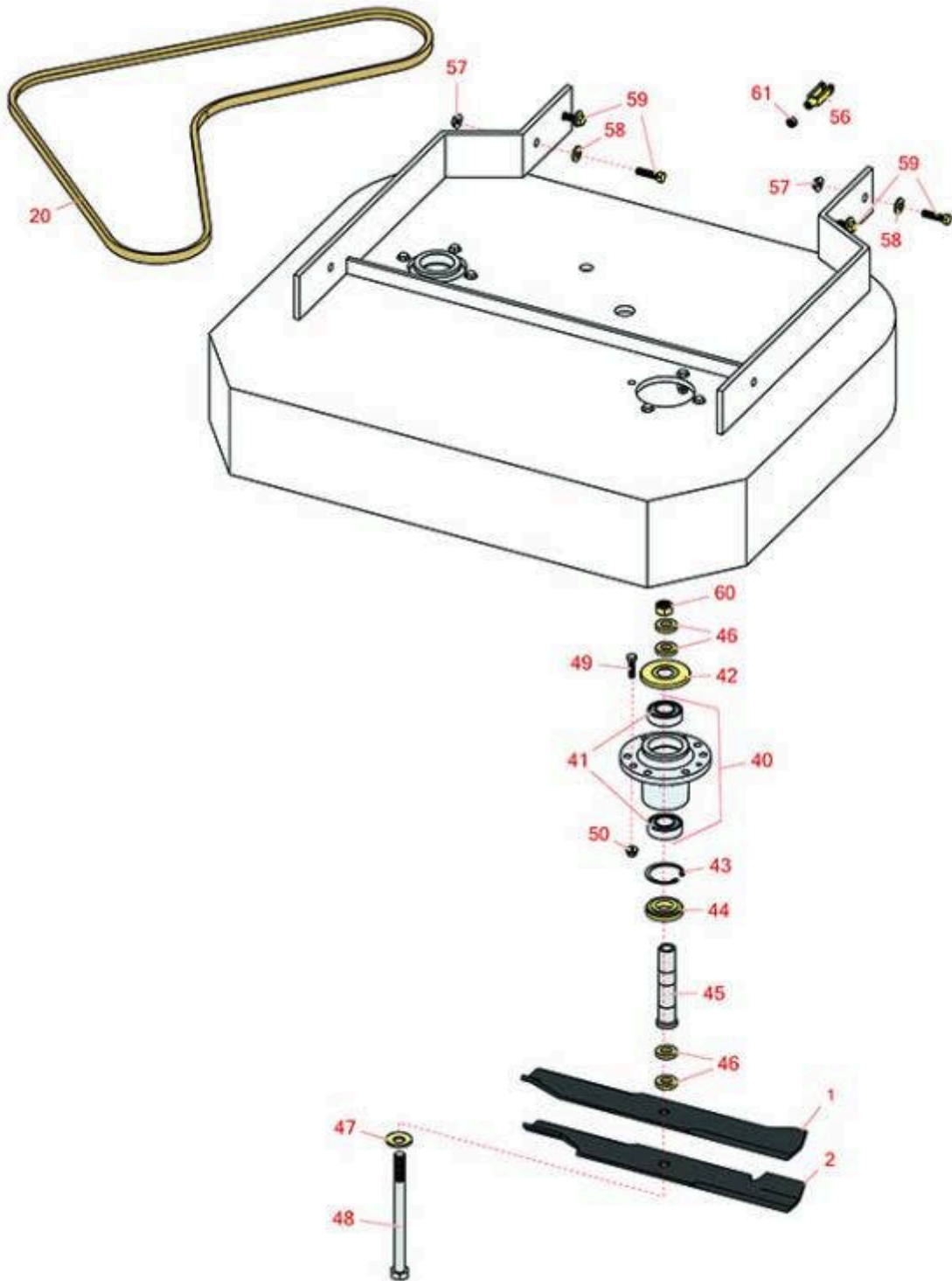


Replaces Exmark Viking Parts

Walk Behind Mower - Model VHS481GKA36200 with 36in

Deck

36in Deck



All original equipment manufacturers names and part numbers are used for identification purposes only, and we are in no way implying that our products are original equipment parts. Prices subject to change without notice.



Replaces Exmark Viking Parts

Walk Behind Mower - Model VHS481GKA36200 with 36in Deck
36in Deck



Item No	R&R Part No.	OEM Part No.	Description	Qty Req	Order Quantity
Rotary Blades					
1	R103-1578	103-1578	Mower Blade - 18 in Solid	2	
2	RRB3065-1800	103-6584, 103-6584-S	Mower Blade - High-Lift 18 x 2.5in x 5/8 Mt Hole	2	
Belts					
20	R1-323735	1-323735	Belt - Drive to Blades	1	
Other Parts Available					
40	R103-8280	103-8280	Spindle Assy w/Bearings	2	
41	R103-2477	103-2477	Bearing - Jackshaft	4	
42	R103-1330	103-1330	Guard - Bearing - Top	2	
43	RC-10025	32120-8	Ring - Retaining	2	
44	R103-2535	103-2535	Spacer-Guard, Bottom	2	
45	R1-323529	1-323529	Tube - Spindle - Short	2	
46	R1-323539	1-323539	Spacer	8	
47	R1-513208	1-513208	Washer - Spring	2	
48	R1-800861	1-800861	Bolt - 5/8-18x8 Hex Hx GR5	2	
49	R400190	322-6	Bolt - Hex HD 5/16-18 x 1-1/4 GR5	8	
50	R445722	32128-20	Nut - Serrated Washer	22	
56	R282-2	1-303105	Yoke	1	
57	R32128-43	32128-43, 3290-357, 3296-29	Nut - Flanged Whiz - 3/8-16	8	
58	R98-5975	98-5975	Washer - Belleville	9	

All original equipment manufacturers names and part numbers are used for identification purposes only, and we are in no way implying that our products are original equipment parts. Prices subject to change without notice.



Replaces Exmark Viking Parts

Walk Behind Mower - Model VHS481GKA36200 with 36in

Deck

36in Deck



Item No	R&R Part No.	OEM Part No.	Description	Qty Req	Order Quantity
59	R323-8	323-8	Bolt - Hex HD 3/8-16 x 1-1/2 GR8	8	
60	R3219-6	3219-6	Nut - 5/8-18 Gr 8 Hex	2	
61	R3219-2	3219-2	Nut - 5/16-24 Zinc	1	

All original equipment manufacturers names and part numbers are used for identification purposes only, and we are in no way implying that our products are original equipment parts. Prices subject to change without notice.