

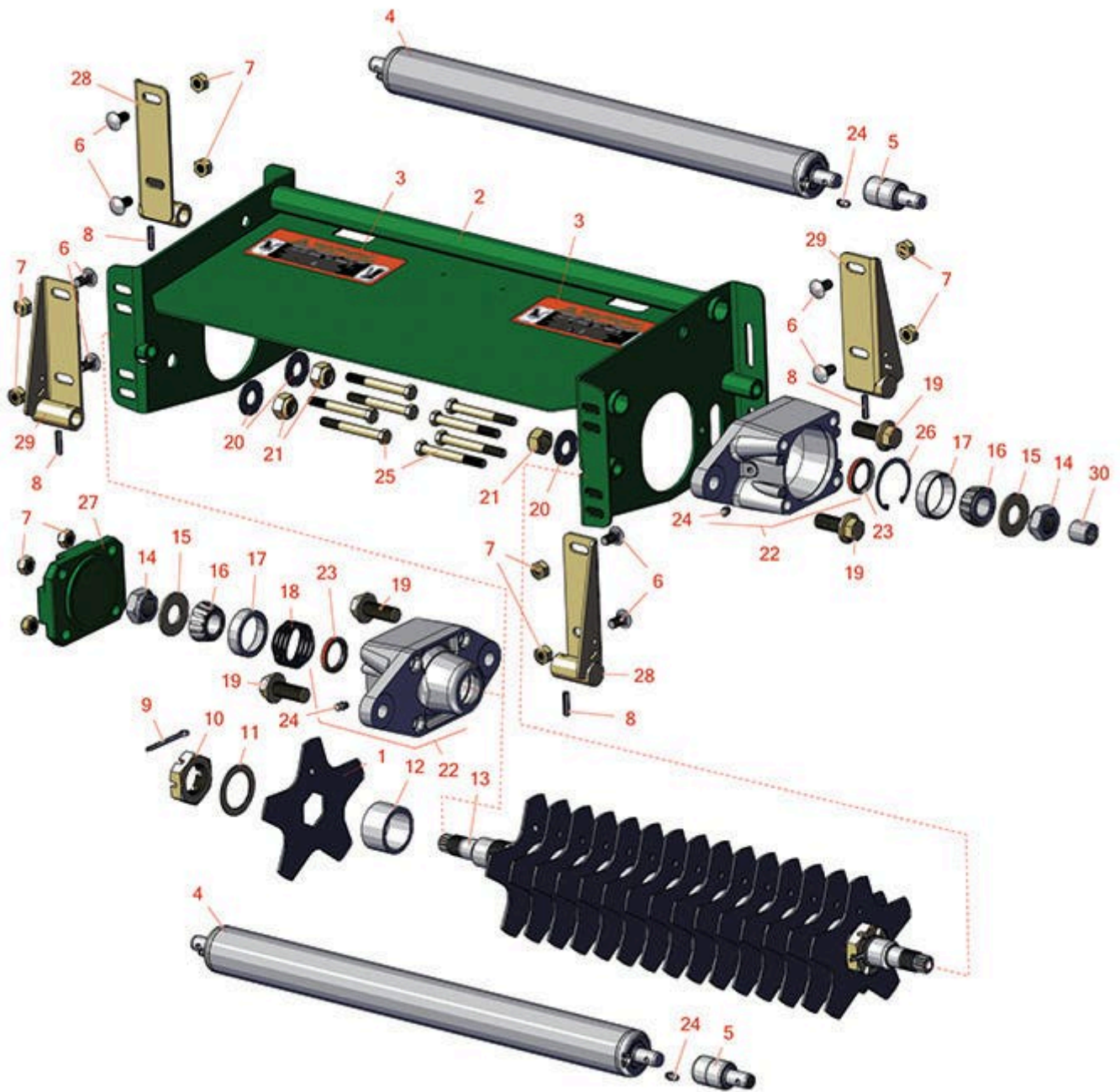


# Replaces John Deere 3235 Reel Mower

## Parts

Heavy Verticut Unit

Verti-Cut Reel & Frame



All original equipment manufacturers names and part numbers are used for identification purposes only, and we are in no way implying that our products are original equipment parts. Prices subject to change without notice.



# Replaces John Deere 3235 Reel Mower Parts

Heavy Verticut Unit  
Verti-Cut Reel & Frame



Item No	R&R Part No.	OEM Part No.	Description	Qty Req	Order Quantity
<b>Verti-Cut Blades</b>					
1	<b>RMT6987</b>	MT6987	Verti-Cut Blade	16	
1	<b>RMT6987C</b>		Verti-Cut Blade - Carbide Tipped	16	
<b>Other Parts Available</b>					
2	<b>RAMT479</b>	AMT479	Frame - Verti-Cut	1	
3	<b>RMT1520</b>	MT1520	Label	2	
4	<b>RAET10111</b>	AET10111, AMT2876	Roller - Smooth Tubular Steel	2	
<i>Tech Note: This tubular steel roller uses greasable "water-pump" style bearings.:</i>					
5	<b>RAA35741</b>	AA35741, AET10129, TCA22836	Bearing	4	
<i>Tech Note: 1/4" Side Hole:</i>					
6	<b>R03M7190</b>	03M7190	Bolt - Carriage M10-1.5 x 20	8	
7	<b>R14M7400</b>	14M7400	Locknut - 10mm	8	
8	<b>R34M7113</b>	34M7113	Spring Pin - 6mm x 26mm	4	
9	<b>R50-0</b>	11M7032	Pin - Cotter 3/16 x 2	1	
10	<b>RET17318</b>	ET17318	Nut - Slotted Jam	1	
11	<b>R24H1549</b>	24H1549	Spacer	14	
12	<b>RET17648</b>	ET17648	Spacer	15	
13	<b>RMT770</b>	MT770	Shaft - Verti-Cut	1	
14	<b>RMT1211</b>	MT1211	Locknut - 7/8-14 All Metal	2	
15	<b>RM81551</b>	M81551	Washer - 1.840 OD	2	

All original equipment manufacturers names and part numbers are used for identification purposes only, and we are in no way implying that our products are original equipment parts. Prices subject to change without notice.



# Replaces John Deere 3235 Reel Mower Parts

Heavy Verticut Unit  
Verti-Cut Reel & Frame



Item No	R&R Part No.	OEM Part No.	Description	Qty Req	Order Quantity
16	<b>RJD8960</b>	JD8960	Tapered Bearing Cone	2	
17	<b>R254-90</b>	JD8239	Tapered Bearing Cup	2	
18	<b>RET17510</b>	ET17510	Spring	1	
19	<b>R19M7793</b>	19M7793	Bolt - Hex HD Flanged M16	4	
20	<b>RET16424</b>	ET16424	Washer	4	
21	<b>R14M7328</b>	14M7328	Locknut - 16mm x 2.0 ESNA	4	
22	<b>RAMT683</b>	AMT683	Housing - Bearing w/Zerk and Seal	2	
23	<b>RMT1115</b>	MT1115	Seal - Reel	2	
24	<b>R302-5</b>	JD7797, JD7842, JD7844	Fitting - Grease	2	
25	<b>R19M8197</b>	19M8197	Bolt - Hx HD	8	
26	<b>R32120-65</b>	N51168	Ring - Retaining	1	
27	<b>RET17645</b>	MT7001	Cap - Reel Bearing Housing	1	
28	<b>RAMT5050</b>	AMT5050	Bracket - Roller - V-Cut Unit	2	
<i>Tech Note: LH Front and RH Rear:</i>					
29	<b>RAMT5051</b>	AMT5051	Bracket - Roller - V-Cut Unit	2	
<i>Tech Note: RH Front and LH Rear:</i>					
30	<b>RAET11038</b>	AET11038, AET11039, AT11038	Coupler - V-Cut 8 Tooth	1	

All original equipment manufacturers names and part numbers are used for identification purposes only, and we are in no way implying that our products are original equipment parts. Prices subject to change without notice.