

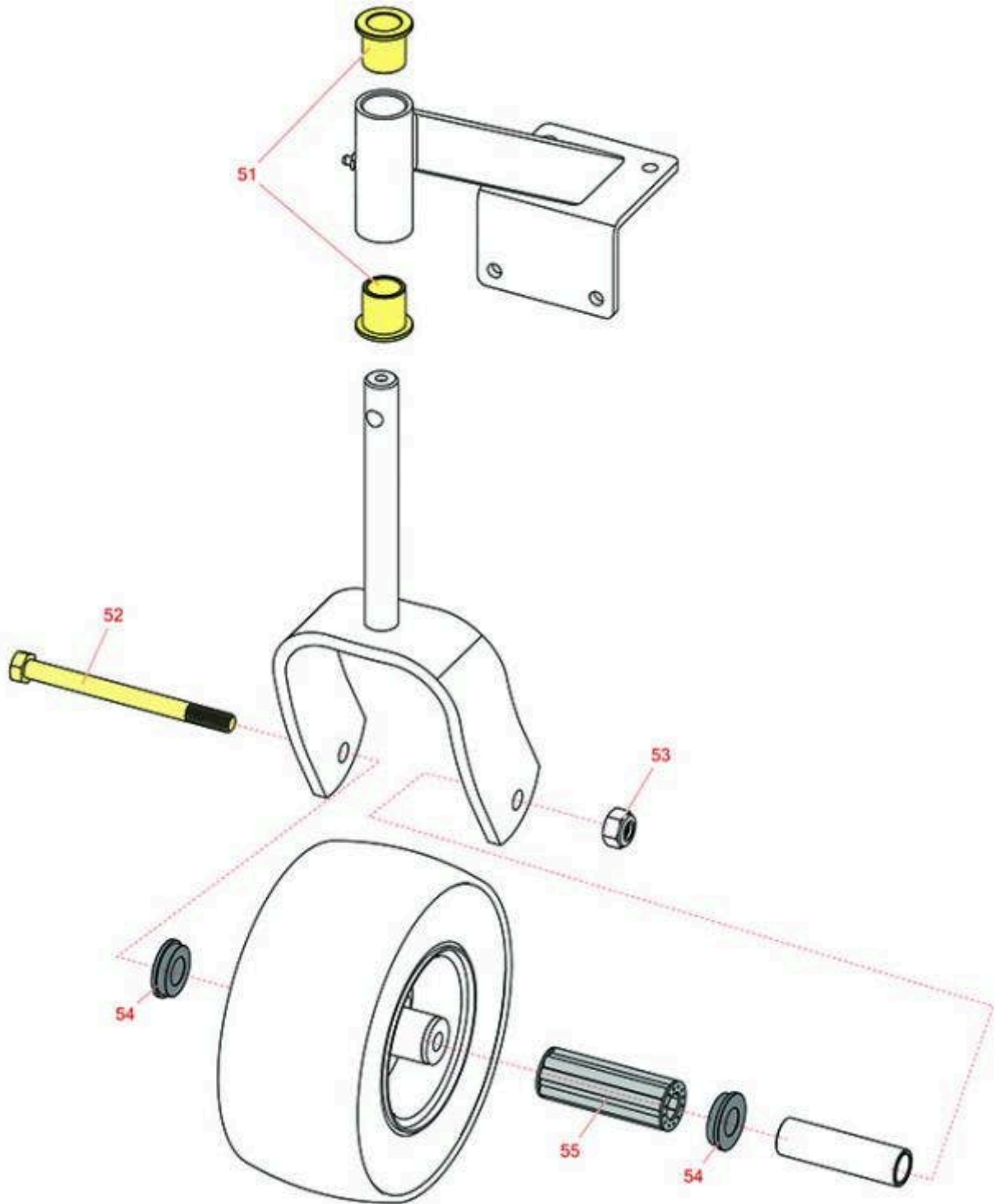


# Replaces Exmark Viking Parts

Walk Behind Mower - Model VHS481GKA48300 with 48in

Deck

Caster Wheel



All original equipment manufacturers names and part numbers are used for identification purposes only, and we are in no way implying that our products are original equipment parts. Prices subject to change without notice.



# Replaces Exmark Viking Parts

Walk Behind Mower - Model VHS481GKA48300 with 48in  
Deck  
Caster Wheel



Item No	R&R Part No.	OEM Part No.	Description	Qty Req	Order Quantity
---------	--------------	--------------	-------------	---------	----------------

## Other Parts Available

51	<b>R1-303514</b>	1-303514	Bearing - Flanged	4	
52	<b>R325-20</b>	325-20	Bolt - Hx HD 1/2-13 x 6	2	
53	<b>R3296-25</b>	3296-45	Locknut - 1/2-13 Heavy ESNA	2	
54	<b>R1-513810</b>	1-513810	Flanged Bushing	4	
55	<b>R1-513809</b>	1-513809	Bearing - Roller 3/4 ID x 3 3/4 Long	2	

All original equipment manufacturers names and part numbers are used for identification purposes only, and we are in no way implying that our products are original equipment parts. Prices subject to change without notice.