

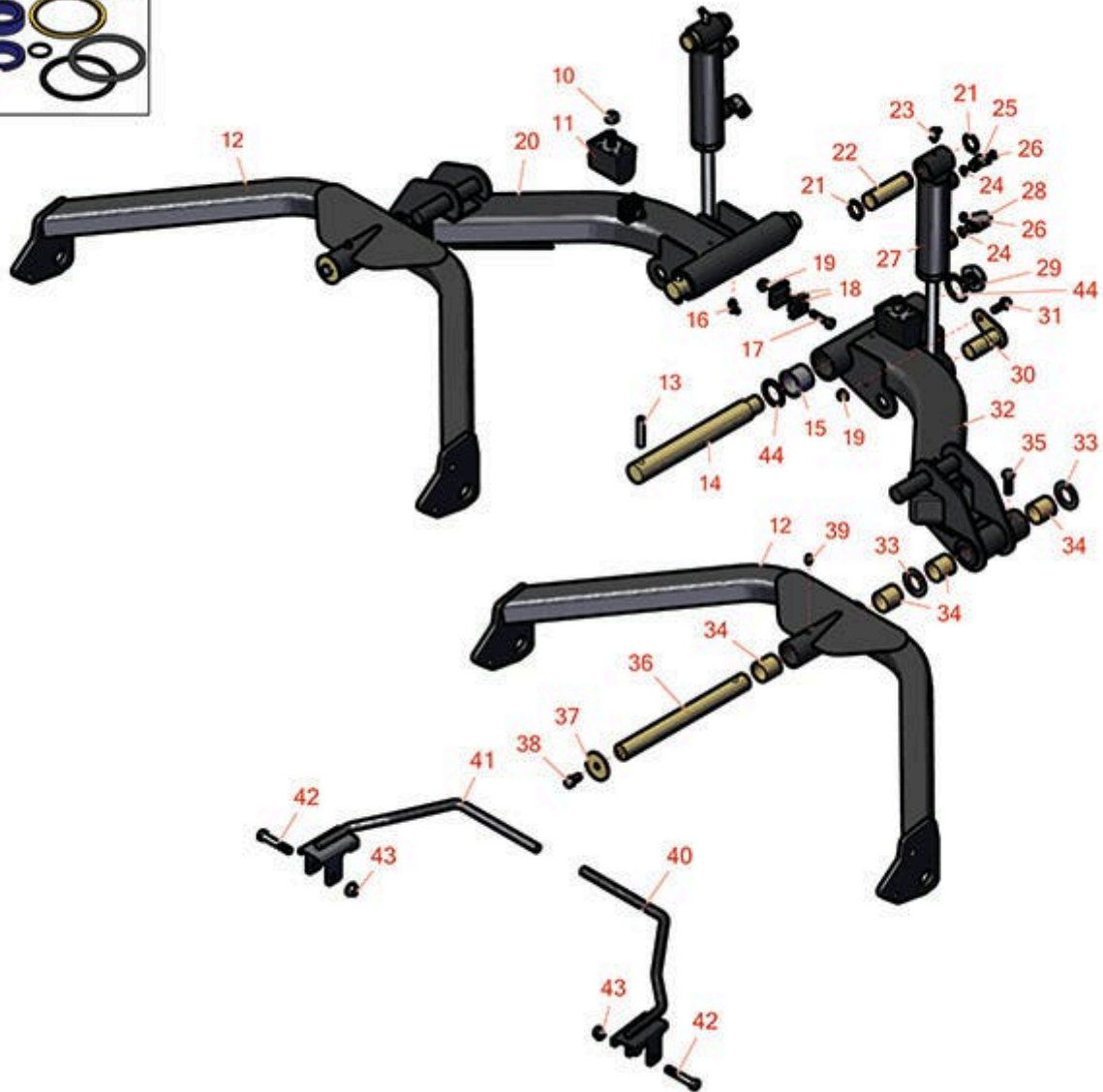


# Replaces Toro Groundsmaster 4500-D

## Parts

Traction Unit - Model 30893

Rear Lift Arm



All original equipment manufacturers names and part numbers are used for identification purposes only, and we are in no way implying that our products are original equipment parts. Prices subject to change without notice.



# Replaces Toro Groundsmaster 4500-D Parts

Traction Unit - Model 30893  
Rear Lift Arm



Item No	R&R Part No.	OEM Part No.	Description	Qty Req	Order Quantity
<b>Overhaul kit</b>					
1	<b>R107-1977</b>	107-1977, 131-7755	Seal Kit	1	
<i>Tech Note: Fits R107-1978 Cylinder:</i>					
<b>Other Parts Available</b>					
10	<b>R33025-00</b>	32025-00, 33025-00	Locknut - 10mm x 1.5 Jam	2	
11	<b>R87-3470</b>	87-3470	Bumper - Rubber	2	
12	<b>R115-3453</b>	104-5656, 115-3453	Carrier Frame Assy	2	
13	<b>R32121-110</b>	32121-110	Roll Pin - Slotted	2	
14	<b>R95-7158</b>	95-7158	Pin - Pivot	2	
15	<b>R104-0015</b>	104-0015, 104-8339	Bushing - Flanged	4	
16	<b>R302-60</b>	302-60	Zerk - Grease 90 Deg.	2	
17	<b>R115-1794</b>	115-1794	Bolt - Hx HD Fl 5/16-18 x 1 1/2	2	
18	<b>R56-7973</b>	56-7973	Clamp - Tube	4	
19	<b>R104-8300</b>	104-8300, 104-8300, 119-4041	Locknut - 5/16-18 Flanged Y/Zinc	2	
20	<b>R105-9203</b>	105-9203	No. 3 Lift Arm Assy	1	
21	<b>R458039</b>	32151-36	Ring - Retaining	4	
22	<b>R92-7548</b>	92-7548	Pin - Cylinder	2	
23	<b>R700414</b>	302-11, 302-19, 302-4, 32-8170	Zerk - Grease 1/4-28 45 Deg	2	

All original equipment manufacturers names and part numbers are used for identification purposes only, and we are in no way implying that our products are original equipment parts. Prices subject to change without notice.



# Replaces Toro Groundsmaster 4500-D Parts

*Traction Unit - Model 30893  
Rear Lift Arm*



Item No	R&R Part No.	OEM Part No.	Description	Qty Req	Order Quantity
24	<b>R237-42</b>	237-42, 31-4160	O-Ring	4	
25	<b>R340-2</b>	340-2, 60-1920	Hydraulic Fitting - Striaight	2	
26	<b>R237-22</b>	107-8844, 237-22, 237-78	O-Ring	4	
27	<b>R107-1978</b>	104-5526, 107-1978	Cylinder - Lift	2	
28	<b>R340-77</b>	340-100, 340-77, 95-7889	Hydraulic Fitting	2	
29	<b>R3296-49</b>	3296-49	Locknut - 1 in 14	2	
30	<b>R104-5525</b>	104-5525, 131-4201, 131-4201`	Cylinder Pin Assy	2	
31	<b>R3234-29</b>	3234-17, 3234-29	Bolt - 5/16-18x1 Serr Hex	2	
32	<b>R105-9202</b>	105-9202	No. 2 Lift Arm Assy	1	
33	<b>R3-6781</b>	3-6781	Washer - Thrust - Castor Wheel	4	
34	<b>R108-4000</b>	108-4000	Bushing	8	
35	<b>R400264</b>	01-150-0180, 01-178-0610, 20-48-AD, 20-48-AGD, 32-9160, 3224-3, 323-29, 323-7, 400264, 908035P	Bolt - Hex HD 3/8-16 x 1-1/4	2	
36	<b>R105-9827</b>	105-9827	Shaft	2	

All original equipment manufacturers names and part numbers are used for identification purposes only, and we are in no way implying that our products are original equipment parts. Prices subject to change without notice.



# Replaces Toro Groundsmaster 4500-D Parts

Traction Unit - Model 30893  
Rear Lift Arm



Item No	R&R Part No.	OEM Part No.	Description	Qty Req	Order Quantity
37	<b>R63-7400</b>	63-7400	Washer - Rebound	2	
38	<b>R400258</b>	01-150-0800, 01-178-0600, 01-178-0606, 20-45-AD, 31-0200, 31-9910, 3224-1, 323-4	Bolt - Hex HD 3/8-16 x 3/4	2	
39	<b>R302-5</b>	21-6010, 302-11, 302-37, 302-47, 302-5, 302-57, 302-58, 302-6, 31-0300, 32-9660, 60-0800, 62-3880, 92-4181	Fitting - Grease	2	
40	<b>R112-9902-03</b>	112-9900-03, 112-9902-03	Foot Guard Assy - LH	1	
41	<b>R112-9901-03</b>	112-9900-03, 112-9901-03	Foot Guard Assy - RH	1	
42	<b>R323-11</b>	01-150-1440, 01-178-0618, 20-52-AD, 3224-7, 323-11	Bolt - 3/8-16 x 2 1/4 GR5	4	
43	<b>R104-8301</b>	104-8301, 104-9301, 109-6658, 133-7570	Locknut - 3/8-16 Nylon Flanged	11	
44	<b>R76-2980</b>	76-2980	Washer - Thrust	6	

All original equipment manufacturers names and part numbers are used for identification purposes only, and we are in no way implying that our products are original equipment parts. Prices subject to change without notice.