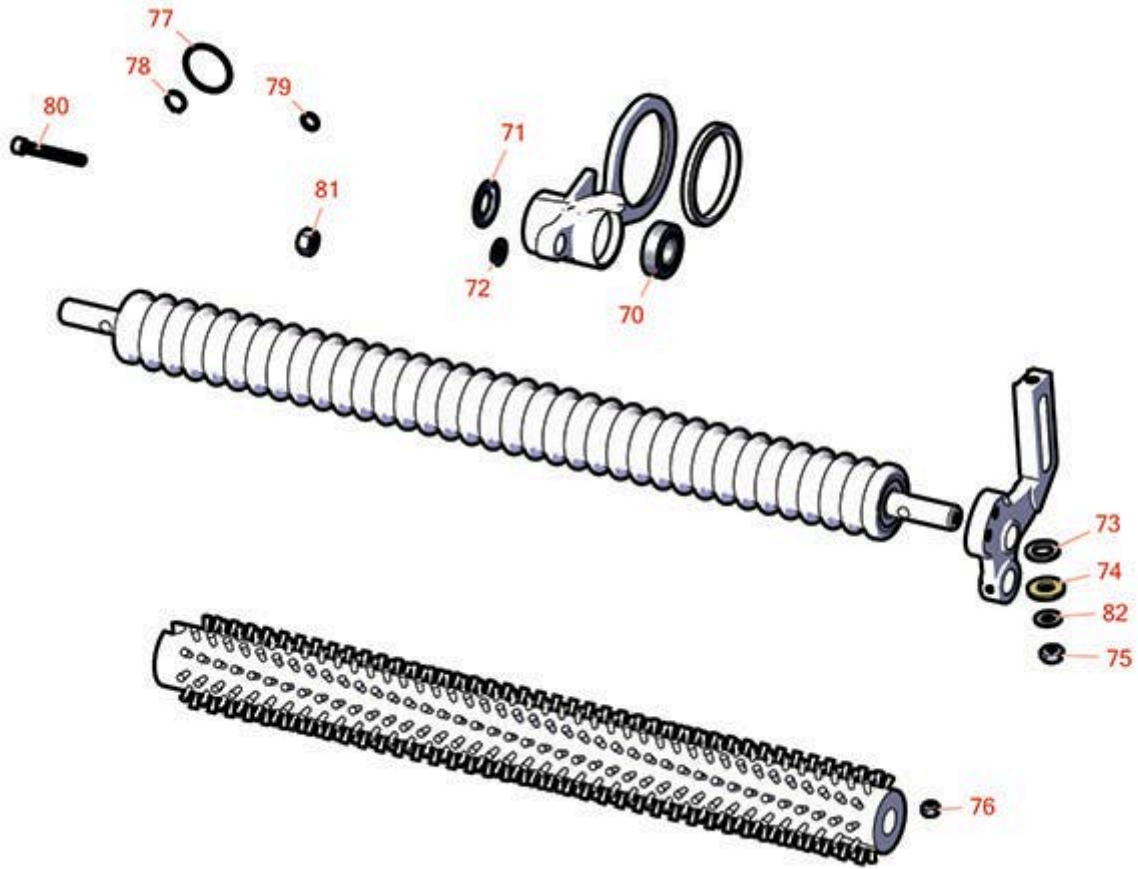




# Replaces Toro Greensmaster 1026 Parts

Mower - Model 04840

Universal Groomer Drive - Model 04707



All original equipment manufacturers names and part numbers are used for identification purposes only, and we are in no way implying that our products are original equipment parts. Prices subject to change without notice.



# Replaces Toro Greensmaster 1026 Parts

Mower - Model 04840

Universal Groomer Drive - Model 04707



| Item No | R&R Part No.     | OEM Part No.   | Description                  | Qty Req | Order Quantity |
|---------|------------------|--|------------------------------|---------|----------------|
| 70      | <b>R115-6869</b> | 115-6869   | Bearing - Ball -Stainless    | 2       |                |
| 71      | <b>R115-6923</b> | 115-6923   | Shield - Bearing - Flocked   | 2       |                |
| 72      | <b>R94-6936</b>  | 94-6936,<br>94-9236  | Washer - Hardened - 5/16 SAE | 1       |                |
| 73      | <b>R62-7120</b>  | 62-7120  | Washer                       | 2       |                |
| 74      | <b>R98-5975</b>  | 98-5975  | Washer - Belleville          | 2       |                |
| 75      | <b>R3296-29</b>  | 1-804256,<br>3290-357,<br>3296-29,<br>915662P  | Locknut - 5/16-18 ESNA       | 2       |                |
| 75      | <b>R3296-39</b>  | 32127-25,<br>32128-36,<br>3290-357,<br>3296-17,<br>3296-22,<br>3296-39,<br>915663P,<br>99-7443           | Locknut - 3/8-16 Nylon       | 2       |                |
| 75      | <b>R32128-43</b> | 30-8990,<br>32128-43,<br>3290-357  | Nut - Flanged Whiz - 3/8-16  | 2       |                |
| 75      | <b>R32153-3</b>  | 119-4038,<br>22-12-AJFD,<br>32127-35,<br>32146-5,<br>32153-3,<br>3296-18,<br>3296-29,<br>3296-31,<br>N/A | Locknut - 5/16-18 ESNA Zinc  | 2       |                |
| 76      | <b>R3296-56</b>  | 3296-56  | Nut - Lock - 1/4-20 ESNA Jam | 2       |                |
| 77      | <b>R340-64</b>   | 340-64   | O-Ring - Seal                | 1       |                |
| 78      | <b>R458006</b>   | 32151-61   | Ring - Retaining             | 1       |                |

All original equipment manufacturers names and part numbers are used for identification purposes only, and we are in no way implying that our products are original equipment parts. Prices subject to change without notice.



# Replaces Toro Greensmaster 1026 Parts

Mower - Model 04840

Universal Groomer Drive - Model 04707



| Item No | R&R Part No.     | OEM Part No.   | Description                          | Qty Req | Order Quantity |
|---------|------------------|--|--------------------------------------|---------|----------------|
| 79      | <b>R237-22</b>   | 107-8844,<br>237-22,<br>237-78   | O-Ring                               | 1       |                |
| 80      | <b>R119-4035</b> | 119-4035   | Bolt - 1/4-20 x 1 3/4 Soc HD Cap Scr | 4       |                |
| 81      | <b>R121-4600</b> | 121-4600   | Locknut - 3/8-16 Hx HD Jam Nylon Ins | 1       |                |
| 82      | <b>R453009</b>   | 01-166-0400,<br>24-10-BD,<br>24-9-AD,<br>32-9650,<br>3256-2,<br>3256-23,<br>3256-3,<br>3256-67,<br>3290-217,<br>3556-3,<br>4-2390,<br>7-0152   | Washer - Flat 5/16 SAE               | 2       |                |
| 82      | <b>R453011</b>   | 01-166-0100,<br>01-166-0120,<br>01-166-0270,<br>01-166-0500,<br>01-166-0600,<br>01-166-0620,<br>132-4593,<br>2356-3,<br>237-12,<br>24-10-AD,<br>24-11-AD,<br>24-11-BD,<br>24-12-AD,<br>24-12-BD,<br>30-9310,<br>32-8190,<br>3256-24,<br>3256-3,<br>3256-36,<br>3256-4,<br>453011,<br>47-9950,<br>48-9220,<br>513458,<br>7-0052 | Washer - Flat 3/8 SAE Y/Zinc         | 2       |                |

All original equipment manufacturers names and part numbers are used for identification purposes only, and we are in no way implying that our products are original equipment parts. Prices subject to change without notice.