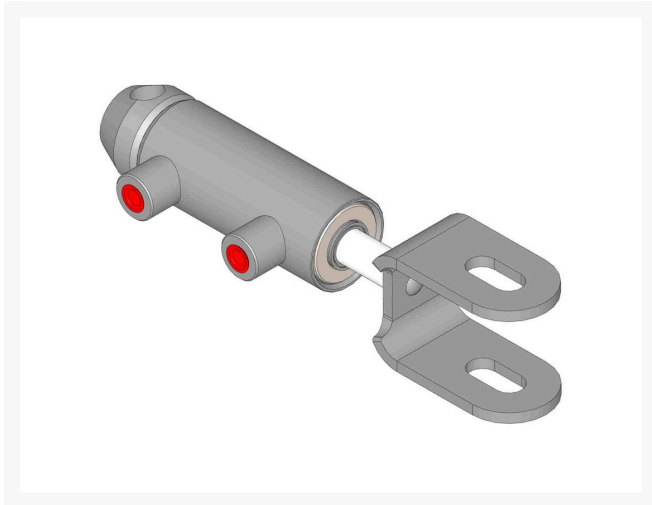




# Hydraulic Cylinder - Center Lift

RAMT2493



## Replaces

John Deere	AMT2493, TCA14441
R&R Products	RTCA14441

## Specifications

Manufacturer	R&R Products
--------------	--------------

## Fits Models

John Deere 2500 Riding Greens Mower  
John Deere 2500A Riding Greens Mower  
John Deere 2500E Riding Greens Mower

## Replacement Parts

RAMT2567	Seal Kit - Fits Hyd Cylinder
RMT6035	Orifice - Front .026 Rear Lift Cyl
RMT6036	Orifice - Rear .031 Rear Lift Cyl

**TURF MACHINERY SPARES LTD**

3a Monument Way West Woking, GU21 5EN  
01483 764467

<https://turfmachinery.rrproducts.com/>