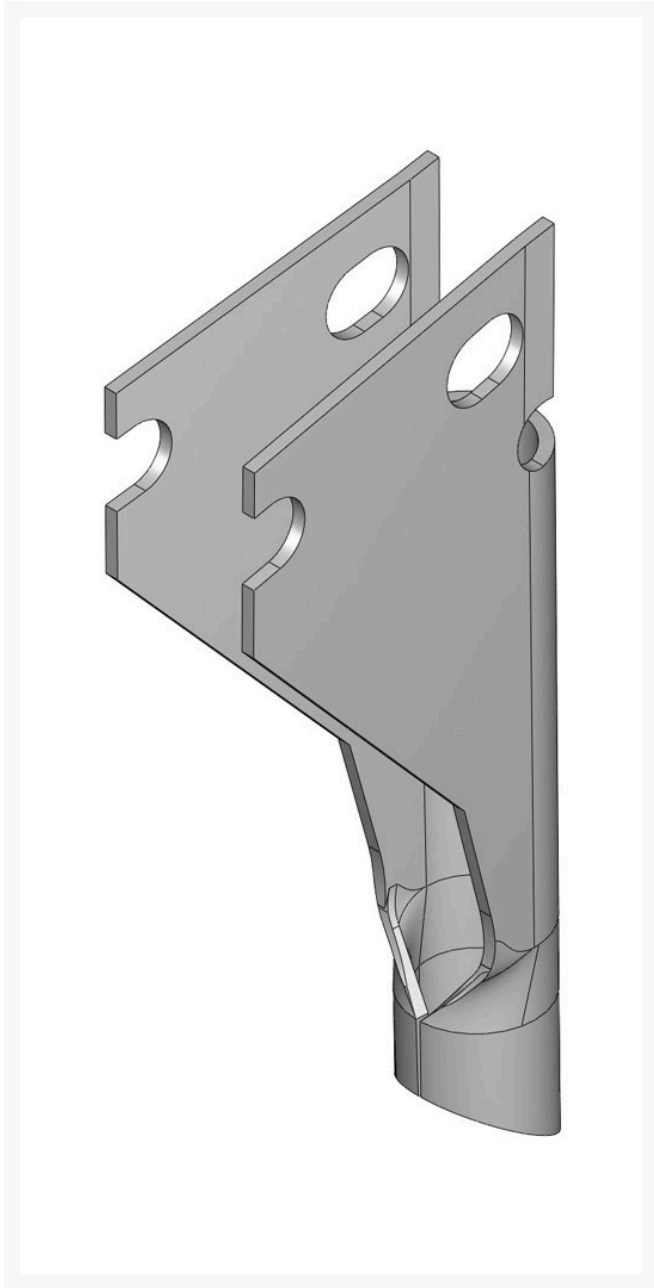




Spoon - 3/4 Closed

R01-283-0060



Replaces

R&R Products	R108-9298, R108-9299
Toro	01-283-0060, 108-9298, 108-9299
Toro - Olathe	01-283-0060

Specifications

Manufacturer	R&R Products
A - Tine Type	Alloy Spoon
B - Tine Mounting Dia.	-
C - Tine Length	7 in (178mm)
D - Tine Tip Outside (Hole) Dia.	.875 in (22mm)
E - Tine Tip Inside (Core) Dia.	.750 in (19.1mm)
F - Tine Wall Thickness	.104 in (2.6mm)

Fits Models

- Toro Turf Aerator 686
- Toro Turf Aerator 687
- Toro-Olathe Fairway Aerator

TURF MACHINERY SPARES LTD

3a Monument Way West Woking, GU21 5EN
01483 764467

<https://turfmachinery.rrproducts.com/>