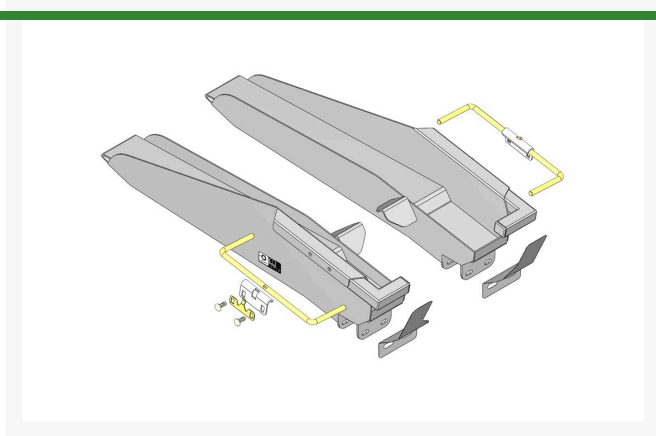
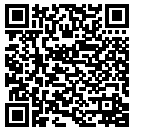




# Flat Ramp Kit - Black

R04245B



## Details

Secure loading ramp with safety latch for use during transport. When loading and unloading, front rollers are protected with a rubbed pad surface.

## Specifications

Manufacturer R&R Products

## Replacement Parts

R105-5394	Rod - Wheel Lock
R106-5354	Latch - Wheel Lock
R107-8183	Ramp Kit - LH - Black
R107-8184	Ramp Kit - RH - Black
R108-3156	Bracket - Wheel Lock
R32128-21	Locknut - Flanged
	3/8-16 Whiz Top Lock
R3231-2	Bolt - Carriage 3/8-16 x 1

## TURF MACHINERY SPARES LTD

3a Monument Way West Woking, GU21 5EN  
01483 764467

<https://turfmachinery.rrproducts.com/>