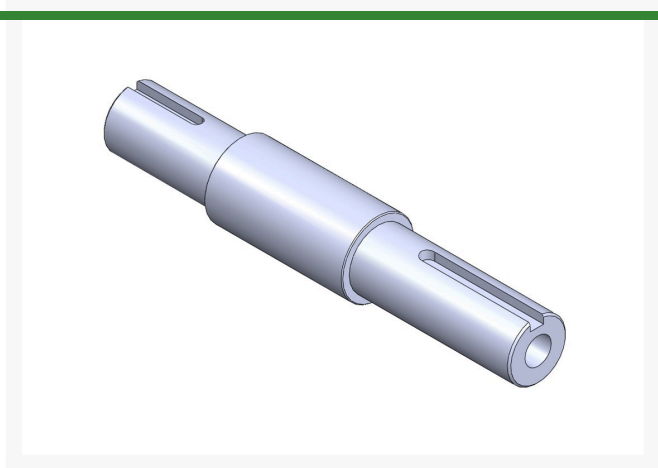




Shaft - Spindle

R076877



Replaces

Excel	076877
R&R Products	R712364

Specifications

Manufacturer	R&R Products
--------------	--------------

Fits Models

Excel Hustler

TURF MACHINERY SPARES LTD

3a Monument Way West Woking, GU21 5EN
01483 764467

<https://turfmachinery.rrproducts.com/>