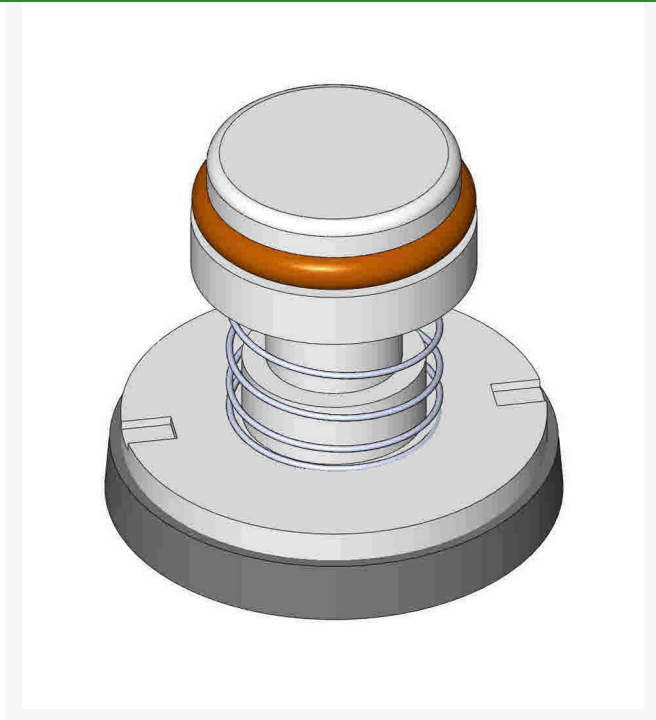




Shurflo Check Valve Kit - Viton

RHY94-374-05



Specifications

Manufacturer

Pentair Shurflo

TURF MACHINERY SPARES LTD

3a Monument Way West Woking, GU21 5EN
01483 764467

<https://turfmachinery.rrproducts.com/>