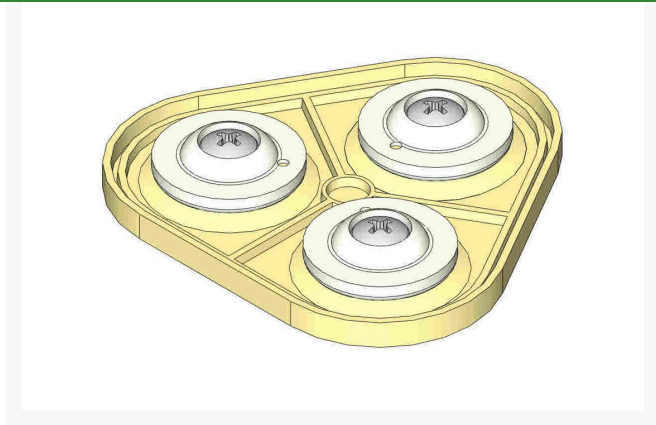




Shurflo Pressure Switch Kit - Viton

RHY94-375-05



Details

Standard pump 60 psi Demand Switch 1.8 GPM To Fit: RHY8000-543-236

Specifications

Manufacturer

Pentair Shurflo

TURF MACHINERY SPARES LTD

3a Monument Way West Woking, GU21 5EN
01483 764467

<https://turfmachinery.rrproducts.com/>