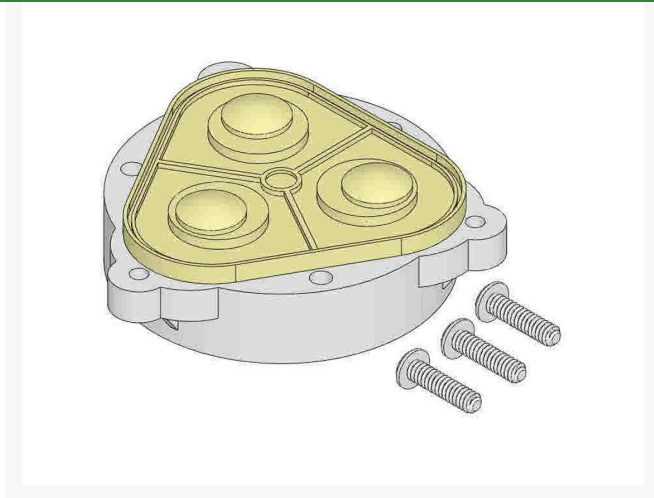




# Shurflo Diaphragm w/Drive Housing - New Style

RHY94-385-32



## Specifications

Manufacturer	Pentair Shurflo
Manufacturer's Model No	94-385-32

**TURF MACHINERY SPARES LTD**

3a Monument Way West Woking, GU21 5EN  
01483 764467

<https://turfmachinery.rrproducts.com/>