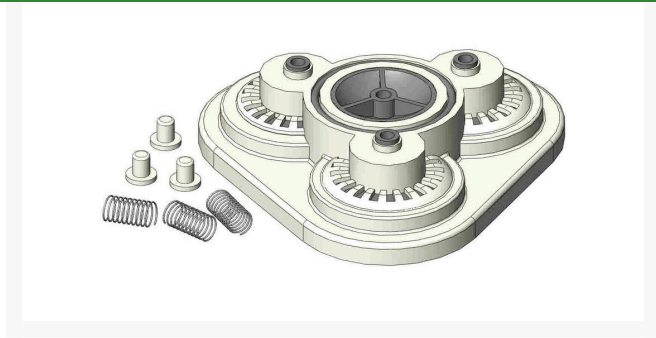




Shurflo Bypass Valve Assembly

RHY94-391-09



Specifications

Manufacturer

Pentair Shurflo

Manufacturer's

94-391-09

Model No

TURF MACHINERY SPARES LTD

3a Monument Way West Woking, GU21 5EN

01483 764467

<https://turfmachinery.rrproducts.com/>