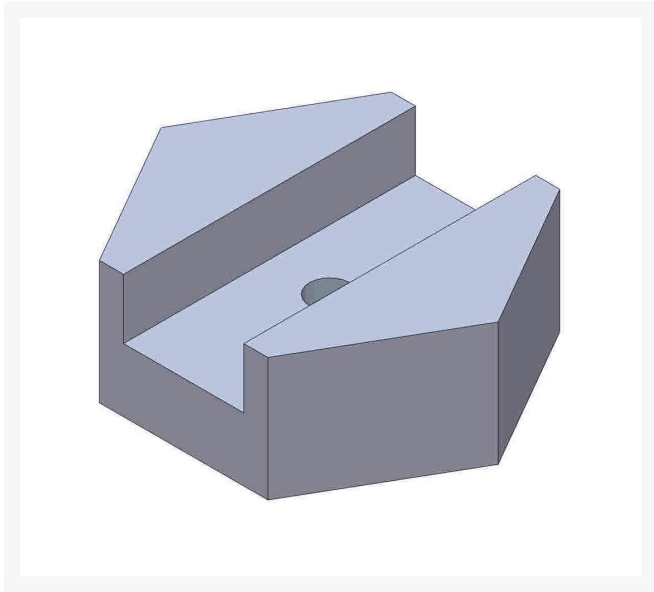




# Orfice - Rear .070 Front Lift Cyl RMT6384



### Replaces

John Deere MT6384

### Specifications

Manufacturer R&R Products

### Fits Models

John Deere 2500 Riding Greens Mower  
John Deere 2500A Riding Greens Mower  
John Deere 2500B Riding Greens Mower  
John Deere 2500E Riding Greens Mower  
John Deere 2500E Hybrid Riding Greens Mower

**TURF MACHINERY SPARES LTD**

3a Monument Way West Woking, GU21 5EN  
01483 764467

<https://turfmachinery.rrproducts.com/>