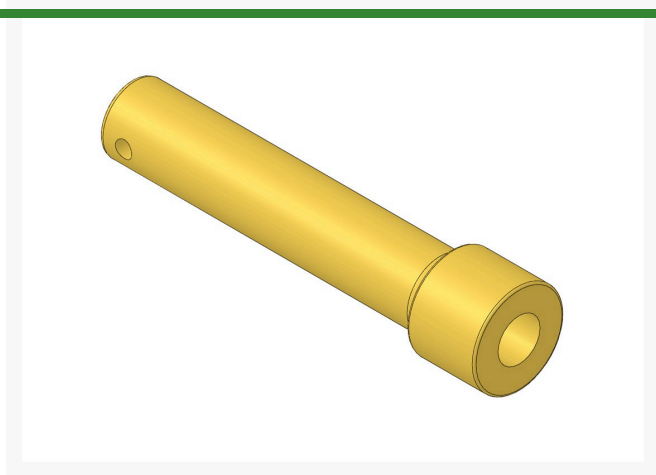




Mandrel - Bearing

R303558M



Details

R&R Mandrels allow proper installation of races, seals, bushings and bearings. Tools are constructed of solid steel and precision machined for exact fit.

Specifications

Manufacturer

R&R Products

TURF MACHINERY SPARES LTD

3a Monument Way West Woking, GU21 5EN
01483 764467

<https://turfmachinery.rrproducts.com/>