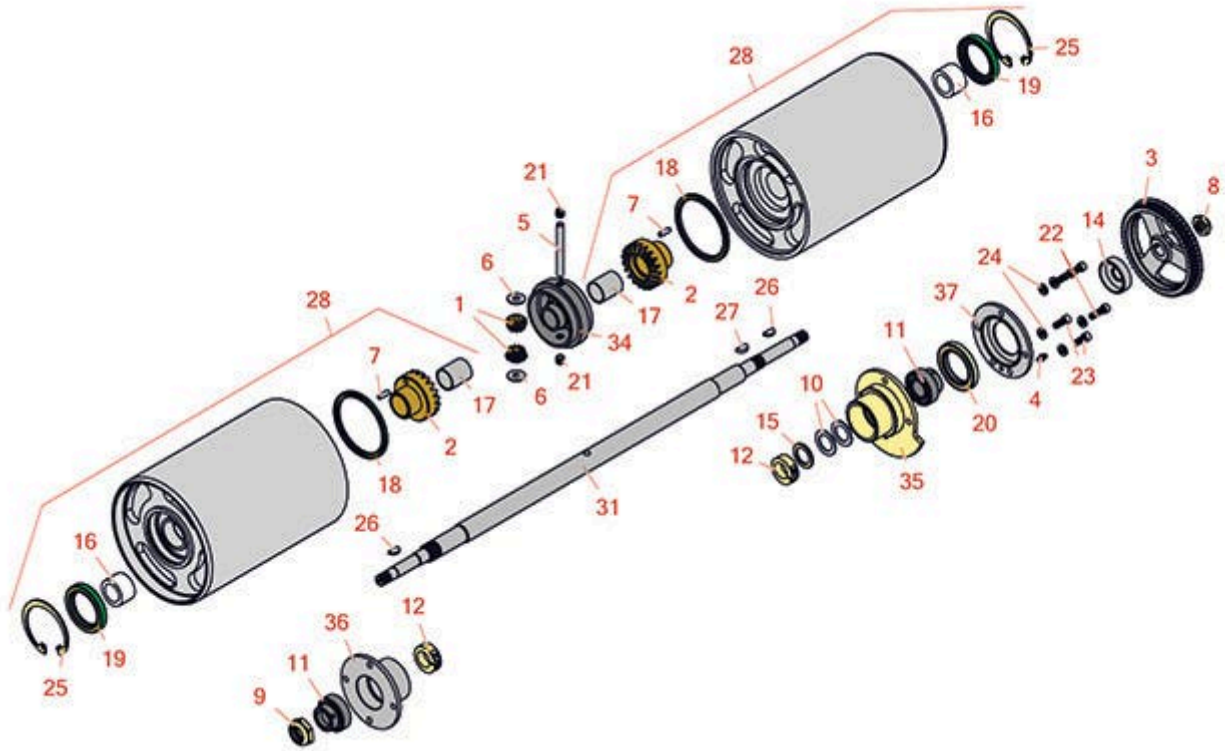




Replaces Jacobsen Eclipse 118 Parts

Traction Unit
Differential



All original equipment manufacturers names and part numbers are used for identification purposes only, and we are in no way implying that our products are original equipment parts. Prices subject to change without notice.



Replaces Jacobsen Eclipse 118 Parts

Traction Unit

Differential

OEM



Item No	R&R Part No.	OEM Part No.	Description	Qty Req	Order Quantity
1	R202947	202947	Gear - Pinion	2	
2	R241836	241836	Gear - Differential	2	
3	R3004484	3004484	Pulley - 56 Tooth	1	
4	R302-5	302-5, 471214, 471223, 471226	Fitting - Grease	1	
5	R308028	308028	Pin - Hardened Traction Shaft	1	
6	R308030	308030	Thrust Washer - 3/8 x 1	2	
7	R319085	319085	Pin - Gear	2	
8	R3296-15	3296-15, 367029, 444742	Locknut - 3/4-16 Nylon Jam	1	
9	R3296-49	2810096	Locknut - 1 in 14	1	
10	R361451	361451	Flat Washer 1 x 1-1/2 Hardened Thrust	2	
11	R366693	366693	Bearing - Differential	2	
12	R366695	366695	Locking Collar	2	
14	R366696	366696	Spacer - Differential	1	
15	R366697	366697	Spacer - Bronze Thrust	2	
16	R366698	366698	Bushing - Drum	2	
17	R366699	366699	Bushing - Differential	2	
18	R366700	366700	Seal - Grease	2	
19	R366701	366701	Seal - Grease	2	
20	R366702	366702	Seal - Oil	1	
21	R415563	415563	Set Screw - 7/16-20 x 3/8	2	

All original equipment manufacturers names and part numbers are used for identification purposes only, and we are in no way implying that our products are original equipment parts. Prices subject to change without notice.



Replaces Jacobsen Eclipse 118 Parts

Traction Unit

Differential



Item R&R

No **Part No.**

OEM

Part No. Description

Qty
Req

**Order
Quantity**

22	R434004	434003, 434004	Screw - Soc HD 5/16-18 x 1	3	
23	R434024	434024	Bolt - Soc HD Cap 5/16-18 x 3/4	2	
24	R446136	446134, 446136	Washer - Lock 5/16 Zinc	5	
25	R458127	458127	Snap Ring	2	
26	R463007	463007	Key	2	
27	R463017	463017	Key - Woodruff	1	
28	R1000024	1000024	Smooth Roller - Fits 18 in	2	
31	R395419	395419	Roller Shaft - Fits 18 in	1	
34	R241835	241835	Differential	1	
35	R220318	220318	Bearing Housing - Differential	1	
36	R220319	220319	Bearing Housing - Differential	1	
37	R164057	164057	Seal Cover	1	

All original equipment manufacturers names and part numbers are used for identification purposes only, and we are in no way implying that our products are original equipment parts. Prices subject to change without notice.