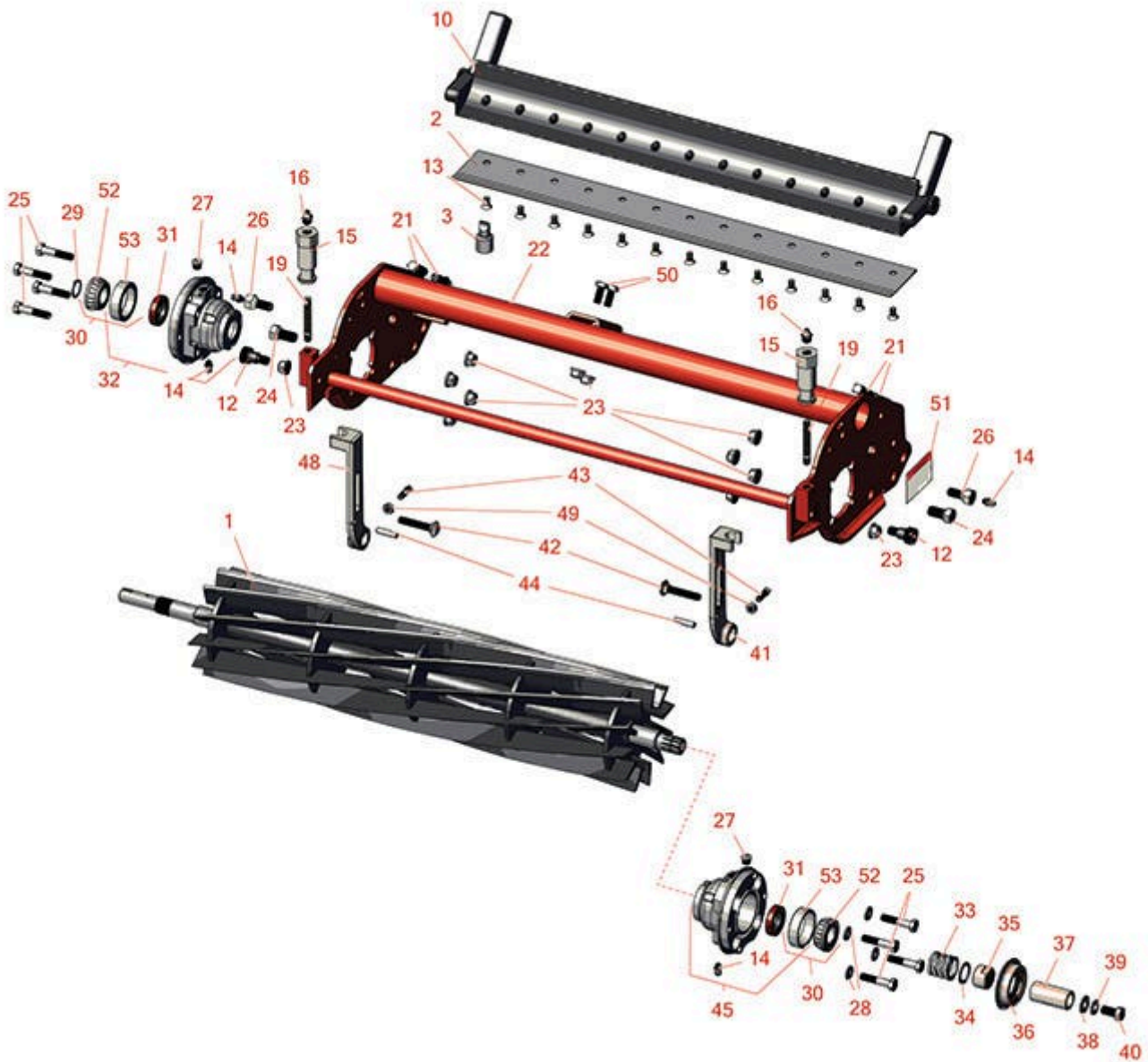




# Replaces Jacobsen Eclipse 122F Parts

Floating Head Cutting Unit  
Reel & Bedknife



All original equipment manufacturers names and part numbers are used for identification purposes only, and we are in no way implying that our products are original equipment parts. Prices subject to change without notice.



# Replaces Jacobsen Eclipse 122F Parts

Floating Head Cutting Unit  
Reel & Bedknife



Item No	R&R Part No.	OEM Part No.	Description	Qty Req	Order Quantity
---------	--------------	--------------	-------------	---------	----------------

## R&R Reels, Lifetime Guaranteed

1	R506636	5000028, 5001101, 506636	Reel - 11 Blade LH	1	
1	R101357		Reel - 14 Blade	1	

## R&R Bedknives, Lifetime Guaranteed

2	R5002887	5002887	Bedknife - Micro Cut - .082-.109	1	
2	R503478	101260, 503028, 503478, 549504	Bedknife - Thin .125-.219 HOC	1	
2	R503477	101261, 503027, 503477, 549397	Bedknife - Thick .156-.438 HOC	1	

## R&R Razor Tool Steel Bedknives, Lifetime Guaranteed

2	R101520		Bedknife - Razor Tool Steel - 22 Micro Cut	1	
2	R101521		Bedknife - Razor Tool Steel - 22 Tournament Cut	1	

## Service Tools

3	R101272T		Bedknife Screw Driver Tool	0	
---	----------	--	----------------------------	---	--

*Tech Note: Easily install and remove bed knife screws with the help of a ratchet. Tool manufactured with hardened alloy steel.:*

## Other Parts Available

10	R220278	121856, 220278, 5000415	Backing Bar - Cast	1	
12	R365246	365246	Bolt - Shoulder w/Nyloc Patch	2	

All original equipment manufacturers names and part numbers are used for identification purposes only, and we are in no way implying that our products are original equipment parts. Prices subject to change without notice.



# Replaces Jacobsen Eclipse 122F Parts

Floating Head Cutting Unit  
Reel & Bedknife



Item No	R&R Part No.	OEM Part No.	Description	Qty Req	Order Quantity
13	<b>R101272</b>	101272, 3009138, 402578, 800813	Screw - Bedknife 1/4-20 x 1/2	13	
14	<b>R302-5</b>	302-5, 471214, 471223, 471226	Fitting - Grease	1	
15	<b>R365009</b>	3005692, 365009, 365170, 441674	Knob - Adjusting Roller	2	
16	<b>R471219</b>	366852, 471219	Zerk - Grease	2	
19	<b>R343616</b>	343616, 443102	Stud	2	
21	<b>R412506</b>	412503, 412506	Screw - Bed Bar Adjusting	4	
22	<b>R5002577</b>	5002577	Frame - Reel	1	
23	<b>R445795</b>	445795	Nut - 5/16-18 Flanged	8	
24	<b>R315298</b>	315298	Bolt - Bed Bar	2	
25	<b>R400192</b>	400192	Bolt - Hex HD 5/16-18 x 1-1/2	8	
26	<b>R1002224</b>	1002224	Bolt - Rear Roller 3/8-24	2	
<i>Tech Note: Incl Grease Zerk:</i>					
27	<b>R170714</b>	170714, 471240, 471242	Fitting - Pressure Relief	1	
28	<b>R453009</b>	3256-23, 452004, 452006, 452008, 453009	Washer - Flat 5/16 SAE	4	

All original equipment manufacturers names and part numbers are used for identification purposes only, and we are in no way implying that our products are original equipment parts. Prices subject to change without notice.



# Replaces Jacobsen Eclipse 122F Parts

Floating Head Cutting Unit  
Reel & Bedknife



Item No	R&R Part No.	OEM Part No.	Description	Qty Req	Order Quantity
29	<b>R458013</b>	458013	Ring - Retaining	1	
30	<b>R500534</b>	500534, R500534	Bearing - with Cup	1	
31	<b>R336962</b>	336962	Seal	1	
32	<b>R1004756</b>	1004756	Housing - Bearing Drive End	1	
<i>Tech Note: Includes: R336962 Seal, R170714 Fitting, R302-5 Zerk &amp; R254-79 Cup:</i>					
33	<b>R5002151</b>	5002151	Hardware Kit - Spring/Washer	1	
<i>Tech Note: Includes 1 ea: R304745 Washer, R363047 Spring:</i>					
34	<b>R304745</b>	304745	Washer - Reel	1	
35	<b>R364900</b>	364900	Nut - Reel Tension	1	
36	<b>R163398</b>	163398, 163892	Seal - Spacer Assy	1	
37	<b>R367164</b>	367164	Spacer - Reel	1	
38	<b>R453011</b>	453011	Washer - Flat 3/8 SAE Y/Zinc	1	
39	<b>R3254-6</b>	3254-6, 446140, 446142	Washer - Lock 3/8	1	
40	<b>R400294</b>	400294	Screw - 3/8 24 x 3/4 Hex C/Zinc	1	
41	<b>R153979</b>	153979, 3008439	Bracket - Front Roller	1	
42	<b>R441674</b>	441674	Screw - 5/16-18 x 1-3/4 Carriage	2	
43	<b>R352737</b>	352737	Screw - Set 1/4 x 7/8 Sq Head	2	
44	<b>R461256</b>	461256	Pin - 1/4 x 1	1	

All original equipment manufacturers names and part numbers are used for identification purposes only, and we are in no way implying that our products are original equipment parts. Prices subject to change without notice.



# Replaces Jacobsen Eclipse 122F Parts

Floating Head Cutting Unit  
Reel & Bedknife



Item No	R&R Part No.	OEM Part No.	Description	Qty Req	Order Quantity
45	<b>R164144</b>	1000480, 163397, 164144, 2000060	Housing - Reel Bearing	1	
<i>Tech Note: Includes R336962 Seal, R302-5 Zerk, R170714 Relief Fitting &amp; R254-79 Cup:</i>					
48	<b>R153980</b>	153980, 3008438	Bracket - Front Roller	1	
49	<b>R443102</b>	443102	Nut - 1/4-20 Yellow Zinc	4	
50	<b>R400184</b>	400184, 400194	Screw - 5/16-18 x 3/4 Hex	2	
51	<b>R1000997</b>	1000997	Decal - Warning	1	
52	<b>R254-78</b>	254-78, 385174, 4121174, 4135152	Tapered Bearing Cone	2	
53	<b>R254-79</b>	254-79, 4121175	Cup - Bearing	2	

*Tech Note: Use R254-79M installation mandrel to properly install race.:*

All original equipment manufacturers names and part numbers are used for identification purposes only, and we are in no way implying that our products are original equipment parts. Prices subject to change without notice.