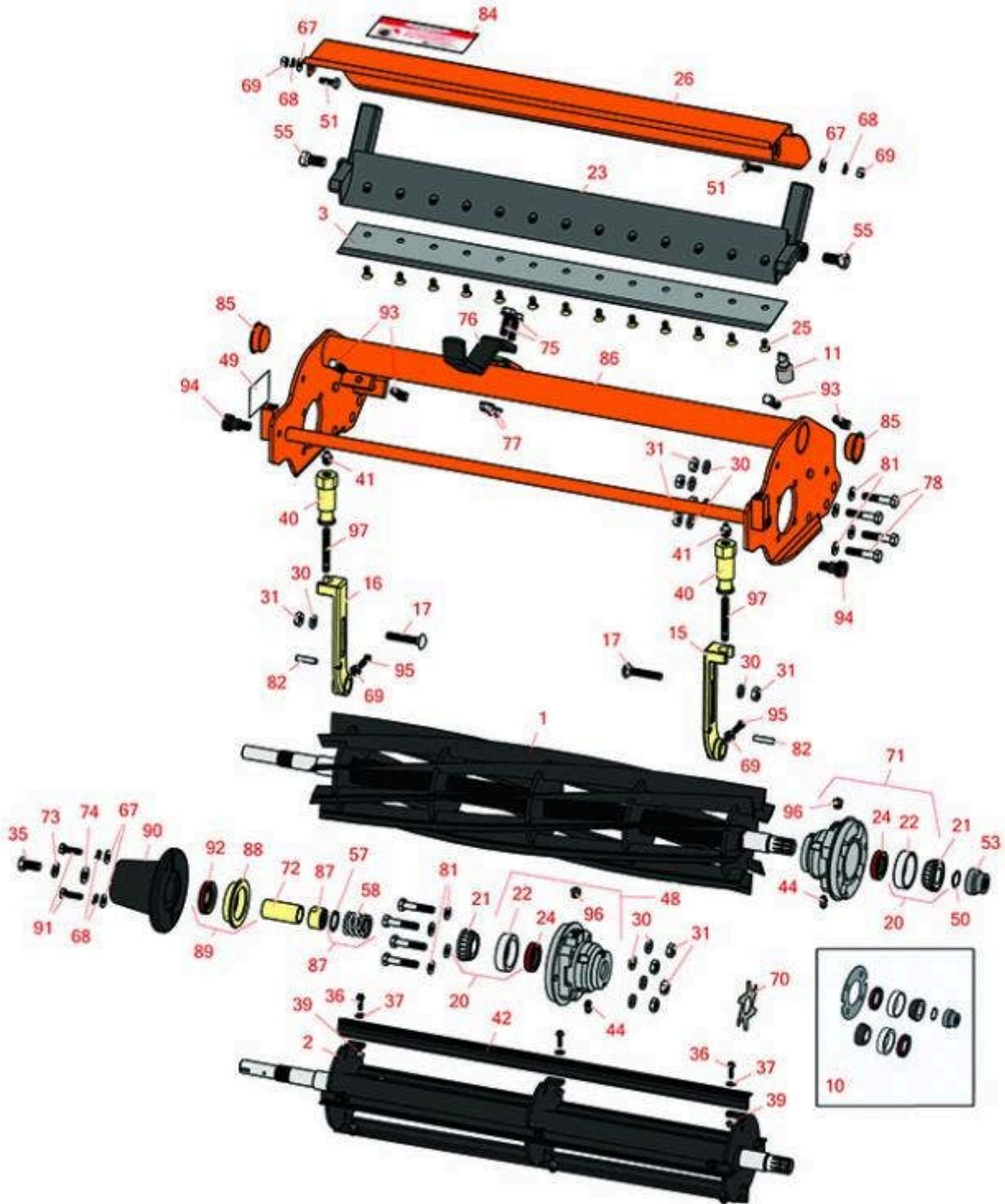




# Replaces Jacobsen E-Plex Parts

Cutting Unit  
Reel & Bedknife



All original equipment manufacturers names and part numbers are used for identification purposes only, and we are in no way implying that our products are original equipment parts. Prices subject to change without notice.



# Replaces Jacobsen E-Plex Parts

Cutting Unit  
Reel & Bedknife



Item No	R&R Part No.	OEM Part No.	Description	Qty Req	Order Quantity
---------	--------------	--------------	-------------	---------	----------------

### R&R Reels, Lifetime Guaranteed

1	<b>R503319</b>	5001095, 5003053, 503319	Reel - 7 Blade LH	1	
1	<b>R503375</b>	5001099, 503375	Reel - 9 Blade LH	1	
1	<b>R506636</b>	5000028, 5001101, 506636	Reel - 11 Blade LH	1	
1	<b>R506635</b>	5000029, 5001102	Reel - 11 Blade RH	1	
2	<b>R101491</b>		Brush Reel - LH Keyed Shaft	1	

### R&R Bedknives, Lifetime Guaranteed

3	<b>R5002887</b>	5002887	Bedknife - Micro Cut - .082-.109	1	
3	<b>R4234900</b>	5000927	Bedknife - Tournament .063-.110	1	
3	<b>R503479</b>	503029, 503479	Bedknife - Tournament .094-.156 HOC	1	
3	<b>R503478</b>	101260, 503028, 503478, 549504	Bedknife - Thin .125-.219 HOC	1	
3	<b>R503477</b>	101261, 503027, 503477, 549397	Bedknife - Thick .156-.438 HOC	1	
3	<b>R101262</b>		Bedknife - Super Thick 5/16	1	
3	<b>R503460</b>	503257, 503460	Bedknife - 22 in 13 Hole	1	
3	<b>R5002771</b>	5002771	Bedknife - Low Cut	1	

### R&R Razor Tool Steel Bedknives, Lifetime Guaranteed

All original equipment manufacturers names and part numbers are used for identification purposes only, and we are in no way implying that our products are original equipment parts. Prices subject to change without notice.



# Replaces Jacobsen E-Plex Parts

Cutting Unit  
Reel & Bedknife



Item No	R&R Part No.	OEM Part No.	Description	Qty Req	Order Quantity
---------	--------------	--------------	-------------	---------	----------------

3	R101520		Bedknife - Razor Tool Steel - 22 Micro Cut	1	
---	---------	--	--	---	--

3	R101521		Bedknife - Razor Tool Steel - 22 Tournament Cut	1	
---	---------	--	---	---	--

### Overhaul Kits & Service Tools

10	R100125		Overhaul Kit - Cutting Unit	0	
----	---------	--	-----------------------------	---	--

*Tech Note: Includes 2 ea.: R336962 Seals, R254-78 Bearings, R254-79 Cups; 1 ea.:R337677 Seal, R458013 Ring, R364901Gasket, R337370 Coupling:*

11	R101272T		Bedknife Screw Driver Tool	0	
----	----------	--	----------------------------	---	--

*Tech Note: Easily install and remove bed knife screws with the help of a ratchet. Tool manufactured with hardened alloy steel.:*

### Other Parts Available

15	R153979	153979, 3008439	Bracket - Front Roller	1	
----	---------	--------------------	------------------------	---	--

15	R163231	163231	Bracket - Extra Long - Front Roller	1	
----	---------	--------	-------------------------------------	---	--

16	R153980	153980, 3008438	Bracket - Front Roller	1	
----	---------	--------------------	------------------------	---	--

16	R163232	163232	Bracket - Extra Long - Front Roller	1	
----	---------	--------	-------------------------------------	---	--

17	R441674	441674	Screw - 5/16-18 x 1-3/4 Carriage	2	
----	---------	--------	----------------------------------	---	--

20	R500534	500534, R500534	Bearing - with Cup	2	
----	---------	--------------------	--------------------	---	--

21	R254-78	254-78, 385174, 4121174, 4135152	Tapered Bearing Cone	2	
----	---------	---	----------------------	---	--

22	R254-79	254-79, 4121175	Cup - Bearing	2	
----	---------	--------------------	---------------	---	--

*Tech Note: Use R254-79M installation mandrel to properly install race.:*

All original equipment manufacturers names and part numbers are used for identification purposes only, and we are in no way implying that our products are original equipment parts. Prices subject to change without notice.



# Replaces Jacobsen E-Plex Parts

Cutting Unit  
Reel & Bedknife



Item No	R&R Part No.	OEM Part No.	Description	Qty Req	Order Quantity
23	<b>R220278</b>	121856, 220278, 5000415	Backing Bar - Cast	1	
24	<b>R336962</b>	336962	Seal	2	
25	<b>R101272</b>	101272, 3009138, 402578, 800813	Screw - Bedknife 1/4-20 x 1/2	13	
26	<b>R390950</b>	126724, 2810043, 390950	Shield - Grass	1	
30	<b>R446136</b>	446134, 446136	Washer - Lock 5/16 Zinc	8	
31	<b>R443106</b>	443106	Nut - 5/16-18 Y/Zinc Plated	8	
35	<b>R400294</b>	400294	Screw - 3/8 24 x 3/4 Hex C/Zinc	1	
36	<b>R150425</b>	150425	Bolt - Hex HD 8-32 x 5/8	12	
37	<b>R150426</b>	150426	Washer - 8 SAE	12	
39	<b>R3296-9</b>		Locknut - Comb	12	
40	<b>R365009</b>	3005692, 365009, 365170, 441674	Knob - Adjusting Roller	2	
41	<b>R471219</b>	366852, 471219	Zerk - Grease	2	
42	<b>R150481</b>	150481	Brush Assy - Brush Reel	4	
44	<b>R302-5</b>	302-5, 471214, 471223, 471226	Fitting - Grease	2	

All original equipment manufacturers names and part numbers are used for identification purposes only, and we are in no way implying that our products are original equipment parts. Prices subject to change without notice.



# Replaces Jacobsen E-Plex Parts

Cutting Unit  
Reel & Bedknife



Item No	R&R Part No.	OEM Part No.	Description	Qty Req	Order Quantity
48	<b>R164144</b>	1000480, 163397, 164144, 2000060	Housing - Reel Bearing	1	
<i>Tech Note: Includes R336962 Seal, R302-5 Zerk, R170714 Relief Fitting &amp; R254-79 Cup:</i>					
49	<b>R1000997</b>	1000997	Decal - Warning	2	
50	<b>R458013</b>	458013	Ring - Retaining	1	
51	<b>R321-4</b>	321-4, 400108	Bolt - Hex HD 1/4-20 x 3/4	2	
53	<b>R4247911</b>	162567, 337370, 4247911	Coupling - Hyd Motor - Glass Filled	1	
53	<b>R3001720</b>	3001720	Coupler - Iron - Hyd Motor	1	
55	<b>R315298</b>	315298	Bolt - Bed Bar	2	
57	<b>R304745</b>	304745	Washer - Reel	1	
58	<b>R363047</b>	348846, 363047	Spring - Reel	1	
67	<b>R453023</b>	453023	Washer - Flat 1/4	2	
68	<b>R3253-3</b>	3253-3, 446128, 446130	Washer - Lock 1/4	2	
69	<b>R443102</b>	443102	Nut - 1/4-20 Yellow Zinc	2	
70	<b>R365230</b>	365230	Verti-Cut Blade - 2-1/2 Dia.	85	
71	<b>R1004756</b>	1004756	Housing - Bearing Drive End	1	
<i>Tech Note: Includes: R336962 Seal, R170714 Fitting, R302-5 Zerk &amp; R254-79 Cup:</i>					
72	<b>R367164</b>	367164	Spacer - Reel	1	

All original equipment manufacturers names and part numbers are used for identification purposes only, and we are in no way implying that our products are original equipment parts. Prices subject to change without notice.



# Replaces Jacobsen E-Plex Parts

Cutting Unit  
Reel & Bedknife



Item No	R&R Part No.	OEM Part No.	Description	Qty Req	Order Quantity
73	<b>R3254-6</b>	3254-6, 446140, 446142	Washer - Lock 3/8	2	
74	<b>R453011</b>	453011	Washer - Flat 3/8 SAE Y/Zinc	1	
75	<b>R403751</b>	403751	Bolt - Serrated Washer HD	2	
76	<b>R3010293</b>	3010293	Stop - Mower	1	
77	<b>R445722</b>	445722	Nut - Serrated Washer	2	
78	<b>R400192</b>	400192	Bolt - Hex HD 5/16-18 x 1-1/2	8	
81	<b>R453009</b>	3256-23, 452004, 452006, 452008, 453009	Washer - Flat 5/16 SAE	8	
82	<b>R461256</b>	461256	Pin - 1/4 x 1	2	
84	<b>R354083</b>	354083, 361877, 4127335	Decal - Danger	2	
85	<b>R285-14</b>		Plug - Pipe Frame	2	
86	<b>R122685</b>	119245, 122685, 503325	Frame	1	
86	<b>R5003654</b>	5003654	Frame - Assy	1	
87	<b>R364900</b>	364900	Nut - Reel Tension	1	
87	<b>R5002151</b>	5002151	Hardware Kit - Spring/Washer	1	
<i>Tech Note: Includes 1 ea: R304745 Washer, R363047 Spring:</i>					
88	<b>R363814</b>	163892, 363814	Spacer - Seal	1	
89	<b>R163398</b>	163398, 163892	Seal - Spacer Assy	1	

All original equipment manufacturers names and part numbers are used for identification purposes only, and we are in no way implying that our products are original equipment parts. Prices subject to change without notice.



# Replaces Jacobsen E-Plex Parts

*Cutting Unit  
Reel & Bedknife*



Item No	R&R Part No.	OEM Part No.	Description	Qty Req	Order Quantity
90	<b>R2000065</b>	2000065	Weight - Counter	1	
91	<b>R321-5</b>	321-5, 400110	Bolt - Hex HD 1/4-20 x 7/8	2	
92	<b>R337677</b>	315257, 337677	Seal - Oil	1	
93	<b>R412506</b>	412503, 412506	Screw - Bed Bar Adjusting	4	
94	<b>R365246</b>	365246	Bolt - Shoulder w/Nyloc Patch	2	
95	<b>R352737</b>	352737	Screw - Set 1/4 x 7/8 Sq Head	2	
96	<b>R170714</b>	170714, 471240, 471242	Fitting - Pressure Relief	2	
97	<b>R343616</b>	343616, 443102	Stud	2	

All original equipment manufacturers names and part numbers are used for identification purposes only, and we are in no way implying that our products are original equipment parts. Prices subject to change without notice.