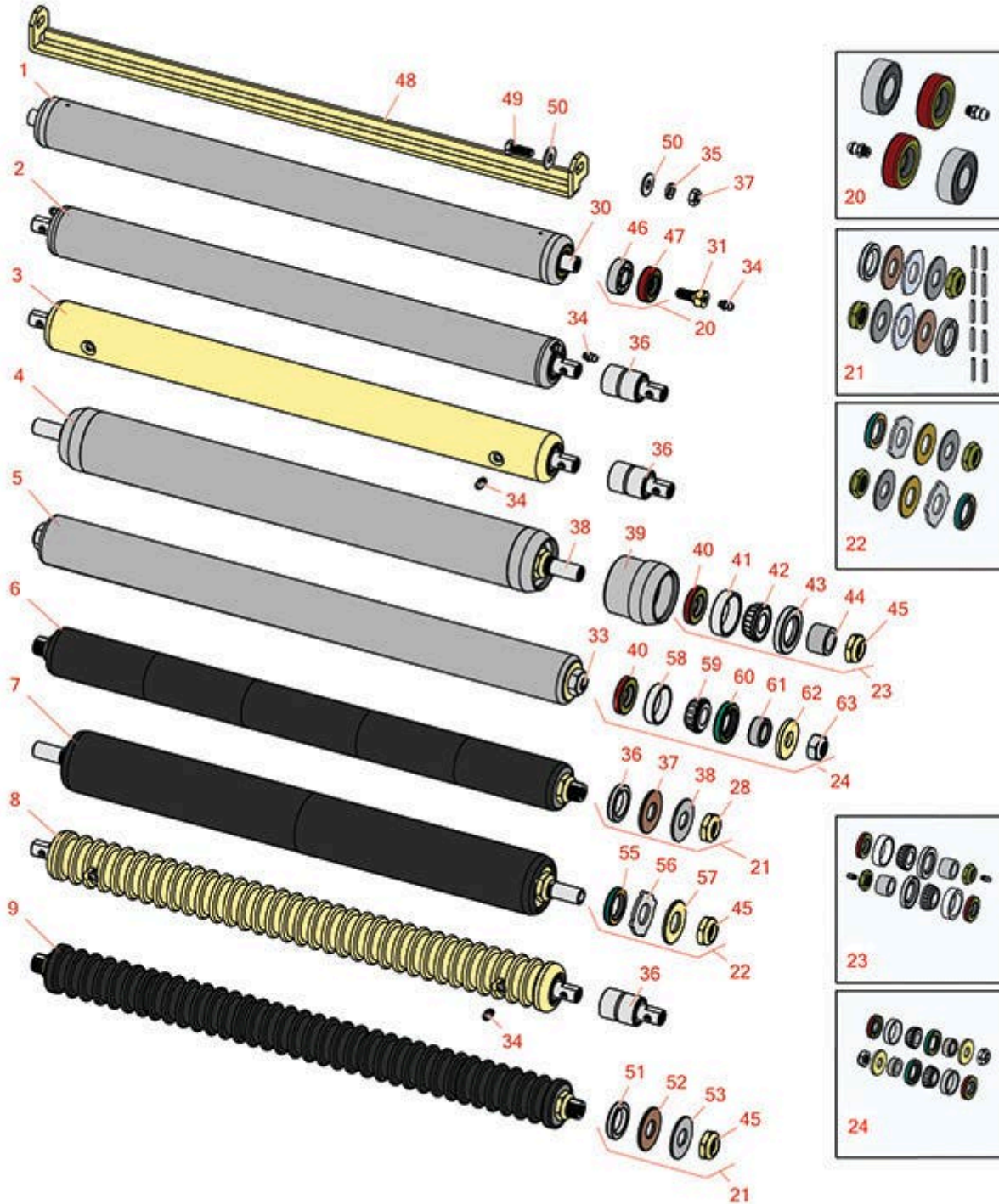




Replaces Jacobsen E-Plex Parts

Cutting Unit
Rear Rollers



All original equipment manufacturers names and part numbers are used for identification purposes only, and we are in no way implying that our products are original equipment parts. Prices subject to change without notice.



Replaces Jacobsen E-Plex Parts

Cutting Unit
Rear Rollers



Item No	R&R Part No.	OEM Part No.	Description	Qty Req	Order Quantity
---------	--------------	--------------	-------------	---------	----------------

R&R Rear Rollers

1	R158777	1004990, 158777, 162916	Roller - Smooth Tubular Steel	0	
---	----------------	-------------------------------	-------------------------------	---	--

Tech Note: Constructed with a through shaft and greasable ball bearings.:

2	R101125		Roller - Smooth Tubular Steel	0	
---	----------------	--	-------------------------------	---	--

Tech Note: Constructed with "water-pump" style bearings.:

3	R68597	68597	Roller - Smooth Solid Steel	0	
---	---------------	-------	-----------------------------	---	--

Tech Note: Machined from solid steel, this heavy weight roller uses greasable "water-pump" style bearings.:

4	R100105	100105, 1002446, 1003728	Roller - Smooth Heavy Duty Tubular Steel	0	
---	----------------	--------------------------------	--	---	--

Tech Note: Constructed with a through shaft, this heavy duty roller uses tapered bearings for extended life. This roller body measures 21" in length.:

5	R1000770	1000770	Roller - Smooth Heavy Duty Tubular Steel	0	
---	-----------------	---------	--	---	--

Tech Note: Constructed with a through shaft, this heavy-duty roller uses tapered bearings for extended life. Body length measures 23-1/4".:

6	R101335		Roller - Smooth UHMW Polyethylene	0	
---	----------------	--	-----------------------------------	---	--

Tech Note: Machined from solid UHMW, this low maintenance roller uses a 1" solid stainless steel shaft and requires no grease. UHMW material prevents build-up of debris.:

7	R1013662		Roller - Smooth UHMW Polyethylene	0	
---	-----------------	--	-----------------------------------	---	--

Tech Note: Machined from solid UHMW, this low maintenance roller uses a 1" solid stainless steel shaft and requires no grease. UHMW material prevents build-up of debris.:

8	R101120	101120, 68580	Roller - Grooved Machined Solid Steel	0	
---	----------------	------------------	---------------------------------------	---	--

All original equipment manufacturers names and part numbers are used for identification purposes only, and we are in no way implying that our products are original equipment parts. Prices subject to change without notice.



Replaces Jacobsen E-Plex Parts

Cutting Unit
Rear Rollers



Item No	R&R Part No.	OEM Part No.	Description	Qty Req	Order Quantity
---------	--------------	--------------	-------------	---------	----------------

Tech Note: Machined from solid steel, this heavy weight roller uses greasable "water-pump" style bearings.:

9	R101337		Roller - Grooved UHMW Polyethylene	0	
---	----------------	--	------------------------------------	---	--

Tech Note: Machined from solid UHMW, this low maintenance roller rotates around a 1" solid stainless steel shaft and requires no bearings or grease. Patented groove design and smooth UHMW material prevents build-up of debris. Shaft length measures 26-3/4":

Overhaul Kits

20	R100130	100130	Overhaul Kit - Roller	0	
----	----------------	--------	-----------------------	---	--

Tech Note: Includes 2 ea.: R302-5 Grease Fittings, R303558 Bearings, & R305115 Seals:

21	R101395	100139, 101395	Overhaul Kit - UHMW Roller	0	
----	----------------	-------------------	----------------------------	---	--

Tech Note: Fits all R&R 2" Dia. Black UHMW Polyethylene Rollers. Includes 10 ea.: R150322 Roll Pins; 2 ea.: R3296-15 Locknuts, R150347T Teflon Seals, R150333 Thrust Washers, & R150334A Bronze Thrust Washers:

22	R101399		Overhaul Kit - UHMW 2 Pc Roller	1	
----	----------------	--	---------------------------------	---	--

Tech Note: Fits all R&R 2-1/2" - 3-1/2" Dia. Black UHMW Plastic Rollers that do not use ball bearings.. Includes 2 ea.: R1503230 Star Washers, R1503470 Seals, R150333 Thrust Washers, R3296-15 Locknuts, R1503471 Bronze Thrust Washers:

23	R100136		Overhaul Kit - Roller	0	
----	----------------	--	-----------------------	---	--

Tech Note: Includes 2 ea.: R150674 Wear Sleeves, R253-152 Seals, R253-117 Seals, R254-78 Bearings, R254-79 Bearing Cups, R3296-15 Locknuts & R302-5 Grease Fittings:

24	R100139		Overhaul Kit - Roller	0	
----	----------------	--	-----------------------	---	--

Tech Note: Includes 2 ea.: R254-67 Bearing Cups, R254-68 Bearing Cones, R337593 Seals, R253-152 Seals R3001762 Wear Sleeves, R3000698 Washers & R445718 Locknuts:

Other Parts Available

30	R154909	145909, 154909	Shaft - Rear Roller	1	
----	----------------	-------------------	---------------------	---	--

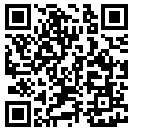
31	R345470	1002226, 345470	Bolt - Rear Roller 7/16-20	2	
----	----------------	--------------------	----------------------------	---	--

All original equipment manufacturers names and part numbers are used for identification purposes only, and we are in no way implying that our products are original equipment parts. Prices subject to change without notice.



Replaces Jacobsen E-Plex Parts

Cutting Unit
Rear Rollers



Item No	R&R Part No.	OEM Part No.	Description	Qty Req	Order Quantity
<i>Tech Note: Incl. Grease Zerk:</i>					
31	R1002224	1002224	Bolt - Rear Roller 3/8-24	2	
<i>Tech Note: Incl Grease Zerk:</i>					
33	R3001654	3001654	Shaft - Roller	1	
34	R302-5	302-5, 471214, 471223, 471226	Fitting - Grease	2	
35	R446136	446134, 446136	Washer - Lock 5/16 Zinc	12	
36	R101482	101482	Bearing - Rear Machined Roller	2	
37	R443106	443106	Nut - 5/16-18 Y/Zinc Plated	12	
38	R100106	100106	Shaft - Fits HD Rear Roller	1	
39	R61-0380		Roller End - Cap Solid	1	
40	R253-152	3001656	Seal - Inner Roller	2	
41	R254-79	254-79, 4121175	Cup - Bearing	2	
<i>Tech Note: Use R254-79M installation mandrel to properly install race.:</i>					
42	R254-78	254-78, 385174, 4121174, 4135152	Tapered Bearing Cone	2	
43	R253-117	253-117, 3004882	Seal - Outer Triple Lip	2	
44	R150674	150674	Sleeve - Wear 3/4 Plated	2	
45	R3296-15	3296-15, 367029, 444742	Locknut - 3/4-16 Nylon Jam	2	

All original equipment manufacturers names and part numbers are used for identification purposes only, and we are in no way implying that our products are original equipment parts. Prices subject to change without notice.



Replaces Jacobsen E-Plex Parts

Cutting Unit
Rear Rollers



Item No	R&R Part No.	OEM Part No.	Description	Qty Req	Order Quantity
46	R303558	303558	Bearing - Roller	2	
47	R305115	305115	Seal - Roller	2	
48	R338735	338735	Scraper - Rear Roller	1	
49	R400186	400186	Bolt - Hex HD 5/16-18 x 7/8	2	
50	R453009	3256-23, 452004, 452006, 452008, 453009	Washer - Flat 5/16 SAE	4	
50	R310266	310266, 452004, 452006, 452008	Washer - Flat 5/16 USS	4	
51	R150347T		Seal - Nonstick Lip	2	
52	R150334A		Washer - Thrust SAE660 Bronze	2	
53	R150333		Washer - Flat Keyed Outer SS	2	
55	R1503470		Seal - Inner Wiper	2	
56	R1503230		Washer - Thrust Outer Keyed	2	
57	R1503471		Washer - Thrust SAE660 Bronze	2	

Replaces Jacobsen 1000770 2" Roller Parts

58	R254-67	307108, 5000625, 500625	Cup - Bearing	2	
59	R254-68	307109, 5000625, 500625	Tapered Bearing Cone	2	
60	R337593	3000983, 337593	Seal	2	
61	R3001762	30001762, 3001762	Sleeve - Wear Hardened	2	

All original equipment manufacturers names and part numbers are used for identification purposes only, and we are in no way implying that our products are original equipment parts. Prices subject to change without notice.



Replaces Jacobsen E-Plex Parts

Cutting Unit
Rear Rollers



Item No	R&R Part No.	OEM Part No.	Description	Qty Req	Order Quantity
62	R3000698	3000698	Washer	2	
63	R3296-33	444820, 445718, 445801	Locknut - 5/8-18 ESNA Jam	2	
63	R445718	445718, 445801	Locknut - 5/8-18 All Metal	2	

Tech Note: Fits OEM Rollers Only:

All original equipment manufacturers names and part numbers are used for identification purposes only, and we are in no way implying that our products are original equipment parts. Prices subject to change without notice.