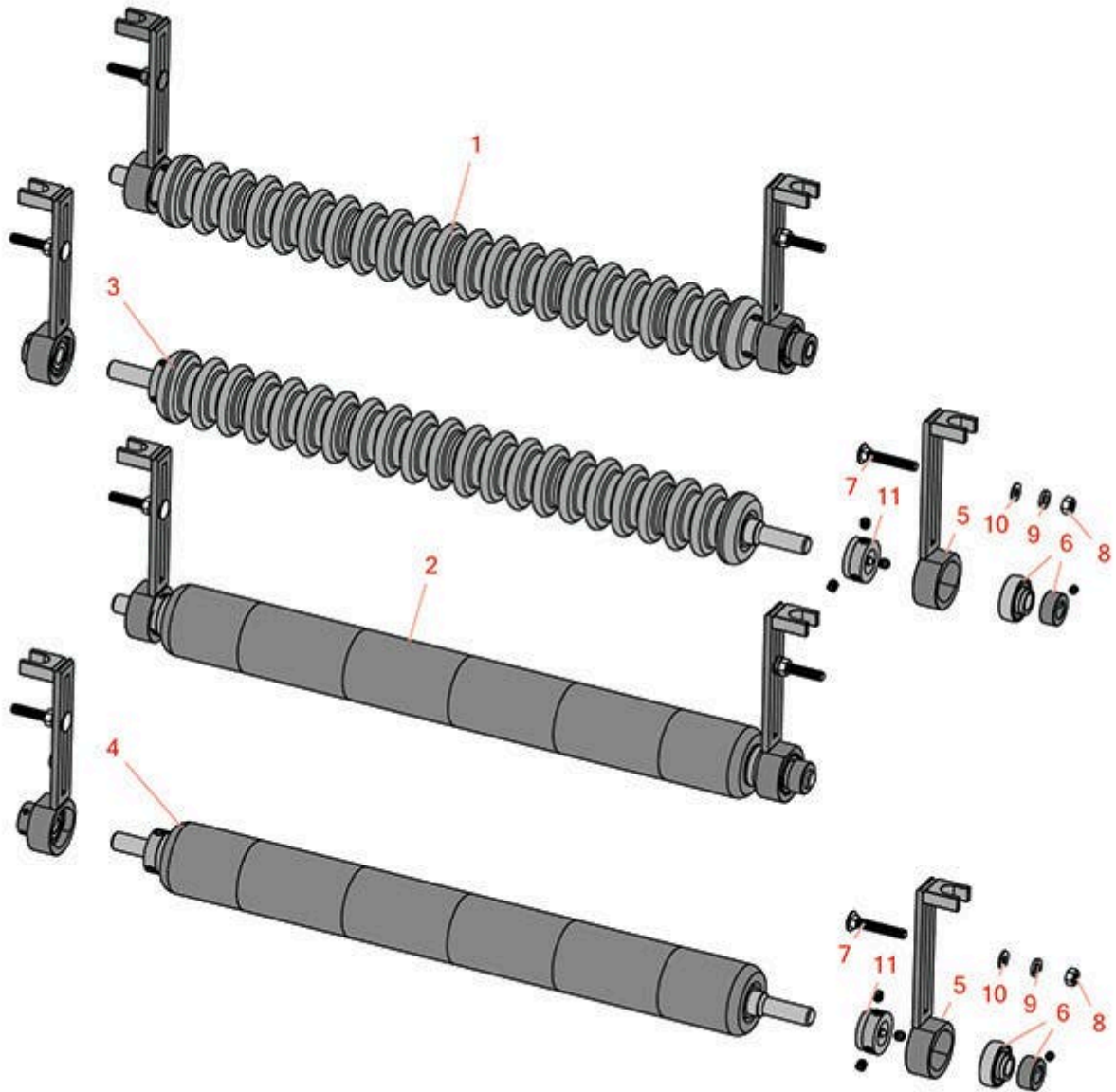




Replaces Jacobsen Greens King IV Parts

Cutting Unit

Minuteman Front Roller System



All original equipment manufacturers names and part numbers are used for identification purposes only, and we are in no way implying that our products are original equipment parts. Prices subject to change without notice.



Replaces Jacobsen Greens King IV Parts

Cutting Unit

Minuteman Front Roller System



Item No	R&R Part No.	OEM Part No.	Description	Qty Req	Order Quantity
---------	--------------	--------------	-------------	---------	----------------

Complete Minuteman Roller Systems

1	RMJ1001		Minuteman Front Grooved Roller System	0	
---	----------------	--	---------------------------------------	---	--

Tech Note: Complete roller systems include roller, two brackets with bearings and mounting hardware.:

2	RMJ1001S		Minuteman Front Smooth Roller System	0	
---	-----------------	--	--------------------------------------	---	--

Tech Note: Complete roller systems include roller, two brackets with bearings and mounting hardware.:

Minuteman Rollers Only

3	RM511		Minuteman Grooved Roller Only - 22 in	0	
---	--------------	--	---------------------------------------	---	--

Tech Note: Use with Minuteman Roller Bracket System Only:

4	RM512		Minuteman Smooth Roller Only	0	
---	--------------	--	------------------------------	---	--

Tech Note: Use with Minuteman Roller Bracket System Only:

Other Parts Available

5	RJ121		Bracket - Front LH/RH	0	
---	--------------	--	-----------------------	---	--

5	RJ121A		Bracket - Front LH/RH Extended	0	
---	---------------	--	--------------------------------	---	--

6	RMMB157		Bearing w/Locking Collar	0	
---	----------------	--	--------------------------	---	--

7	RMM602		Bolt - Carriage 5/16-18 x 2 Gr 5	0	
---	---------------	--	----------------------------------	---	--

8	RMM603		Nut - Hex 5/16-18	0	
---	---------------	--	-------------------	---	--

9	R446136	446134, 446136	Washer - Lock 5/16 Zinc	0	
---	----------------	-------------------	-------------------------	---	--

10	R453009	3256-23, 452004, 452006, 452008, 453009	Washer - Flat 5/16 SAE	0	
----	----------------	---	------------------------	---	--

11	RMM3		End Hub - 7/8 ID	0	
----	-------------	--	------------------	---	--

All original equipment manufacturers names and part numbers are used for identification purposes only, and we are in no way implying that our products are original equipment parts. Prices subject to change without notice.



Replaces Jacobsen Greens King IV Parts

Cutting Unit

Minuteman Front Roller System



All original equipment manufacturers names and part numbers are used for identification purposes only, and we are in no way implying that our products are original equipment parts. Prices subject to change without notice.