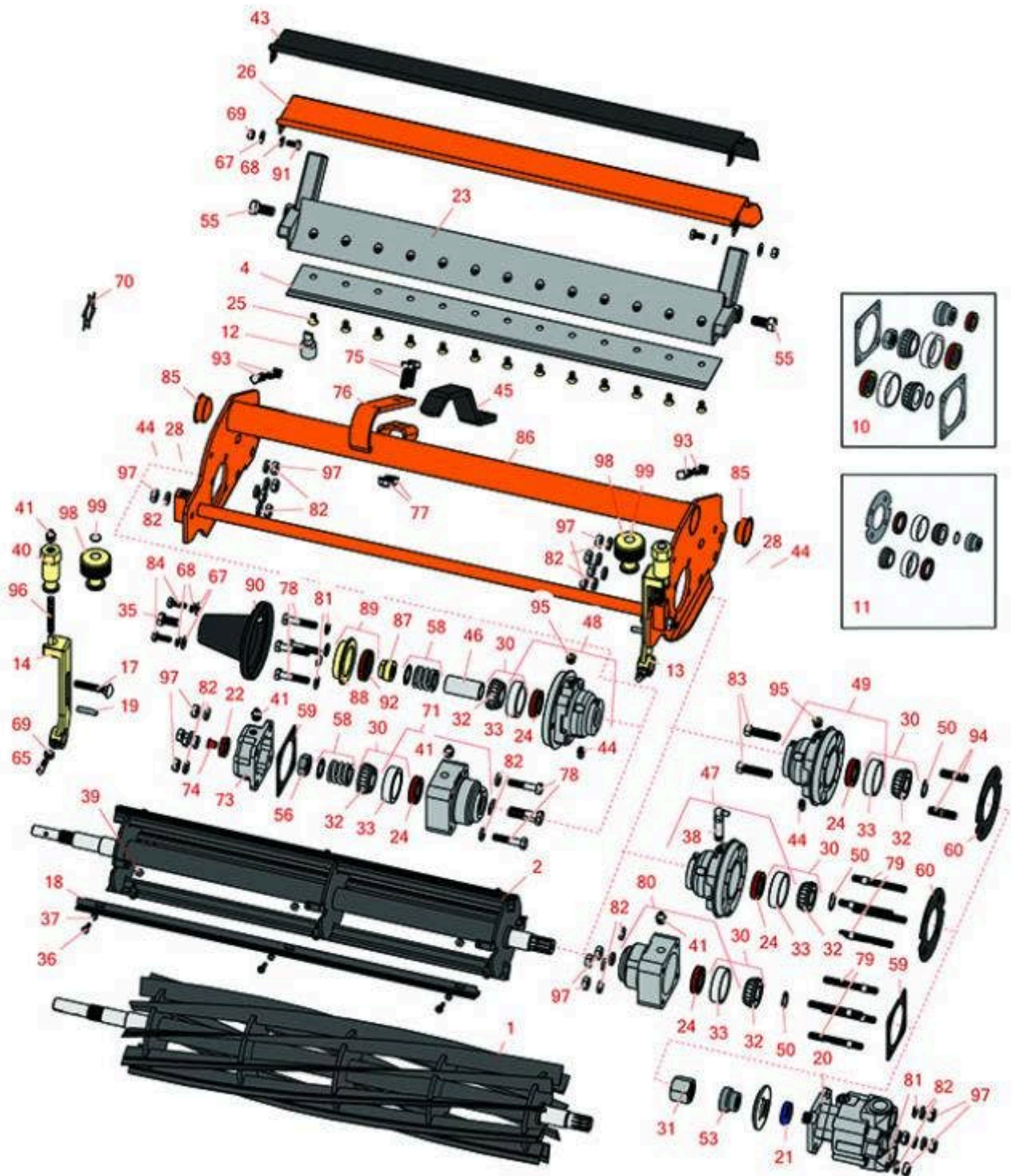




# Replaces Jacobsen Greens King IV Parts

Cutting Unit  
Reel & Bedknife



All original equipment manufacturers names and part numbers are used for identification purposes only, and we are in no way implying that our products are original equipment parts. Prices subject to change without notice.



# Replaces Jacobsen Greens King IV Parts

Cutting Unit  
Reel & Bedknife



Item No	R&R Part No.	OEM Part No.	Description	Qty Req	Order Quantity
<b><i>R&amp;R Reels - Replaces Greens King IV (62221) Splined Shaft Reel, 1/2" Shaft End</i></b>					
1	R503327		Reel - 4 Blade RH/Rear	2	
1	R503330		Reel - 4 Blade LH	1	
1	R506510		Reel - 5 Blade RH/Rear	2	
1	R506515		Reel - 5 Blade LH	1	
1	R506511		Reel - 5 Blade RH Heavy Duty	2	
1	R506516		Reel - 5 Blade LH Heavy Duty	1	
1	R506620		Reel - 6 Blade RH/Rear	2	
1	R506630		Reel - 6 Blade LH	1	
1	R502870	502870	Reel - 9 Blade RH/Rear	2	
1	R503319	5001095, 5003053, 503319	Reel - 7 Blade LH	1	
1	R503320	5001096, 5003054, 5003064, 503320	Reel - 7 Blade RH	1	
1	R502871	502871	Reel - 9 Blade LH	1	
1	R502870H		Reel - 9 Blade Heavy Duty RH/Rear	2	
1	R502871H		Reel - 9 Blade Heavy Duty LH	1	
1	R506633		Reel - 11 Blade RH/Rear	2	
1	R506634		Reel - 11 Blade LH	1	
<b><i>R&amp;R Reels - Replaces Greens King IV (62228 &amp; UP) Splined &amp; Keyed Shaft, 5/8" Shaft End</i></b>					
1	R506502		Reel - 5 Blade RH	2	

All original equipment manufacturers names and part numbers are used for identification purposes only, and we are in no way implying that our products are original equipment parts. Prices subject to change without notice.



# Replaces Jacobsen Greens King IV Parts

Cutting Unit  
Reel & Bedknife



Item No	R&R Part No.	OEM Part No.	Description	Qty Req	Order Quantity
1	R506503		Reel - 5 Blade LH	1	
1	R506507		Reel - 5 Blade RH Heavy Duty	2	
1	R506508		Reel - 5 Blade LH Heavy Duty	1	
1	R503376	5001100, 503376	Reel - 9 Blade RH	2	
1	R503375	5001099, 503375	Reel - 9 Blade LH	1	
1	R506512		Reel - 9 Blade RH Heavy Duty	2	
1	R506513		Reel - 9 Blade Heavy Duty LH	1	
1	R506635	5000029, 5001102	Reel - 11 Blade RH	2	
1	R506636	5000028, 5001101, 506636	Reel - 11 Blade LH	1	
<b><i>R&amp;R Brush Reels Available - Replaces Greens King IV (62221) Splined Shaft Reel, 1/2" Shaft End</i></b>					
2	R101487		Brush Reel - RH-Rear	2	
2	R101488		Brush Reel - LH	1	
<b><i>R&amp;R Brush Reels Available - Replaces Greens King IV (62228 &amp; UP) Splined &amp; Keyed Shaft, 5/8" Shaft End</i></b>					
2	R101490		Brush Reel - RH	2	
2	R101491		Brush Reel - LH Keyed Shaft	1	
<b><i>R&amp;R Bedknives, Lifetime Guaranteed</i></b>					
4	R503477	101261, 503027, 503477, 549397	Bedknife - Thick .156-.438 HOC	1	
4	R101262		Bedknife - Super Thick 5/16	1	

All original equipment manufacturers names and part numbers are used for identification purposes only, and we are in no way implying that our products are original equipment parts. Prices subject to change without notice.



# Replaces Jacobsen Greens King IV Parts

Cutting Unit  
Reel & Bedknife



Item No	R&R Part No.	OEM Part No.	Description	Qty Req	Order Quantity
4	R503478	101260, 503028, 503478, 549504	Bedknife - Thin .125-.219 HOC	1	
4	R503479	503029, 503479	Bedknife - Tournament .094-.156 HOC	1	
4	R4234900	5000927	Bedknife - Tournament .063-.110	1	
4	R5002887	5002887	Bedknife - Micro Cut - .082-.109	1	
4	R5003150	5003150	Bedknife - Low Cut	1	

## R&R Razor Tool Steel Bedknives, Lifetime Guaranteed

4	R101520		Bedknife - Razor Tool Steel - 22 Micro Cut	1	
4	R101521		Bedknife - Razor Tool Steel - 22 Tournament Cut	1	

## Overhaul Kits & Service Tools

10	R506555		Overhaul Kit - Cutting Unit	0	
<i>Tech Note: Fits GK IV (62221) with square bearing housings. Includes 2 ea.: R336962 Seals, R345473 Gaskets, R254-78 Bearings, R254-79 Bearing Cups; 1 ea.: R335435 Seal, R337370 Coupling, R458013 Ring &amp; R444713 Locknut:</i>					
11	R100125		Overhaul Kit - Cutting Unit	0	
<i>Tech Note: Fits GK IV (62228 &amp; 62229) with round bearing housings. Includes 2 ea.: R336962 Seals, R254-78 Bearings, R254-79 Cups; 1 ea.:R337677 Seal, R458013 Ring, R364901Gasket, R337370 Coupling:</i>					
12	R101272T		Bedknife Screw Driver Tool	0	
<i>Tech Note: Easily install and remove bed knife screws with the help of a ratchet. Tool manufactured with hardened alloy steel.:</i>					

## Other Parts Available

All original equipment manufacturers names and part numbers are used for identification purposes only, and we are in no way implying that our products are original equipment parts. Prices subject to change without notice.



# Replaces Jacobsen Greens King IV Parts

Cutting Unit  
Reel & Bedknife



Item No	R&R Part No.	OEM Part No.	Description	Qty Req	Order Quantity
13	<b>R153980</b>	153980, 3008438	Bracket - Front Roller	1	
13	<b>R163232</b>	163232	Bracket - Extra Long - Front Roller	1	
14	<b>R153979</b>	153979, 3008439	Bracket - Front Roller	1	
14	<b>R163231</b>	163231	Bracket - Extra Long - Front Roller	1	
17	<b>R441674</b>	441674	Screw - 5/16-18 x 1-3/4 Carriage	2	
18	<b>R150481</b>	150481	Brush Assy - Brush Reel	4	
19	<b>R461256</b>	461256	Pin - 1/4 x 1	2	
20	<b>R122164</b>	122164	Motor - Reel	3	
<i>Tech Note: Fits GKIV 4 Bolt Mount:</i>					
20	<b>R502737</b>	502737	Seal Kit - Fits R122164 Hyd Motor	1	
21	<b>R353-585</b>		Seal - High Pressure - Reel Motor	1	
22	<b>R335435</b>	335435	Seal - Reel Housing	1	
23	<b>R220278</b>	121856, 220278, 5000415	Backing Bar - Cast	1	
24	<b>R325472</b>	325472	Seal	4	
24	<b>R336962</b>	336962	Seal	4	
25	<b>R101272</b>	101272, 3009138, 402578, 800813	Screw - Bedknife 1/4-20 x 1/2	13	
26	<b>R390950</b>	126724, 2810043, 390950	Shield - Grass	1	
28	<b>R1002224</b>	1002224	Bolt - Rear Roller 3/8-24	2	

All original equipment manufacturers names and part numbers are used for identification purposes only, and we are in no way implying that our products are original equipment parts. Prices subject to change without notice.



# Replaces Jacobsen Greens King IV Parts

Cutting Unit  
Reel & Bedknife



Item No	R&R Part No.	OEM Part No.	Description	Qty Req	Order Quantity
<i>Tech Note: Incl Grease Zerk:</i>					
28	<b>R345470</b>	1002226, 345470	Bolt - Rear Roller 7/16-20	2	
<i>Tech Note: Incl. Grease Zerk:</i>					
30	<b>R500534</b>	500534, R500534	Bearing - with Cup	2	
31	<b>R345477</b>	345477	Nut - Coupling LH (RH Threads)	2	
<i>Tech Note: Right Hand Threads:</i>					
31	<b>R345478</b>	345478	Nut - Coupling RH (LH Threads)	2	
<i>Tech Note: Left Hand Threads:</i>					
32	<b>R254-78</b>	254-78, 385174, 4121174, 4135152	Tapered Bearing Cone	2	
33	<b>R254-79</b>	254-79, 4121175	Cup - Bearing	2	
<i>Tech Note: Use R254-79M installation mandrel to properly install race.:</i>					
35	<b>R400294</b>	400294	Screw - 3/8 24 x 3/4 Hex C/Zinc	1	
36	<b>R150425</b>	150425	Bolt - Hex HD 8-32 x 5/8	12	
37	<b>R150426</b>	150426	Washer - 8 SAE	12	
38	<b>R363896</b>	363896	Fitting - Grease w/Extension	2	
39	<b>R3296-9</b>		Locknut - Comb	12	
40	<b>R365009</b>	3005692, 365009, 365170, 441674	Knob - Adjusting Roller	2	

All original equipment manufacturers names and part numbers are used for identification purposes only, and we are in no way implying that our products are original equipment parts. Prices subject to change without notice.





# Replaces Jacobsen Greens King IV Parts

Cutting Unit  
Reel & Bedknife



Item No	R&R Part No.	OEM Part No.	Description	Qty Req	Order Quantity
41	<b>R471219</b>	366852, 471219	Zerk - Grease	2	
43	<b>R2810043</b>	2810043	Shield - Grass	1	
44	<b>R302-5</b>	302-5, 471214, 471223, 471226	Fitting - Grease	2	
45	<b>R3010293</b>	3010293	Stop - Mower	1	
46	<b>R367164</b>	367164	Spacer - Reel	1	
47	<b>R163396</b>	163396	Housing - Reel Brg Motor End	1	
<i>Tech Note: Includes: 4 ea: R361097 Stud; 1 ea: R254-79 Cup, R336962 Seal, R363896 Grease Fitting:</i>					
48	<b>R164144</b>	1000480, 163397, 164144, 2000060	Housing - Reel Bearing	1	
<i>Tech Note: Includes R336962 Seal, R302-5 Zerk, R170714 Relief Fitting &amp; R254-79 Cup:</i>					
49	<b>R164146</b>	163679, 164146	Housing - Reel Bearing - Motor End	1	
<i>Tech Note: Housing has no studs, uses 2 bolts. Includes: 1 ea: R170714 Fitting, R254-79 Cup, R302-5 Fitting &amp; R336962 Seal:</i>					
49	<b>R101328</b>		Housing - Bearing Motor End	1	
<i>Tech Note: Includes R302-5, R336962, R170714, R101327 &amp; Cup Portion of R500534. Housing has 2 studs, uses no bolts:</i>					
50	<b>R458013</b>	458013	Ring - Retaining	1	
53	<b>R4247911</b>	162567, 337370, 4247911	Coupling - Hyd Motor - Glass Filled	1	
53	<b>R3001720</b>	3001720	Coupler - Iron - Hyd Motor	1	

All original equipment manufacturers names and part numbers are used for identification purposes only, and we are in no way implying that our products are original equipment parts. Prices subject to change without notice.



# Replaces Jacobsen Greens King IV Parts

Cutting Unit  
Reel & Bedknife



Item No	R&R Part No.	OEM Part No.	Description	Qty Req	Order Quantity
55	<b>R315298</b>	315298	Bolt - Bed Bar	2	
56	<b>R444713</b>	444713	Locknut - 5/8-18 Hex Center	1	
56	<b>R453020</b>	453020	Washer - 5/8 SAE Flat Z	1	
58	<b>R363047</b>	348846, 363047	Spring - Reel	1	
58	<b>R5002151</b>	5002151	Hardware Kit - Spring/Washer	1	
<i>Tech Note: Includes 1 ea: R304745 Washer, R363047 Spring:</i>					
59	<b>R345473</b>	345473	Gasket - Reel Motor	1	
60	<b>R364901</b>	364901	Gasket - Reel Motor	1	
65	<b>R352737</b>	352737	Screw - Set 1/4 x 7/8 Sq Head	2	
67	<b>R453023</b>	453023	Washer - Flat 1/4	2	
68	<b>R3253-3</b>	3253-3, 446128, 446130	Washer - Lock 1/4	4	
69	<b>R443102</b>	443102	Nut - 1/4-20 Yellow Zinc	2	
70	<b>R363808</b>	363808	Blade - V-Cut 2 Dia	85	
71	<b>R239055</b>	239055	Housing - Reel Bearing Short	1	
<i>Tech Note: Includes R336962 Seal &amp; R254-79 Bearing Cup:</i>					
73	<b>R269037</b>	269037	Cap - Reel Housing	1	
74	<b>R352132</b>	352132	Caplug - Reel Shaft End	1	
75	<b>R403751</b>	403751	Bolt - Serrated Washer HD	2	
76	<b>R354928</b>	354928	Stop - Mower	1	
77	<b>R445722</b>	445722	Nut - Serrated Washer	2	

All original equipment manufacturers names and part numbers are used for identification purposes only, and we are in no way implying that our products are original equipment parts. Prices subject to change without notice.





# Replaces Jacobsen Greens King IV Parts

Cutting Unit  
Reel & Bedknife



Item No	R&R Part No.	OEM Part No.	Description	Qty Req	Order Quantity
78	<b>R400192</b>	400192	Bolt - Hex HD 5/16-18 x 1-1/2	4	
79	<b>R361097</b>	361097	Stud - Reel Brg Housing	4	
80	<b>R162558</b>	162558	Housing - Reel Bearing Tall	1	
<i>Tech Note: Includes: 4 ea: R361097 Stud; 1 ea: R254-79 Cup, R336962 Seal, R471219 Grease Fitting;</i>					
81	<b>R453009</b>	3256-23, 452004, 452006, 452008, 453009	Washer - Flat 5/16 SAE	4	
82	<b>R446136</b>	446134, 446136	Washer - Lock 5/16 Zinc	12	
83	<b>R441812</b>	441812	Screw - 3/8-1-1/2 Sq HD Set	2	
84	<b>R321-4</b>	321-4, 400108	Bolt - Hex HD 1/4-20 x 3/4	1	
85	<b>R285-14</b>		Plug - Pipe Frame	2	
86	<b>R122685</b>	119245, 122685, 503325	Frame	1	
86	<b>R5002577</b>	5002577	Frame - Reel	1	
86	<b>R4256225</b>	4256225	Frame - 22 in Cutting Unit	1	
87	<b>R363817</b>	363817	Nut - 5/8-18 Reel Tension	1	
87	<b>R364900</b>	364900	Nut - Reel Tension	1	
88	<b>R363814</b>	163892, 363814	Spacer - Seal	1	
89	<b>R163398</b>	163398, 163892	Seal - Spacer Assy	1	

All original equipment manufacturers names and part numbers are used for identification purposes only, and we are in no way implying that our products are original equipment parts. Prices subject to change without notice.



# Replaces Jacobsen Greens King IV Parts

Cutting Unit  
Reel & Bedknife



Item No	R&R Part No.	OEM Part No.	Description	Qty Req	Order Quantity
90	<b>R338675</b>	338675, 557775	Cover - Shaft End	1	
91	<b>R400104</b>	400104	Bolt - Hex HD 1/4-20 x 1/2	2	
92	<b>R337677</b>	315257, 337677	Seal - Oil	1	
93	<b>R412506</b>	412503, 412506	Screw - Bed Bar Adjusting	4	
94	<b>R101327</b>		Stud - Housing	2	
<i>Tech Note: Fits R101328 Only:</i>					
95	<b>R170714</b>	170714, 471240, 471242	Fitting - Pressure Relief	2	
96	<b>R343616</b>	343616, 443102	Stud	2	
97	<b>R443106</b>	443106	Nut - 5/16-18 Y/Zinc Plated	12	
98	<b>R343617</b>	343617	Knob - Adjusting	2	
99	<b>R472518</b>	472518	Plug - Adjusting Knob	2	

All original equipment manufacturers names and part numbers are used for identification purposes only, and we are in no way implying that our products are original equipment parts. Prices subject to change without notice.