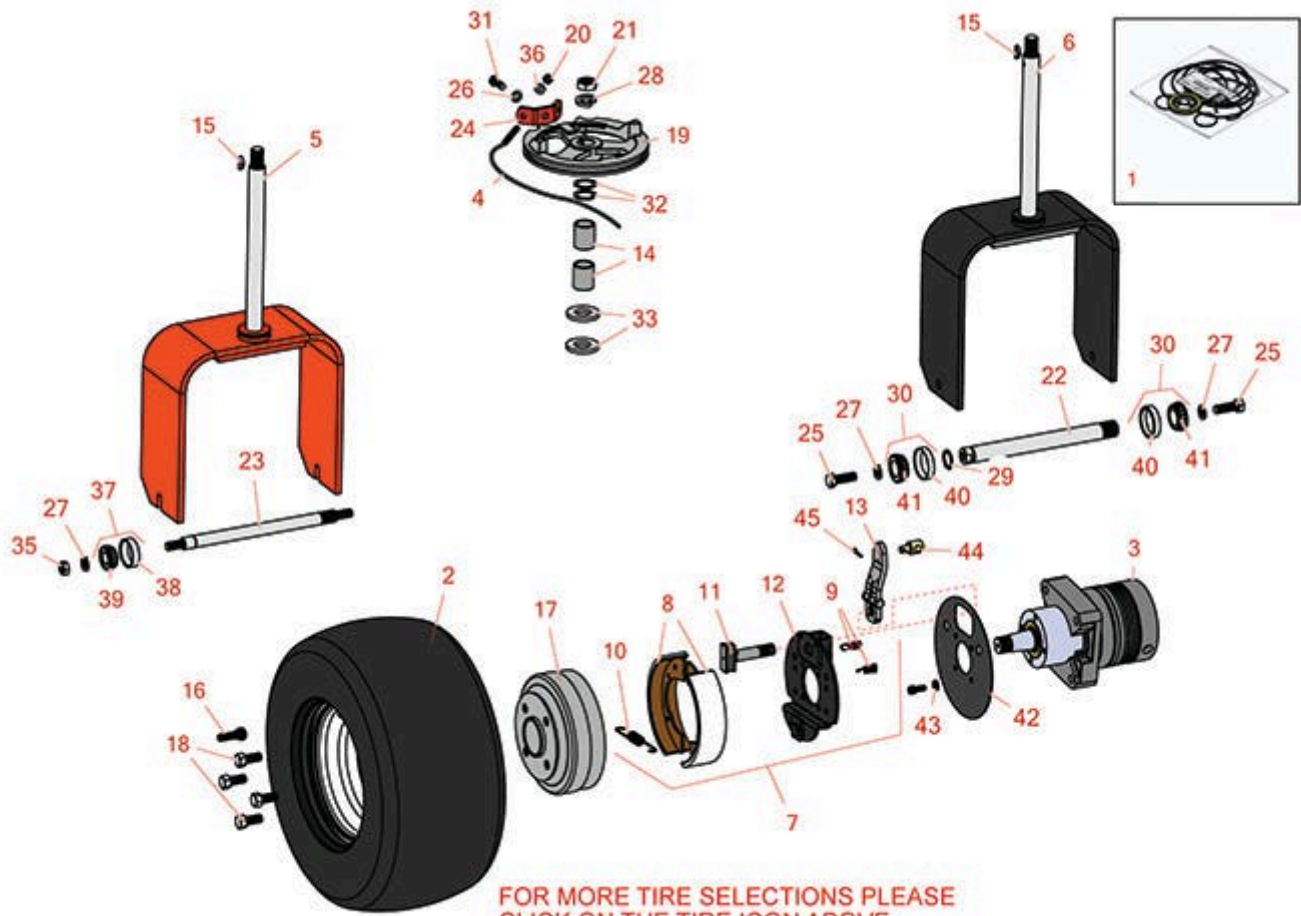




# Replaces Jacobsen Greens King IV Parts

*Traction Unit - Models 62302, 62303, 62305 & 62306*

*Rear Steer Tire*



All original equipment manufacturers names and part numbers are used for identification purposes only, and we are in no way implying that our products are original equipment parts. Prices subject to change without notice.



# Replaces Jacobsen Greens King IV Parts

Traction Unit - Models 62302, 62303, 62305 & 62306

Rear Steer Tire



Item No	R&R Part No.	OEM Part No.	Description	Qty Req	Order Quantity
---------	--------------	--------------	-------------	---------	----------------

## Overhaul Kits and Service Tools

1	<b>R353-461</b>		Seal Kit - Wheel Motor	1
---	-----------------	--	------------------------	---

*Tech Note: Fits Series #MAB16003A4:*

1	<b>R76-0800</b>		Seal Kit - Hyd Wheel Motor	1
---	-----------------	--	----------------------------	---

*Tech Note: Fits Series #MB12-1408AAAF:*

## Tires

2	<b>RCT510981</b>		Tire - 18 - 9.50 x 8 (4 Ply) Carlisle Smooth	1
---	------------------	--	--	---

2	<b>RTK958-4SM-I</b>	353844	Tire - 18x9.50-8 (4 Ply) Kenda Smooth	1
---	---------------------	--------	---------------------------------------	---

2	<b>R121704</b>	121704	Wheel - with Valve Stem	1
---	----------------	--------	-------------------------	---

*Tech Note: Fits GKIV #62221, 2-3/8" to valve stem base:*

2	<b>R122367</b>	122367	Wheel	1
---	----------------	--------	-------	---

*Tech Note: Fits GKIV #62228, 3-1/8" to valve stem base. Includes Valve Stem:*

2	<b>R130184</b>	130184	Tire w/Wheel - 18x9.50-8 (2 Ply) Carlisle Smooth	1
---	----------------	--------	--	---

2	<b>R700141</b>		Tube - 18x6.50/7.50/8.50/9.50-8 TR13	1
---	----------------	--	--------------------------------------	---

## Other Parts Available

3	<b>R10-8010</b>	121709	Hydraulic Motor	1
---	-----------------	--------	-----------------	---

3	<b>R122675</b>	122675	Hydraulic Motor - Ta TF0195LS080AAA	1
---	----------------	--------	-------------------------------------	---

4	<b>R160040</b>	160040	Cable - Steering	2
---	----------------	--------	------------------	---

5	<b>R130434</b>	130434	Fork - Steering	1
---	----------------	--------	-----------------	---

6	<b>R122438</b>	122438	Fork - Steering	1
---	----------------	--------	-----------------	---

7	<b>R501307</b>	501307	Brake Assy	1
---	----------------	--------	------------	---

All original equipment manufacturers names and part numbers are used for identification purposes only, and we are in no way implying that our products are original equipment parts. Prices subject to change without notice.



# Replaces Jacobsen Greens King IV Parts

Traction Unit - Models 62302, 62303, 62305 & 62306

Rear Steer Tire



Item No	R&R Part No.	OEM Part No.	Description	Qty Req	Order Quantity
<i>Tech Note: Includes: 2ea: R353868 Spring; 1 ea: R130191 Plate, R353869 Spring, R501150 Shoes, R546516 Camshaft &amp; R554526 Lever:</i>					
8	<b>R501150</b>	501150	Shoe - Brake Set / 2	1	
9	<b>R353868</b>	353868	Spring - Shoe Hold Down	2	
10	<b>R353869</b>	353869, 555714	Spring - Shoe Return	1	
11	<b>R546516</b>	546516	Camshaft - Brake	1	
12	<b>R130191</b>	130191	Plate - Brake Support	1	
13	<b>R554526</b>	501151, 554526	Lever - Brake	1	
14	<b>R315296</b>	315296	Bushing - Pivot Housing	2	
15	<b>R463009</b>	463009, 463019	Key - Spindle Shaft	1	
16	<b>R232-24</b>	341680, 363233	Stem - Valve w/ Cap	1	
17	<b>R207461</b>	207461	Drum - Brake	1	
<i>Tech Note: Use with R122367 Only:</i>					
18	<b>R353914</b>	353914	Bolt - Wheel	4	
19	<b>R218077</b>	218077	Pulley - Steering	1	
20	<b>R32152-1</b>	444716	Locknut - All Metal 5/16-18	2	
21	<b>R3220-7</b>	443832	Nut - 3/4-16 Jam Zinc	1	
22	<b>R337358</b>	337358	Axle - Steering	1	
23	<b>R353908</b>	353908	Axle - Steering	1	
24	<b>R354000</b>	354000	Bracket - Steering Pulley	1	

All original equipment manufacturers names and part numbers are used for identification purposes only, and we are in no way implying that our products are original equipment parts. Prices subject to change without notice.



# Replaces Jacobsen Greens King IV Parts

Traction Unit - Models 62302, 62303, 62305 & 62306  
Rear Steer Tire



Item No	R&R Part No.	OEM Part No.	Description	Qty Req	Order Quantity
25	<b>R400442</b>	400442	Screw - 1/2 20 x 1-1/2 Hex	2	
26	<b>R3254-6</b>	3254-6, 446140, 446142	Washer - Lock 3/8	1	
27	<b>R446154</b>	446152, 446154	Washer - Lock 1/2	2	
28	<b>R446178</b>	446178	Washer - Lock 3/4	1	
29	<b>R458039</b>	458039	Ring - Retaining	1	
30	<b>R500596</b>	500596	Tapered Bearing Set - Cup and Cone	2	
31	<b>RF3205</b>	400188, 400262	Bolt - Hex HD 3/8-16 x 1	1	
32	<b>R303629</b>	303629	Washer - Spacer	2	
33	<b>R360113</b>	360113	Washer - Thrust Nylon	2	
35	<b>R444784</b>	444784	Locknut - 1/2-13 Center	2	
36	<b>R453009</b>	3256-23, 452004, 452006, 452008, 453009	Washer - Flat 5/16 SAE	2	
37	<b>R500534</b>	500534, R500534	Bearing - with Cup	2	
38	<b>R254-79</b>	254-79, 4121175	Cup - Bearing	2	
<i>Tech Note: Use R254-79M installation mandrel to properly install race.:</i>					
39	<b>R254-78</b>	254-78, 385174, 4121174, 4135152	Tapered Bearing Cone	2	
40	<b>R254-72</b>	313456	Cup - Bearing	2	

All original equipment manufacturers names and part numbers are used for identification purposes only, and we are in no way implying that our products are original equipment parts. Prices subject to change without notice.



# Replaces Jacobsen Greens King IV Parts

*Traction Unit - Models 62302, 62303, 62305 & 62306*

*Rear Steer Tire*



Item No	R&R Part No.	OEM Part No.	Description	Qty Req	Order Quantity
45	<b>R460026</b>	460026	Pin - Cotter 1/8 x 3/4	1	
41	<b>R254-94</b>	313089	Tapered Bearing Cone	2	
42	<b>R390742</b>	390742	Shield	1	
43	<b>R446136</b>	446134, 446136	Washer - Lock 5/16 Zinc	1	
44	<b>R353973</b>	353973	Guide	1	

All original equipment manufacturers names and part numbers are used for identification purposes only, and we are in no way implying that our products are original equipment parts. Prices subject to change without notice.