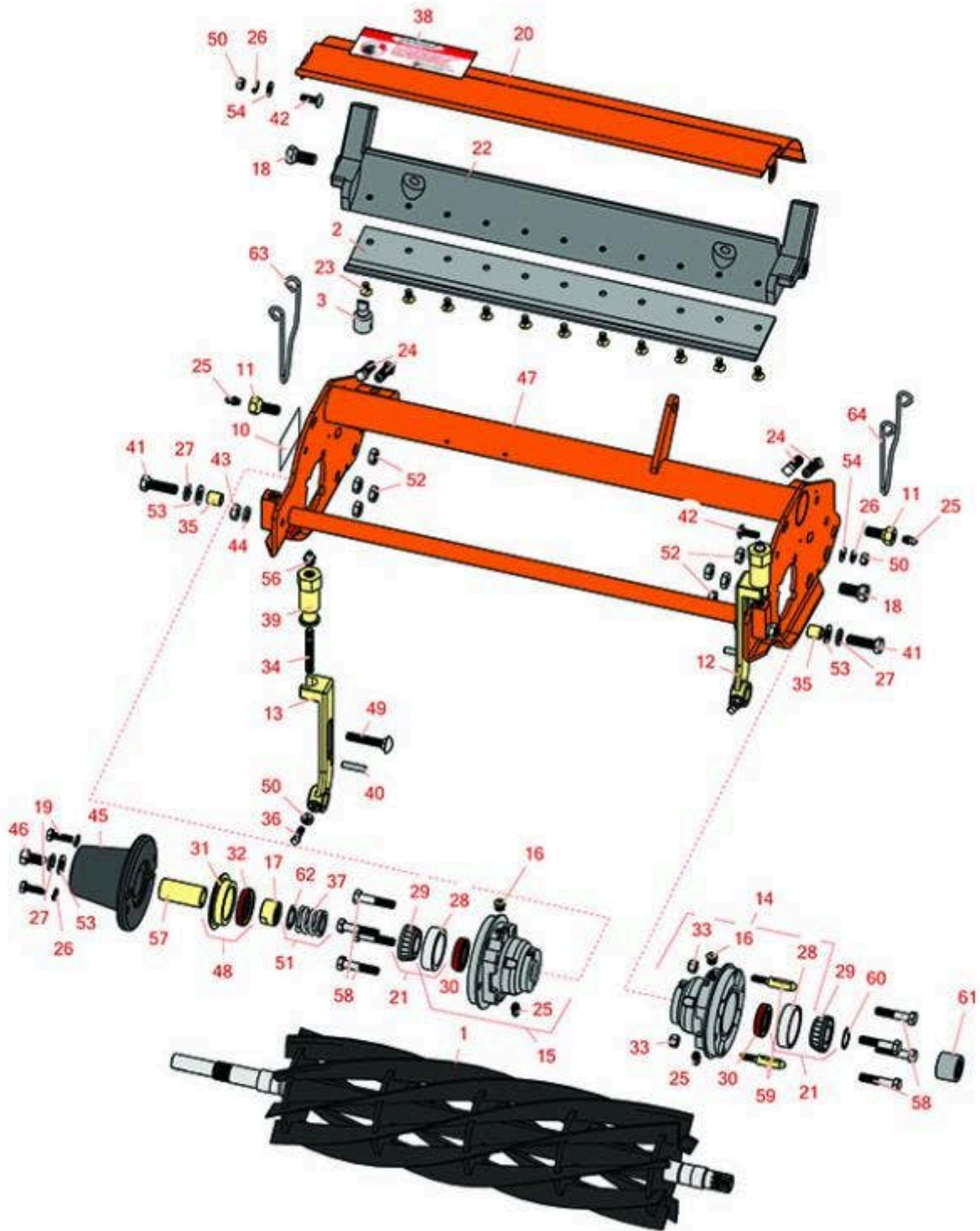




# Replaces Jacobsen LF-1880 Parts

Cutting Unit  
Reel & Bedknife



All original equipment manufacturers names and part numbers are used for identification purposes only, and we are in no way implying that our products are original equipment parts. Prices subject to change without notice.



# Replaces Jacobsen LF-1880 Parts

Cutting Unit  
Reel & Bedknife



Item No	R&R Part No.	OEM Part No.	Description	Qty Req	Order Quantity
---------	--------------	--------------	-------------	---------	----------------

### R&R Reels, Lifetime Guaranteed

1	R4119512	4119512	Reel - 8 Blade	1	
1	R4119513	4119513	Reel - 11 Blade	1	

### R&R Bedknives, Lifetime Guaranteed

2	R4118902	4118902	Bedknife	1	
---	----------	---------	----------	---	--

### Service Tools

3	R101272T		Bedknife Screw Driver Tool	0	
---	----------	--	----------------------------	---	--

*Tech Note: Easily install and remove bed knife screws with the help of a ratchet. Tool manufactured with hardened alloy steel.:*

### Other Parts Available

10	R1000997	1000997	Decal - Warning	2	
11	R1002224	1002224	Bolt - Rear Roller 3/8-24	2	

*Tech Note: Incl Grease Zerk:*

12	R153980	153980, 3008438	Bracket - Front Roller	1	
13	R153979	153979, 3008439	Bracket - Front Roller	1	

14	R1004786	1004786	Housing - Bearing Quick Clip	1	
----	----------	---------	------------------------------	---	--

*Tech Note: Includes: R336962, R302-5, R254-79, R3010296, R32152-4 & R170714:*

15	R164144	1000480, 163397, 164144, 2000060	Housing - Reel Bearing	1	
----	---------	---	------------------------	---	--

*Tech Note: Includes R336962 Seal, R302-5 Zerk, R170714 Relief Fitting & R254-79 Cup:*

16	R170714	170714, 471240, 471242	Fitting - Pressure Relief	2	
----	---------	------------------------------	---------------------------	---	--

All original equipment manufacturers names and part numbers are used for identification purposes only, and we are in no way implying that our products are original equipment parts. Prices subject to change without notice.



# Replaces Jacobsen LF-1880 Parts

Cutting Unit  
Reel & Bedknife



Item No	R&R Part No.	OEM Part No.	Description	Qty Req	Order Quantity
17	<b>R364900</b>	364900	Nut - Reel Tension	1	
18	<b>R315298</b>	315298	Bolt - Bed Bar	2	
19	<b>R321-5</b>	321-5, 400110	Bolt - Hex HD 1/4-20 x 7/8	2	
20	<b>R2811027</b>	2811027	Shield - Grass	1	
21	<b>R500534</b>	500534, R500534	Bearing - with Cup	2	
22	<b>R2811055</b>	2811055	Bed Bar	1	
23	<b>R101272</b>	101272, 3009138, 402578, 800813	Screw - Bedknife 1/4-20 x 1/2	11	
24	<b>R412506</b>	412503, 412506	Screw - Bed Bar Adjusting	4	
25	<b>R302-5</b>	302-5, 471214, 471223, 471226	Fitting - Grease	4	
26	<b>R3253-3</b>	3253-3, 446128, 446130	Washer - Lock 1/4	2	
27	<b>R3254-6</b>	3254-6, 446140, 446142	Washer - Lock 3/8	4	
28	<b>R254-79</b>	254-79, 4121175	Cup - Bearing	2	
<i>Tech Note: Use R254-79M installation mandrel to properly install race.:</i>					
29	<b>R254-78</b>	254-78, 385174, 4121174, 4135152	Tapered Bearing Cone	2	
30	<b>R336962</b>	336962	Seal	2	

All original equipment manufacturers names and part numbers are used for identification purposes only, and we are in no way implying that our products are original equipment parts. Prices subject to change without notice.



# Replaces Jacobsen LF-1880 Parts

Cutting Unit  
Reel & Bedknife



Item No	R&R Part No.	OEM Part No.	Description	Qty Req	Order Quantity
31	<b>R363814</b>	163892, 363814	Spacer - Seal	1	
32	<b>R337677</b>	315257, 337677	Seal - Oil	1	
33	<b>R32152-4</b>	32152-4, 444708	Locknut - 1/4-20 All Metal	2	
34	<b>R343616</b>	343616, 443102	Stud	2	
35	<b>R345510</b>	345510	Spacer	2	
36	<b>R352737</b>	352737	Screw - Set 1/4 x 7/8 Sq Head	2	
37	<b>R363047</b>	348846, 363047	Spring - Reel	1	
38	<b>R354083</b>	354083, 361877, 4127335	Decal - Danger	2	
39	<b>R365009</b>	3005692, 365009, 365170, 441674	Knob - Adjusting Roller	2	
40	<b>R461256</b>	461256	Pin - 1/4 x 1	2	
41	<b>R400264</b>	400264	Bolt - Hex HD 3/8-16 x 1-1/4	2	
42	<b>R403782</b>	400018, 403782	Screw - 1/4-20 x 3/4 Truss Head	2	
43	<b>R443106</b>	443106	Nut - 5/16-18 Y/Zinc Plated	2	
44	<b>R446136</b>	446134, 446136	Washer - Lock 5/16 Zinc	2	
45	<b>R2000065</b>	2000065	Weight - Counter	1	
46	<b>R400294</b>	400294	Screw - 3/8 24 x 3/4 Hex C/Zinc	1	
47	<b>R4119514</b>	4119514	Frame - Fits LF1880	1	

All original equipment manufacturers names and part numbers are used for identification purposes only, and we are in no way implying that our products are original equipment parts. Prices subject to change without notice.



# Replaces Jacobsen LF-1880 Parts

Cutting Unit  
Reel & Bedknife



Item No	R&R Part No.	OEM Part No.	Description	Qty Req	Order Quantity
48	<b>R163398</b>	163398, 163892	Seal - Spacer Assy	1	
49	<b>R441674</b>	441674	Screw - 5/16-18 x 1-3/4 Carriage	2	
50	<b>R443102</b>	443102	Nut - 1/4-20 Yellow Zinc	2	
51	<b>R5002151</b>	5002151	Hardware Kit - Spring/Washer	1	
<i>Tech Note: Includes 1 ea: R304745 Washer, R363047 Spring:</i>					
52	<b>R445795</b>	445795	Nut - 5/16-18 Flanged	10	
53	<b>R453011</b>	453011	Washer - Flat 3/8 SAE Y/Zinc	3	
54	<b>R453023</b>	453023	Washer - Flat 1/4	2	
56	<b>R471219</b>	366852, 471219	Zerk - Grease	2	
57	<b>R367164</b>	367164	Spacer - Reel	1	
58	<b>R400192</b>	400192	Bolt - Hex HD 5/16-18 x 1-1/2	8	
59	<b>R3010296</b>	3010296	Pin - Motor Mounting	2	
60	<b>R458013</b>	458013	Ring - Retaining	1	
61	<b>R3001720</b>	3001720	Coupler - Iron - Hyd Motor	1	
62	<b>R304745</b>	304745	Washer - Reel	1	
63	<b>R2810165</b>	2810165, 2810166, 3010236, 3010636	Clip - Spring Motor	1	
64	<b>R2810166</b>	2810166, 3010637	Clip - Spring Motor	1	

All original equipment manufacturers names and part numbers are used for identification purposes only, and we are in no way implying that our products are original equipment parts. Prices subject to change without notice.