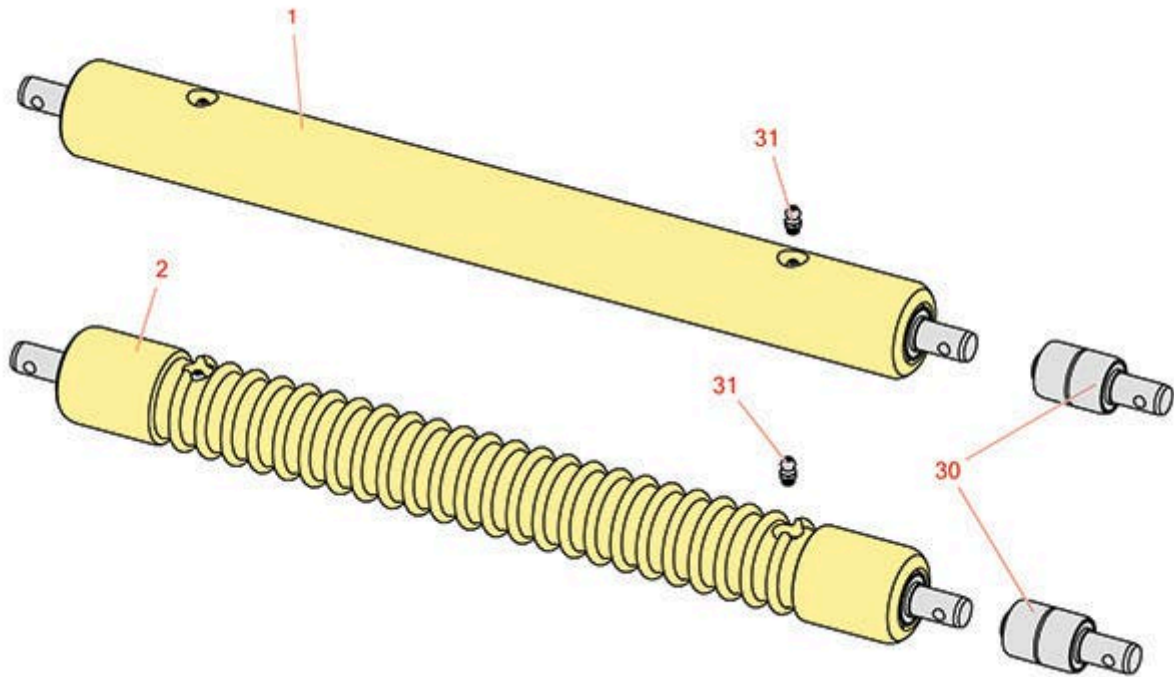




Replaces John Deere 180B Walk-Behind Greens Mower Parts

Cutting Unit
Rollers



All original equipment manufacturers names and part numbers are used for identification purposes only, and we are in no way implying that our products are original equipment parts. Prices subject to change without notice.



Replaces John Deere 180B Walk-Behind Greens Mower Parts

Cutting Unit
Rollers



Item No	R&R Part No.	OEM Part No.	Description	Qty Req	Order Quantity
---------	--------------	--------------	-------------	---------	----------------

R&R Rollers to Fit 180B

1	RAMT2786	AMT2786, AMT2981	Roller - Smooth Solid Steel	1	
---	-----------------	---------------------	-----------------------------	---	--

Tech Note: Machined from solid steel, this heavy weight roller uses greasable "water-pump" style bearings.:

2	RAMT2784	AMT2979	Roller - Grooved Machined Solid Steel	1	
---	-----------------	---------	---------------------------------------	---	--

Tech Note: Machined from solid steel, this heavy weight roller uses greasable "water-pump" style bearings.:

Other Parts Available

30	RAA35741	AA35741, AET10129, TCA22836	Bearing	2	
----	-----------------	-----------------------------------	---------	---	--

Tech Note: 1/4" Side Hole:

31	R302-5	JD7797, JD7842, JD7844	Fitting - Grease	2	
----	---------------	------------------------------	------------------	---	--

All original equipment manufacturers names and part numbers are used for identification purposes only, and we are in no way implying that our products are original equipment parts. Prices subject to change without notice.