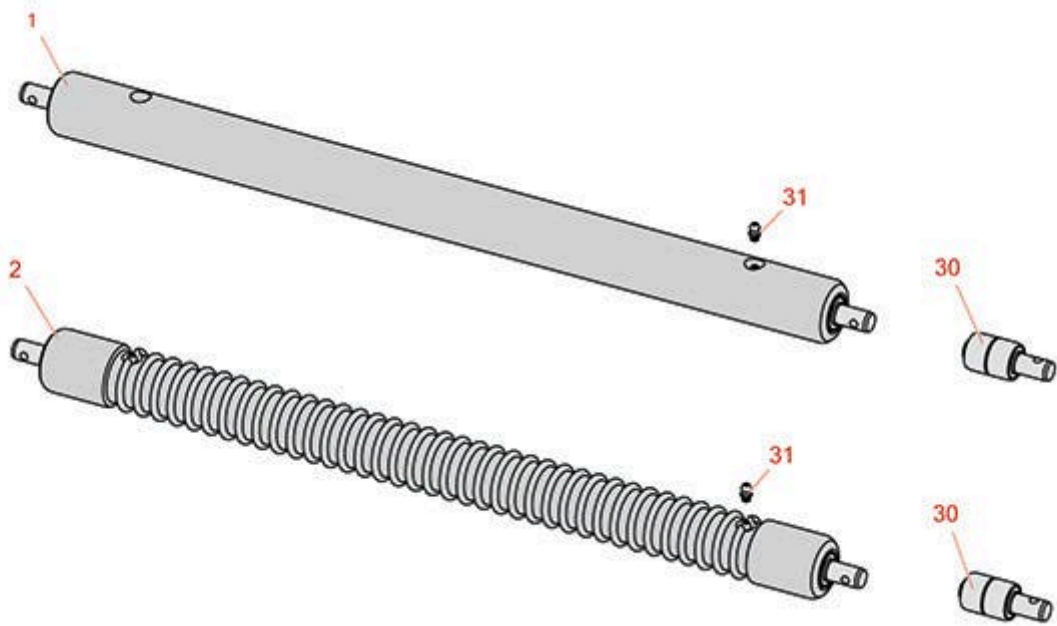




# Replaces John Deere 260B Walk-Behind Greens Mower Parts

Cutting Unit  
Rollers



All original equipment manufacturers names and part numbers are used for identification purposes only, and we are in no way implying that our products are original equipment parts. Prices subject to change without notice.



# Replaces John Deere 260B Walk-Behind Greens Mower Parts

Cutting Unit  
Rollers



Item No	R&R Part No.	OEM Part No.	Description	Qty Req	Order Quantity
---------	--------------	--------------	-------------	---------	----------------

## R&R Rollers to Fit 260C

1	<b>RAMT2787</b>	AMT2787, AMT2982	Roller - Smooth Solid Steel	1	
---	-----------------	---------------------	-----------------------------	---	--

*Tech Note: Machined from solid steel, this heavy weight roller uses greasable "water-pump" style bearings.:*

2	<b>RAMT2785</b>	AMT2785	Roller - Grooved Machined Solid Steel	1	
---	-----------------	---------	---------------------------------------	---	--

*Tech Note: Machined from solid steel, this heavy weight roller uses greasable "water-pump" style bearings.:*

## Other Parts Available

30	<b>RAA35741</b>	AA35741, AET10129, TCA22836	Bearing	2	
----	-----------------	-----------------------------------	---------	---	--

*Tech Note: 1/4" Side Hole:*

31	<b>R302-5</b>	JD7797, JD7842, JD7844	Fitting - Grease	2	
----	---------------	------------------------------	------------------	---	--

All original equipment manufacturers names and part numbers are used for identification purposes only, and we are in no way implying that our products are original equipment parts. Prices subject to change without notice.