

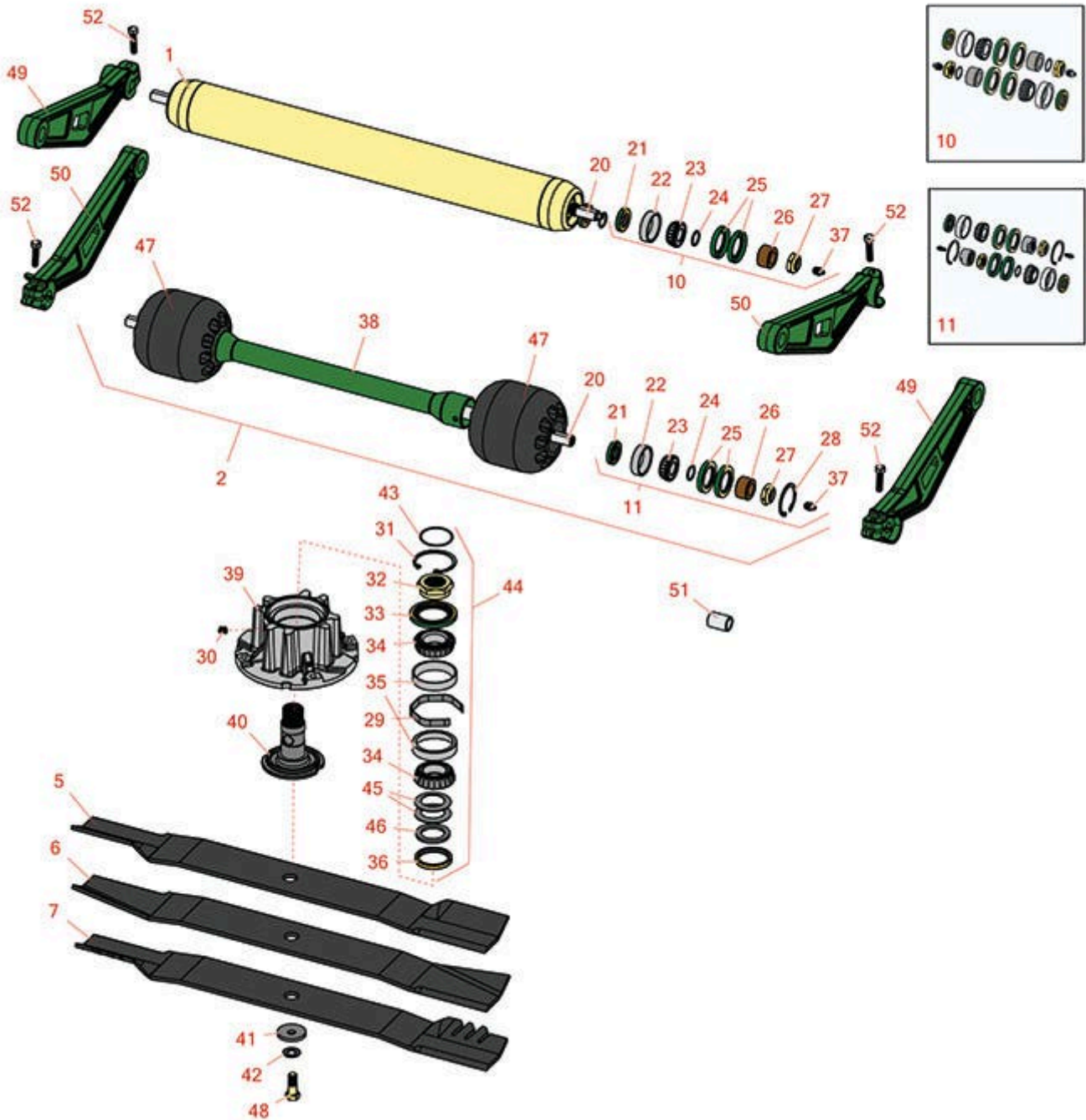


Replaces John Deere 9009A Rotary

Mower Parts

Rotary Cutting Unit

Rotary Cutting Unit



All original equipment manufacturers names and part numbers are used for identification purposes only, and we are in no way implying that our products are original equipment parts. Prices subject to change without notice.



Replaces John Deere 9009A Rotary

Mower Parts

Rotary Cutting Unit

Rotary Cutting Unit



Item No	R&R Part No.	OEM Part No.	Description	Qty Req	Order Quantity
---------	--------------	--------------	-------------	---------	----------------

Rollers

1	RTCA25970	RTCA25970, TCA25970	Roller Assy	5	
2	RTCA25911	TCA25911	Roller - Front - 27 in Units	5	

Rotary Blades

5	R500590	TCU27401	Mower Blade - 27 in High-Lift w/Hard Facing	5	
---	----------------	----------	--	---	--

Tech Note: Heavy Duty 1/4" x 3" Blade with hard faced edges for added wear:

6	R500592	TCU38740	Mower Blade - 27 in Low-Lift w/Hard Facing	5	
---	----------------	----------	---	---	--

Tech Note: Heavy Duty 1/4" x 2.5" Blade with hard faced edges for added wear:

7	R500593	TCU27876	Mower Blade - 27 in Mulcher w/Hard Facing	5	
---	----------------	----------	--	---	--

Tech Note: Heavy Duty 1/4" x 3" Mulcher Blade with hard faced edges for added wear:

Overhaul Kits and Service Tools

10	RAET10632	AET10632	Overhaul Kit - Roller	5	
----	------------------	----------	-----------------------	---	--

Tech Note: Includes 4 ea: RET15755 Seal; 2 ea: R237-54 O-Ring, R253-122 Seal, R254-78 Bearing, R254-79 Cup, R3296-15 Locknut, R471219 Grease Zerk, RET15726 Sleeve, RET15756 Seal:

11	R500578		Overhaul Kit - Roller	5	
----	----------------	--	-----------------------	---	--

Other Parts Available

20	RTCUC39718	TCUC39718	Shaft - Roller - 29 in	10	
21	RET15756	ET15756, MT1739, MT739	Seal	20	
22	R254-79	JD8226	Cup - Bearing	20	

Tech Note: Use R254-79M installation mandrel to properly install race.:

All original equipment manufacturers names and part numbers are used for identification purposes only, and we are in no way implying that our products are original equipment parts. Prices subject to change without notice.



Replaces John Deere 9009A Rotary

Mower Parts

Rotary Cutting Unit

Rotary Cutting Unit



Item No	R&R Part No.	OEM Part No.	Description	Qty Req	Order Quantity
23	R254-78	JD8188	Tapered Bearing Cone	20	
24	R237-54	U46731, U6731	O-Ring - Small	20	
25	RET15755	ET15755	Seal - Oil	40	
26	RET15726	ET15726, RET15726	Sleeve - Wear Hardened	20	
27	R3296-15	N101345	Locknut - 3/4-16 Nylon Jam	20	
28	R40M1863	40M1863	Ring - Snap	10	
29	RTCUC32114	TCUC32114	Spacer - Spindle	5	
30	R170714	E14814	Fitting - Pressure Relief	5	
31	R32120-2	M42702	Ring - Retaining	5	
32	RTCUC27862	TCUC27862	Nut - Spindle	5	
33	RTCUC32975	TCUC32975	Seal	5	
34	RJD8194	JD8194	Tapered Bearing Cone	10	
35	RJD8230	JD8230	Tapered Bearing Cup	10	
36	RTCUC32974	TCUC32974	Seal	5	
37	R471219	471219, JD7759, JD7798	Zerk - Grease	20	
38	RTCA25913	TCA25913	Spacer - Axle	5	
39	RTCUC32112	TCUC32112	Housing - Spindle	5	
40	RTCUC39253	TCUC32113, TCUC39253	Spindle - Blade	5	
41	RM147138	M147138	Washer - Belville	5	

All original equipment manufacturers names and part numbers are used for identification purposes only, and we are in no way implying that our products are original equipment parts. Prices subject to change without notice.



Replaces John Deere 9009A Rotary

Mower Parts

Rotary Cutting Unit

Rotary Cutting Unit



Item No	R&R Part No.	OEM Part No.	Description	Qty Req	Order Quantity
42	RTC27937	TCU27937	Washer - Anti Friction	5	
43	RH142234	H142234	O - Ring	5	
44	RTCA25685	TCA25685	Spindle Assy	5	
45	RUC10061	RUC10061, UC10061	Disk Spring	10	
46	RUC10057	RUC10057, SU303558, UC10057	Thrust Washer - Hardened	5	
47	RTC38614	TCU38614	Roller - Front Gauge	10	
48	RTC28104	TCU28104	Bolt - Blade 10.9 Hardness	5	
49	RTC40213	TCU40213	Arm - Rotary Deck Roller	10	
50	RTC40214	TCU40214	Arm - Rotary Deck Roller	10	
51	RTC27014	TCU27014	Bushing	20	
52	R03M7187	03M7187	Bolt - M8 x 35	40	

All original equipment manufacturers names and part numbers are used for identification purposes only, and we are in no way implying that our products are original equipment parts. Prices subject to change without notice.