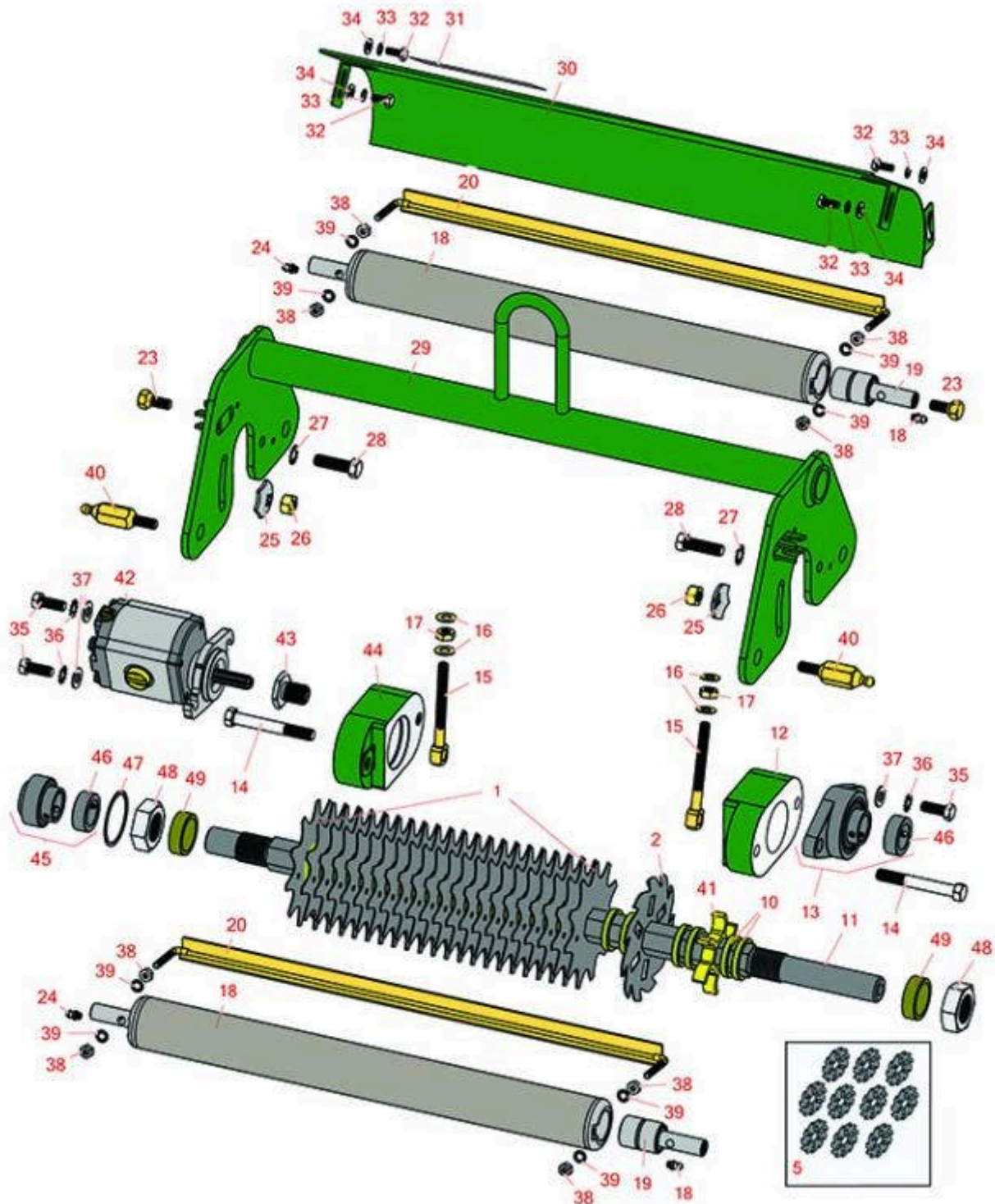




# Replaces R&R Products Greens Max 2200D Parts

Verti-Cut Unit with Rollers  
Verti-Cut Reel & Frame



All original equipment manufacturers names and part numbers are used for identification purposes only, and we are in no way implying that our products are original equipment parts. Prices subject to change without notice.



# Replaces R&R Products Greens Max

## 2200D Parts

Verti-Cut Unit with Rollers

Verti-Cut Reel & Frame



Item No	R&R Part No.	OEM Part No.	Description	Qty Req	Order Quantity
---------	--------------	--------------	-------------	---------	----------------

### Verti-Cut Blades

1	<b>R17-1590</b>		Verti-Cut Blade	36	
2	<b>R150209C</b>	R106-6355, R150209, RGCC-003, RTCU26776	Verti-Cut Blade - Carbide Tipped 2mm	36	
2	<b>R150109C</b>	R106-5422, RGCC-002	Verti-Cut Blade - Carbide Tipped 1.2mm	36	

### Overhaul Kits

5	<b>R106-6392</b>		Verti-Cut Blade Kit - 2mm Carbide Tipped	0	
---	------------------	--	--	---	--

*Tech Note: Includes Carbide Tipped Blades to rebuild 3 dethatching reels: 108 ea: R150209C  
Vertical Mower Blade:*

### Other Parts Available

10	<b>R17-1600</b>		Spacer - V-Cut Reel 1/4	72	
11	<b>R17-1570</b>		Shaft - Hex Verti-Cut	1	
12	<b>R17-1520G</b>		Weight - Counter V-Cut - Green	1	
13	<b>R251-247</b>		Bearing - Flanged V-Cut Sft	1	
14	<b>R324-13</b>		Bolt - Hex HD 7/16 x 3-1/4	2	
15	<b>R17-1510</b>		Eyebolt	2	
16	<b>R17-1710</b>		Washer - Flat 3/8 Yellow USS	4	

All original equipment manufacturers names and part numbers are used for identification purposes only, and we are in no way implying that our products are original equipment parts. Prices subject to change without notice.



# Replaces R&R Products Greens Max 2200D Parts

*Verti-Cut Unit with Rollers  
Verti-Cut Reel & Frame*



Item No	R&R Part No.	OEM Part No.	Description	Qty Req	Order Quantity
17	<b>R3217-7</b>	3217-7, R01-188-0616, R1441, R14H1076, R22-13-AJD, R513296, R513415, R513425, R915113P	Nut - 3/8-16 Hex Plated	4	
18	<b>R150218</b>		Roller - V-Cut	2	
19	<b>R52-3180</b>	R21-6410	Bearing - Front Roller	4	
20	<b>R150220</b>		Scraper - Front / Rear Rollers	2	
23	<b>R150219</b>		Bolt - Rear Roller	2	
24	<b>R302-5</b>	R173-0, R21-6010, R255825, R302-37, R302-47, R302-57, R302-58, R302-6, R31-0300, R32-9660, R471214, R471223, R471226, R60-0800, R62-3880, R92-4181, RJD7797, RJD7842, RJD7844, RM0004	Fitting - Grease	4	
25	<b>R3290-334</b>		Washer - Lock Pyramidal	2	
26	<b>R443114</b>		Nut - 7/16 Hex Yellow Zinc	2	
27	<b>R3255-16</b>		Washer - Lock 7/16 Ext Tooth	2	

All original equipment manufacturers names and part numbers are used for identification purposes only, and we are in no way implying that our products are original equipment parts. Prices subject to change without notice.



# Replaces R&R Products Greens Max 2200D Parts

*Verti-Cut Unit with Rollers  
Verti-Cut Reel & Frame*



Item No	R&R Part No.	OEM Part No.	Description	Qty Req	Order Quantity
28	<b>R324-6</b>	R01-150-1690, R01-178-0712, R20-68-AGD, R3225-3	Bolt - Hex HD 7/16-14 x 1-1/2	2	
29	<b>R150212G</b>		Frame - V-Cut - Green	1	
30	<b>R17-1530G</b>		Shield - Grass V-Cut - Green	1	
30	<b>R17-1530S</b>		Shield - Grass V-Cut - Stainless	1	
31	<b>R354083</b>	R104-7729, R361877	Decal - Danger	1	
32	<b>R329-1</b>		Bolt - Hex HD 1/4-28 x 5/8	4	
33	<b>R3255-7</b>	R76-5310	Washer - Lock 1/4 Ext Star Z	4	
34	<b>R3256-22</b>	R09061, R24-9-BD, R3-1032, R93-0954, R93-0989	Washer - Flat 1/4 Yellow	4	
35	<b>R323-6</b>	323-6, R01-150-0010, R01-178-0608, R20-47-AD, R20-47-AGD, R3224-2, R49-3510, R908034P, R908332	Bolt - Hex HD 3/8-16 x 1 GR5 YZ	2	
36	<b>R3255-9</b>	RF3077	Washer - Lock 3/8 Ext. Star	2	

All original equipment manufacturers names and part numbers are used for identification purposes only, and we are in no way implying that our products are original equipment parts. Prices subject to change without notice.



# Replaces R&R Products Greens Max 2200D Parts

*Verti-Cut Unit with Rollers  
Verti-Cut Reel & Frame*



Item No	R&R Part No.	OEM Part No.	Description	Qty Req	Order Quantity
37	<b>R453011</b>	3256-24, 453011, R01-166-0100, R01-166-0120, R01-166-0270, R01-166-0500, R01-166-0600, R01-166-0620, R132-4593, R237-12, R24-10-AD, R24-11-AD, R24-11-BD, R24-12-AD, R24-12-BD, R30-9310, R32-8190, R3256-24, R3256-3, R3256-36, R3256-4, R47-9950	Washer - Flat 3/8 SAE Y/Zinc	2	
38	<b>R3219-1</b>	R01-158-0590, R01-188-0428, R14H860	Nut - 1/4-28	8	
39	<b>R3254-8</b>	R3	Washer - Lock 1/4 Int Star Z	8	
40	<b>R150213</b>		Ball Joint - Special V-Cut	2	
41	<b>R150230</b>		Spacer - 1/2 Ventilated V-Cut	36	
42	<b>R105-9770</b>	R10-5090, R26-5690, R70-9800, R94-3506, R94-3507	Hydraulic Motor - Reel Quick Release	1	
43	<b>R10-5100</b>		Nut - Splined 1-1/8 Long	1	
44	<b>R17-1610G</b>		Housing - Bearing V-Cut - Green	1	
45	<b>R251-206</b>		Bearing	1	
46	<b>R251-77</b>		Collar - Bearing	2	

All original equipment manufacturers names and part numbers are used for identification purposes only, and we are in no way implying that our products are original equipment parts. Prices subject to change without notice.



# Replaces R&R Products Greens Max 2200D Parts

*Verti-Cut Unit with Rollers*  
*Verti-Cut Reel & Frame*



Item No	R&R Part No.	OEM Part No.	Description	Qty Req	Order Quantity
47	<b>R32120-77</b>		Ring - Retaining	1	
48	<b>R3220-18</b>	R67-5840	Nut - Jam V-Cut Shaft	2	
49	<b>R17-1580</b>		Spacer - V-Cut Reel 1/2	2	

All original equipment manufacturers names and part numbers are used for identification purposes only, and we are in no way implying that our products are original equipment parts. Prices subject to change without notice.