

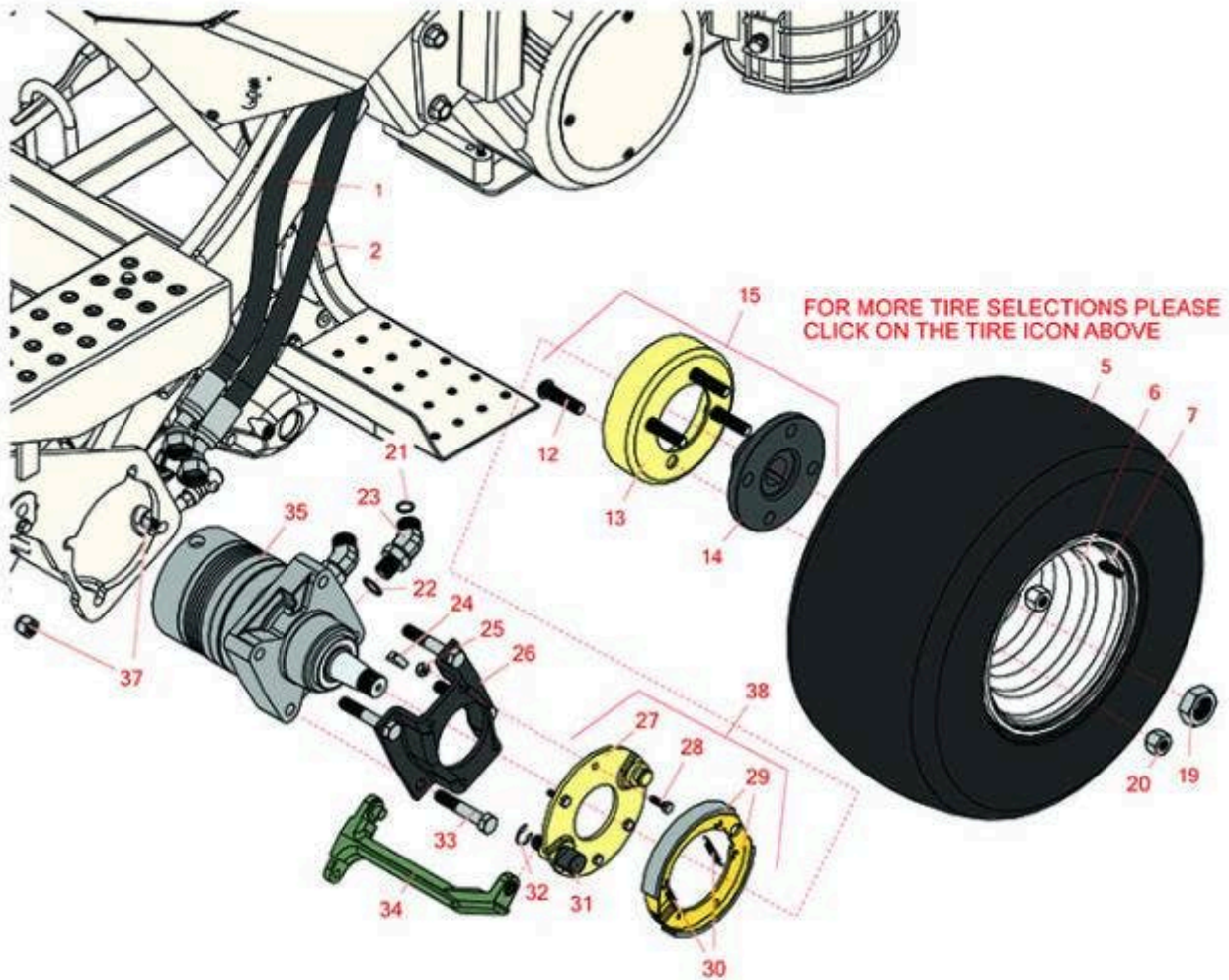


Replaces R&R Products Greens Max

2200LP Parts

Traction Unit

Front Wheel & Brake



All original equipment manufacturers names and part numbers are used for identification purposes only, and we are in no way implying that our products are original equipment parts. Prices subject to change without notice.



Replaces R&R Products Greens Max

2200LP Parts

Traction Unit

Front Wheel & Brake



Item No	R&R Part No.	OEM Part No.	Description	Qty Req	Order Quantity
---------	--------------	--------------	-------------	---------	----------------

Hoses

1	R105-4336		Hydraulic Hose Assy	1	
2	R105-4333		Hydraulic Hose Assy	1	

Tires

5	RCT510981		Tire - 18 - 9.50 x 8 (4 Ply) Carlisle Smooth	2	
5	RTK958-4SM-I	RTK958-2SM-I	Tire - 18x9.50-8 (4 Ply) Kenda Smooth	2	
6	R217-60	R242-49	Wheel - with Valve Stem - White	2	
7	R232-27	R232-31, R360111	Stem - Valve w/ Cap	2	

Other Parts Available

12	R85-6540		Stud - Drive 1/2-20 x 2	8	
13	R10-6850		Drum - Brake	2	
14	R10-6870-03	R10-6870	Hub - Wheel	2	
15	R10-6821	R10-6820	Hub and Drum Assy	1	
19	R26-3790		Nut - Hex - Wheel Motor 1-20	2	
20	R242-50		Nut - 1/2-20 Wheel	8	
21	R237-65		O-Ring	4	
22	R237-80	R327-80	O-Ring	4	
23	R340-14	R96-0861	Hydraulic Fitting - 45 Deg	4	
24	R3257-42		Key - Woodruff 5/16 x 1	2	

All original equipment manufacturers names and part numbers are used for identification purposes only, and we are in no way implying that our products are original equipment parts. Prices subject to change without notice.



Replaces R&R Products Greens Max

2200LP Parts

Traction Unit

Front Wheel & Brake



Item No	R&R Part No.	OEM Part No.	Description	Qty Req	Order Quantity
25	R301504	R32127-24, R32146-17, R3296-16, R3296-42, R915661P, RM40333	Locknut - ESNA 1/4-20	8	
26	R84-2000-03	R84-2000	Bracket - Brake	2	
27	R70-9870		Plate - Backing	2	
28	R321-5	R321-31, R400110	Bolt - Hex HD 1/4-20 x 7/8	8	
29	R70-9840		Shoe - Brake	4	
30	R70-9880		Spring - Brake Shoe	4	
31	R104-7707	R104-7708, R70-9850, R70-9860	Cam - Brake	2	
32	R150513	R104-7706	E - Clip - Brake Assy	2	
33	R325-11	R01-150-0330, R20-92-AGD	Bolt - Hex HD 1/2-13 x 2-3/4	8	
34	R93-2096	R71-1510	Arm - Brake	2	
35	R110-4015		Hydraulic Motor - LH Wheel	1	
35	R110-4016		Hydraulic Motor - RH Wheel	1	
37	RF5003	3296-23, R32127-29, R32131-5, R32132-5, R3296-23, R64229-05	Locknut - ESNA 1/2-13	8	
38	R150510	R27-4630	Brake Assy	2	

All original equipment manufacturers names and part numbers are used for identification purposes only, and we are in no way implying that our products are original equipment parts. Prices subject to change without notice.