

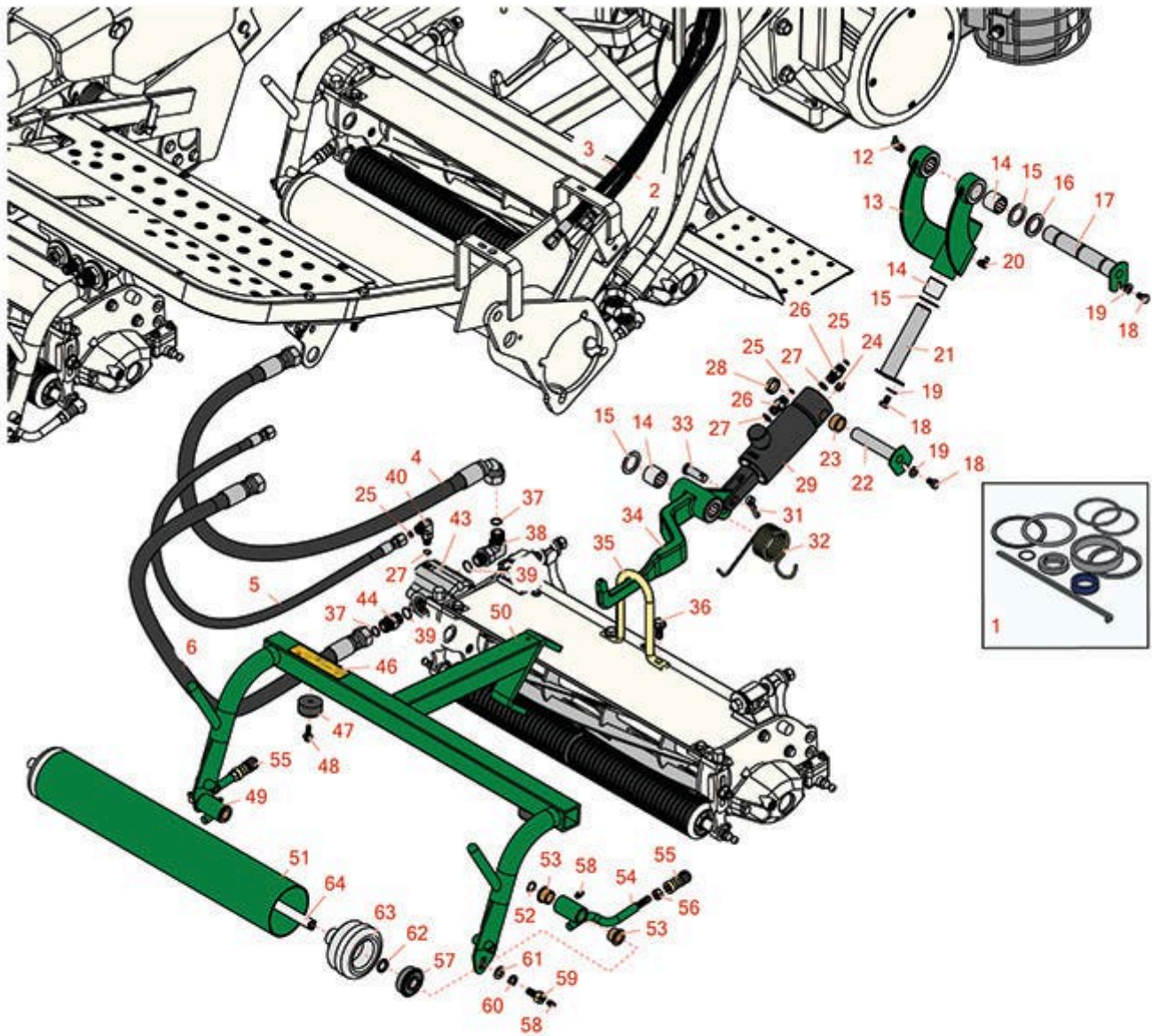


# Replaces R&R Products Greens Max

## 2200LP Parts

Traction Unit

Left Pull Frame



All original equipment manufacturers names and part numbers are used for identification purposes only, and we are in no way implying that our products are original equipment parts. Prices subject to change without notice.



# Replaces R&R Products Greens Max

## 2200LP Parts

Traction Unit

Left Pull Frame



Item No	R&R Part No.	OEM Part No.	Description	Qty Req	Order Quantity
<b>Overhaul Kits and Service Tools</b>					
1	<b>R107-2564</b>		Seal Kit - Fits 107-1981 Hyd Cyl	1	
<b>Hoses</b>					
2	<b>R108-6508</b>		Hydraulic Hose Assy	1	
3	<b>R108-6507</b>		Hydraulic Hose Assy	1	
4	<b>R95-2909</b>	R93-2263	Hydraulic Hose Assy - Reel Motor	1	
5	<b>R106-9674</b>		Hydraulic Hose Assy	1	
6	<b>R95-2908</b>	R105-5403, R93-2262	Hydraulic Hose Assy - Reel Motor	1	
<b>Other Parts Available</b>					
12	<b>R323016</b>	R302-33	Zerk - Grease	1	
13	<b>R10-7820G</b>		Pivot Hinge Assy - Green	1	
14	<b>R3-0348</b>	R324124, R342124	Bushing	6	
15	<b>R10-8110</b>		Washer - Pivot Pin	6	
16	<b>R5-1226</b>		Spacer	2	
17	<b>R114-4683</b>		Pin - Hinge 6-1/4 Long	1	
18	<b>R322-1</b>	R01-178-0504, R20-22-AD, R20-22-AGD, R513337, RB310801	Bolt - Hex HD 5/16-18 x 1/2	3	

All original equipment manufacturers names and part numbers are used for identification purposes only, and we are in no way implying that our products are original equipment parts. Prices subject to change without notice.



# Replaces R&R Products Greens Max

## 2200LP Parts

Traction Unit

Left Pull Frame



Item No	R&R Part No.	OEM Part No.	Description	Qty Req	Order Quantity
19	<b>R453009</b>	3256-3, R01-166-0400, R24-10-BD, R24-9-AD, R24H1136, R32-9650, R3256-2, R3256-23, R3256-67, R3290-217, R3556-3, R4-2390, R452006, R7-0152	Washer - Flat 5/16 SAE	3	
20	<b>R302-60</b>		Zerk - Grease 90 Deg.	1	
21	<b>R10-6090</b>		Pin - Pivot 4 7/8 Long	1	
22	<b>R10-6060G</b>		Pin - Pivot 3-7/8 Long - Green	1	
23	<b>R74-3730</b>	R217-96	Spacer	1	
24	<b>R471219</b>	471219, R30-8360, R302-2, R302-24, R302-31, R471231, RJD7759, RJD7798	Zerk - Grease	1	
25	<b>R237-21</b>		O-Ring	3	
26	<b>R340-92</b>		Hydraulic Fitting - Striaight	2	
27	<b>R237-22</b>	R107-8844, R232-72, R237-78	O-Ring	3	
28	<b>R105-3828</b>		Spacer - Lift Cyl	1	
29	<b>R106-9066</b>		Hydraulic Cylinder - LH / RH	1	

All original equipment manufacturers names and part numbers are used for identification purposes only, and we are in no way implying that our products are original equipment parts. Prices subject to change without notice.



# Replaces R&R Products Greens Max

## 2200LP Parts

Traction Unit

Left Pull Frame



Item No	R&R Part No.	OEM Part No.	Description	Qty Req	Order Quantity
31	<b>R3272-11</b>	R01-151-0010, R01-151-0040, R28-18-D, R28-28-D, R3211-72	Pin - Cotter	1	
32	<b>R110-3952</b>	R106-9079	Spring - Torsion - LH	1	
33	<b>R283-8</b>	R17-3670, R7-2035	Clevis Pin - 1/2 x 1-27/64	1	
34	<b>R107-2598G</b>		Lift Arm Assy - LH - Green	1	
35	<b>R105-5740</b>		Hook - Lift	1	
36	<b>R33115-025</b>	R48-7780	Bolt - Hex HD M10-1.5 x 25	2	
37	<b>R237-30</b>	R23-6320	O-Ring - Seal	2	
38	<b>R340-98</b>		Hydraulic Fitting	1	
39	<b>R237-79</b>		O-Ring	2	
40	<b>R340-132</b>		Hydraulic Fitting - 90 Deg	1	
43	<b>R120-2072</b>	R100-6426, R108-6487, R112-9200, R93-1375	Hydraulic Gear Motor	1	
44	<b>R340-4</b>		Hydraulic Fitting - Male Connector	1	
46	<b>R93-6688</b>		Decal - Warning	1	
47	<b>R94-4548</b>		Rubber Bumper	2	
48	<b>R49-2040</b>	R32104-42, R32104-95, R32144-44	Bolt - Hex Washer 1/4-20 x 3/4	2	
49	<b>R92-0585G</b>		Arm - Pull RH - Green	1	
50	<b>R86-9810G</b>		Frame - Pull LH - Green	1	

All original equipment manufacturers names and part numbers are used for identification purposes only, and we are in no way implying that our products are original equipment parts. Prices subject to change without notice.



# Replaces R&R Products Greens Max

## 2200LP Parts

*Traction Unit  
Left Pull Frame*



Item No	R&R Part No.	OEM Part No.	Description	Qty Req	Order Quantity
51	<b>R99-4277G</b>		Basket Roller - Smooth - Green	1	
52	<b>R3290-317</b>		Washer - Wave	2	
53	<b>R3-1506</b>	R256-287, R3709088, R4-4550, R75-2160, R9329	Bushing - Bronze	4	
54	<b>R92-0586G</b>		Arm - Pull LH - Green	1	
55	<b>R99-1460</b>	R2411-28, R2411-29, R2411-30, R2411-6, R2411-8, R8-7710, R94-2959	Receiver - Ball Joint	2	
56	<b>R3220-3</b>	R01-191-0624, R3290-149	Nut - Jam Ball Joint	2	
57	<b>R251-141</b>		Bearing - Roller	2	
58	<b>R302-5</b>	R173-0, R21-6010, R255825, R302-37, R302-47, R302-57, R302-58, R302-6, R31-0300, R32-9660, R471214, R471223, R471226, R60-0800, R62-3880, R92-4181, RJD7797, RJD7842, RJD7844, RM0004	Fitting - Grease	4	

All original equipment manufacturers names and part numbers are used for identification purposes only, and we are in no way implying that our products are original equipment parts. Prices subject to change without notice.



# Replaces R&R Products Greens Max

## 2200LP Parts

*Traction Unit  
Left Pull Frame*



Item No	R&R Part No.	OEM Part No.	Description	Qty Req	Order Quantity
59	<b>R11-0160</b>		Screw - Roller Shaft	2	
60	<b>R3253-21</b>	3253-21, R215-51, R30-8470, R7-1912, RMT3949	Washer - Lock 3/8	2	
61	<b>R453011</b>	3256-24, 453011, R01-166-0100, R01-166-0120, R01-166-0270, R01-166-0500, R01-166-0600, R01-166-0620, R132-4593, R237-12, R24-10-AD, R24-11-AD, R24-11-BD, R24-12-AD, R24-12-BD, R30-9310, R32-8190, R3256-24, R3256-3, R3256-36, R3256-4, R47-9950	Washer - Flat 3/8 SAE Y/Zinc	2	
62	<b>R253-83</b>		Seal - Oil 7/8 OD x 5/8 ID	2	
63	<b>R25-5551</b>		Roller End - Alum Basket Roller	2	
64	<b>R21-8470</b>		Shaft - Roller	1	

All original equipment manufacturers names and part numbers are used for identification purposes only, and we are in no way implying that our products are original equipment parts. Prices subject to change without notice.