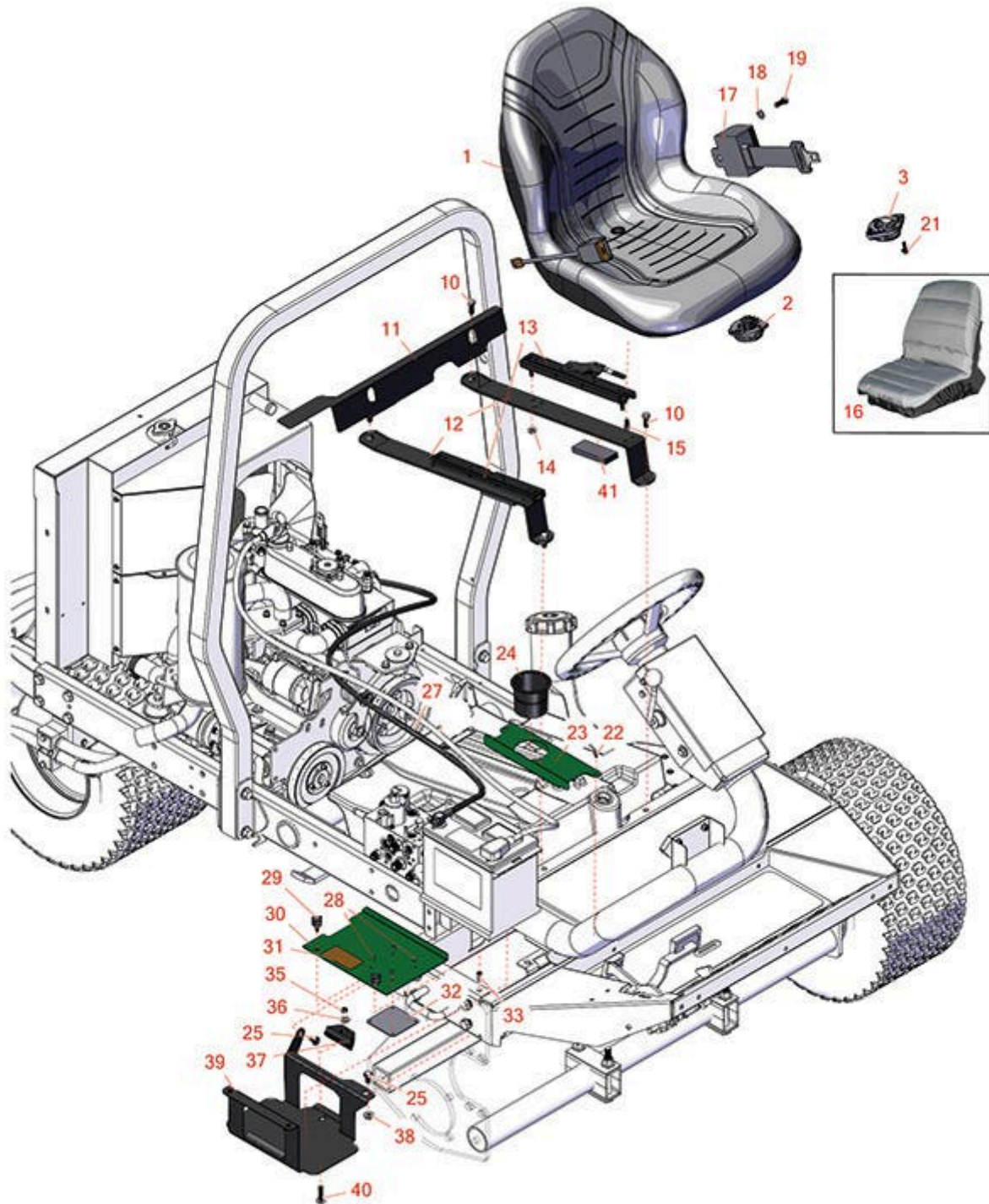




# Replaces R&R Products Reel Max 331LP

## Parts

Traction Unit  
Battery & Seat



All original equipment manufacturers names and part numbers are used for identification purposes only, and we are in no way implying that our products are original equipment parts. Prices subject to change without notice.



# Replaces R&R Products Reel Max 331LP

## Parts

Traction Unit  
Battery & Seat



Item No	R&R Part No.	OEM Part No.	Description	Qty Req	Order Quantity
1	<b>RMXB200GY</b>	R100-3187, R1001774, R104-4620, R21-4880, R351-59, R351-76, R4139438, R49-8130, R63-9410, R66-5400, R66172, R75-9190, R750105, R92-6280	Milsco Seat XB200 - Grey	1	
<i>Tech Note: This seat will not accept seat belts:</i>					
<b>Other Parts Available</b>					
2	<b>R151541</b>		Delta Seat Switch - Twist Mount 1 Pole Normally Open	0	
3	<b>R92-6282</b>	R554390, RAET10449	Switch - Kill - Seat	1	
10	<b>R3234-11</b>		Bolt - Hex Washer HD	4	
11	<b>R104-4833-03</b>		Shield - Heat	1	
12	<b>R104-4847-03</b>		Strap - Seat Support	2	
13	<b>R150224</b>	R133-8896, R92-8990, R92-8991	Adjusters - Seat (Set of 2)	1	
14	<b>R104-8300</b>	R119-4041	Locknut - 5/16-18 Flanged Y/Zinc	4	
15	<b>R322-2</b>	R513338P	Bolt - Hex HD 5/16-18 x 5/8	4	
16	<b>R120-5179</b>		Large Seat Cover - Gray	1	
17	<b>R150848</b>	R100-4928, R95-8910	Belt-Seat	1	

All original equipment manufacturers names and part numbers are used for identification purposes only, and we are in no way implying that our products are original equipment parts. Prices subject to change without notice.



# Replaces R&R Products Reel Max 331LP

## Parts

*Traction Unit  
Battery & Seat*



Item No	R&R Part No.	OEM Part No.	Description	Qty Req	Order Quantity
18	<b>R3253-6</b>	R01-166-0710, R23-12-GD, R59-7590, RF4076	Washer - Lock 7/16 Zinc	2	
19	<b>R400370</b>		Bolt - Hex HD 7/16-20 x 1 GR5	2	
21	<b>R32144-10</b>	R32140-81, R32144-3, R34-140-AMVD	Bolt - 1/4-20 x 3/4 Serrated Hx Wshr	2	
22	<b>R300403</b>	R09110, R32144-4, R32144-63	Bolt - Hex HD 1/4-20 x 1/2	2	
23	<b>R95-8817G</b>		Cover-Battery, Inner - Green	1	
24	<b>R94-1410</b>	R151023	Holder - Beverage Can	1	
25	<b>R3234-1</b>		Bolt - Flanged Serrated Hex HD 3/8-16 x 3/4	4	
27	<b>R95-8854</b>		Cable - Battery - Neg	1	
28	<b>R3269-27</b>		Rivet - Snap	4	
29	<b>R233-70</b>	R42619	Knob - Star - Three Prong	2	
30	<b>R99-3602G</b>		Battery Cover Assy	1	
31	<b>R93-7276</b>		Decal - Danger	1	
32	<b>R87-7620</b>		Shield - Terminal	1	
33	<b>R32148-6</b>		Insert - Nut	2	
35	<b>R3296-29</b>	3296-29, R1-804256, R915662P	Locknut - 5/16-18 ESNA	1	

All original equipment manufacturers names and part numbers are used for identification purposes only, and we are in no way implying that our products are original equipment parts. Prices subject to change without notice.



# Replaces R&R Products Reel Max 331LP Parts

*Traction Unit  
Battery & Seat*



Item No	R&R Part No.	OEM Part No.	Description	Qty Req	Order Quantity
36	<b>R453011</b>	3256-24, 453011, R01-166-0100, R01-166-0120, R01-166-0270, R01-166-0500, R01-166-0600, R01-166-0620, R132-4593, R237-12, R24-10-AD, R24-11-AD, R24-11-BD, R24-12-AD, R24-12-BD, R30-9310, R32-8190, R3256-24, R3256-3, R3256-36, R3256-4, R47-9950	Washer - Flat 3/8 SAE Y/Zinc	1	
37	<b>R66-2490</b>		Retainer - Battery	1	
38	<b>R32128-43</b>	R30-8990, R3290-357	Nut - Flanged Whiz - 3/8-16	4	
39	<b>R95-8796-03</b>	R95-8796	Support -Battery	1	
40	<b>R3230-6</b>		Bolt - Carraige	1	
41	<b>R95-8896</b>		Foam	2	

All original equipment manufacturers names and part numbers are used for identification purposes only, and we are in no way implying that our products are original equipment parts. Prices subject to change without notice.