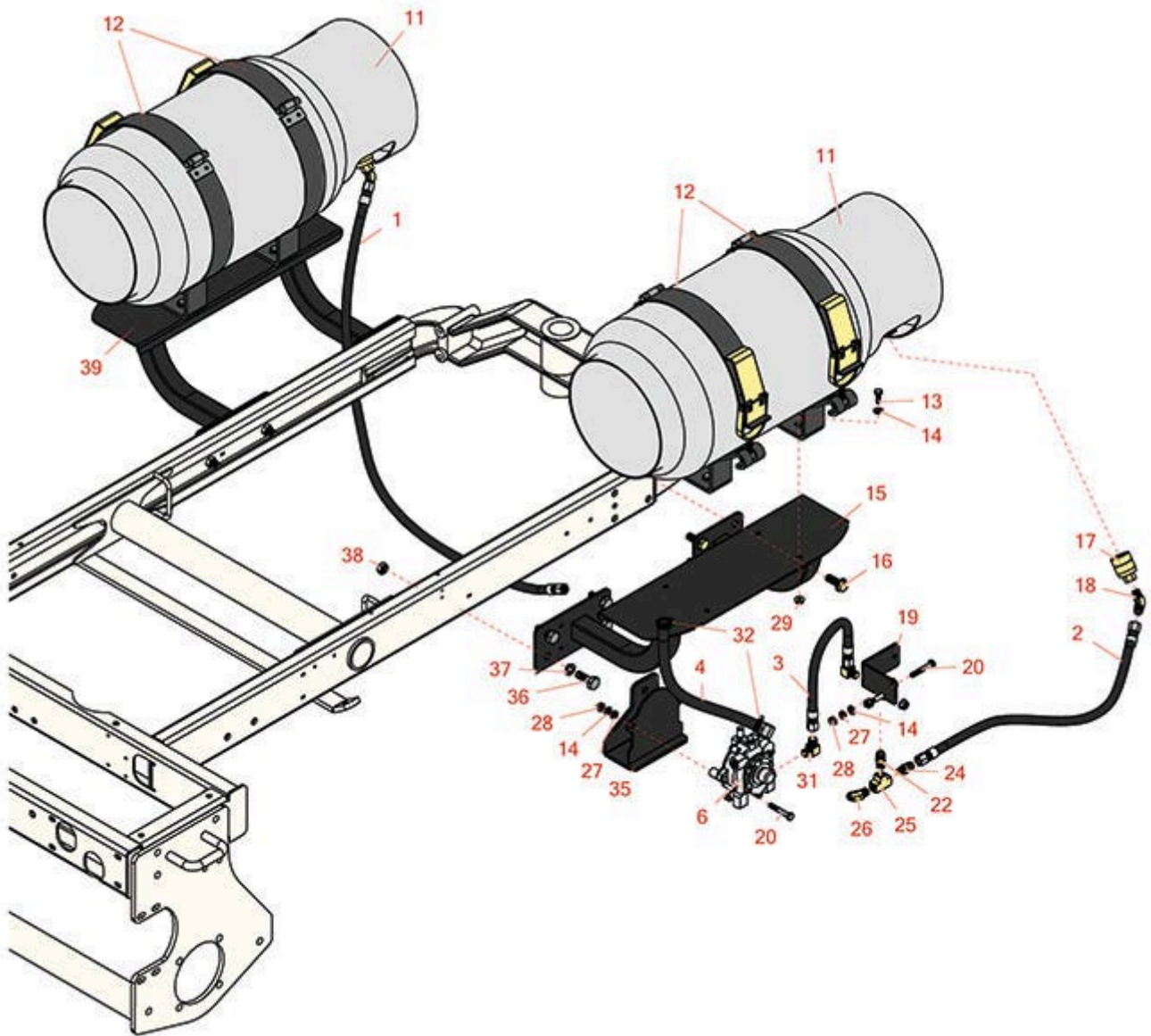




Replaces R&R Products Reel Max 331LP

Parts

Traction Unit
Fuel System



All original equipment manufacturers names and part numbers are used for identification purposes only, and we are in no way implying that our products are original equipment parts. Prices subject to change without notice.



Replaces R&R Products Reel Max 331LP

Parts

Traction Unit
Fuel System



| Item No | R&R Part No. | OEM Part No. | Description | Qty Req | Order Quantity |
|------------------------------|--------------|----------------------------------------------------------------------------------------------------------------------------------------------------------------------------------|---------------------------------------|---------|----------------|
| Hoses | | | | | |
| 1 | R151361 | | Hose Assy - RH High Pressure LP 50 in | 1 | |
| 2 | R151293 | | Hose | 1 | |
| 3 | R151365 | | Hose - 13 in Low Pressure - 1/2 ID | 1 | |
| 4 | R151366 | | Hose - 33 in Vacuum | 1 | |
| Gauges and Controls | | | | | |
| 6 | RXEG65199900 | RXEG65146050, RXEG65146920 | Kubota Kit Vaporizer | 1 | |
| Other Parts Available | | | | | |
| 11 | R151330 | | Cylinder - 33.5lb Propane | 2 | |
| 12 | R151166 | | Strap - Propane Tank | 4 | |
| 13 | R322-4 | R3290-115, R908018P | Bolt - Hex HD 5/16-18 x 7/8 | 8 | |
| 14 | R453009 | 3256-3, R01-166-0400, R24-10-BD, R24-9-AD, R24H1136, R32-9650, R3256-2, R3256-23, R3256-67, R3290-217, R3556-3, R4-2390, R452006, R7-0152 | Washer - Flat 5/16 SAE | 12 | |
| 15 | R151333 | | Propane Tank Mount - LH | 1 | |
| 16 | R3234-38 | | Bolt - Flanged Hex 1/2-13 x 1-1/4 | 8 | |

All original equipment manufacturers names and part numbers are used for identification purposes only, and we are in no way implying that our products are original equipment parts. Prices subject to change without notice.



Replaces R&R Products Reel Max 331LP

Parts

*Traction Unit
Fuel System*



| Item No | R&R Part No. | OEM Part No. | Description | Qty Req | Order Quantity |
|---------|--------------|----------------------------------------------------------------------------------------------------------------------------------------------------------------|---------------------------------------------------|---------|----------------|
| 17 | R151260 | | Quick Disconnect - 1 1/4 in Acme LH x 1/4 Nnpt Fm | 2 | |
| 18 | R151218 | | Brass 45 Elbow 3/8 Jic x 1/4 NPT | 2 | |
| 19 | R151369 | | Bracket - Fuel Lockout | 1 | |
| 20 | R400196 | | Bolt - Hex HD 5/16-18 x 2 | 4 | |
| 22 | R151219 | | Brass Reducer Nipple 1/4 x 3/8 NPT | 1 | |
| 24 | R151215 | | Brass Male Connector 3/8 Jic x 1/4 NPT | 1 | |
| 25 | R151221 | | Brass Tee 1/4 Female NPT | 1 | |
| 26 | R151216 | | Brass 90 Male Elbow 3/8 Jic x 1/4 NPT | 1 | |
| 27 | R446136 | 446136, R446134 | Washer - Lock 5/16 Zinc | 4 | |
| 28 | R443106 | 3218-2, 443106, R01-188-0518, R09003, R22-12-AJD, R32111-4, R3217-4, R3217-6, R513295, R513412, R915112P, R915978, R915979 | Nut - 5/16-18 Y/Zinc Plated | 4 | |
| 29 | R104-8300 | R119-4041 | Locknut - 5/16-18 Flanged Y/Zinc | 8 | |
| 31 | R151217 | | Brass 90 Male Elbow 3/8 Jic x 3/8 NPT | 2 | |
| 32 | R2412-129 | R94-3188, R94-3189, R94-3193, R94-3203, R94-3204 | Clamp - Worm 9/16-1 1/4 | 2 | |
| 35 | R151334 | | Mount - Pressure Regulator | 1 | |

All original equipment manufacturers names and part numbers are used for identification purposes only, and we are in no way implying that our products are original equipment parts. Prices subject to change without notice.



Replaces R&R Products Reel Max 331LP

Parts

*Traction Unit
Fuel System*



| Item No | R&R Part No. | OEM Part No. | Description | Qty Req | Order Quantity |
|---------|----------------|------------------------------------------------------------------------------------------------------------------------------------|------------------------------|---------|----------------|
| 36 | R400408 | 325-6, R01-150-0090, R01-178-0812, R20-87-AD, R20-87-AGD, R20-87-AGF, R3226-2, R325-6, R513376, R513378 | Bolt - Hex HD 1/2-13 x 1-1/2 | 8 | |
| 37 | R446154 | R446152 | Washer - Lock 1/2 | 8 | |
| 38 | R443118 | R01-188-0813, R22-15-AJD, R3217-9 | Nut - 1/2-13 Zinc | 8 | |
| 39 | R151332 | | Propane Tank Mount - RH | 1 | |

All original equipment manufacturers names and part numbers are used for identification purposes only, and we are in no way implying that our products are original equipment parts. Prices subject to change without notice.