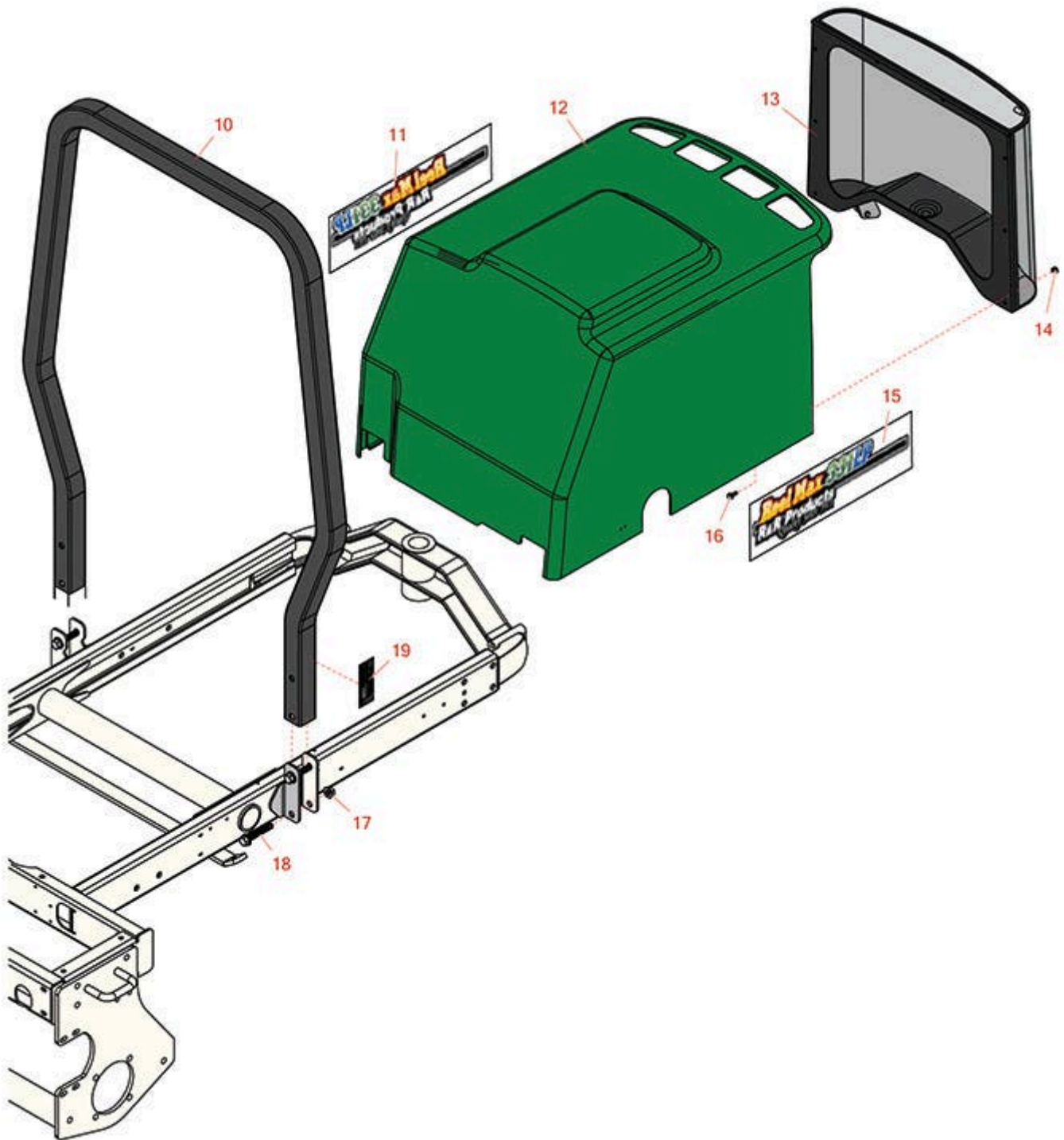




# Replaces R&R Products Reel Max 331LP

## Parts

Traction Unit  
Hood & Roll Bar



All original equipment manufacturers names and part numbers are used for identification purposes only, and we are in no way implying that our products are original equipment parts. Prices subject to change without notice.



# Replaces R&R Products Reel Max 331LP

## Parts

*Traction Unit  
Hood & Roll Bar*



Item No	R&R Part No.	OEM Part No.	Description	Qty Req	Order Quantity
10	<b>R151192</b>		Roll Bar (Rops)	1	
11	<b>R151601DR</b>		Decal - 331LP RH	1	
12	<b>R151400</b>		Hood - Green	1	
13	<b>R104-4853-03</b>		Screen Assy - Hood	1	
14	<b>R301504</b>	R32127-24, R32146-17, R3296-16, R3296-42, R915661P, RM40333	Locknut - ESNA 1/4-20	8	
15	<b>R151601DL</b>		Decal - 331LP LH	1	
16	<b>R3234-4</b>		Bolt - Hx Ser Was HD 1/4-20 x 3/4	8	
17	<b>R32128-49</b>		Nut - 1/2-13 Hex Flange	4	
18	<b>R3234-40</b>	R018-7016-00	Bolt - Hx Fl	4	
19	<b>R150995</b>		Decal - ISO For Rops - Trim and Surround Mowers	1	

All original equipment manufacturers names and part numbers are used for identification purposes only, and we are in no way implying that our products are original equipment parts. Prices subject to change without notice.