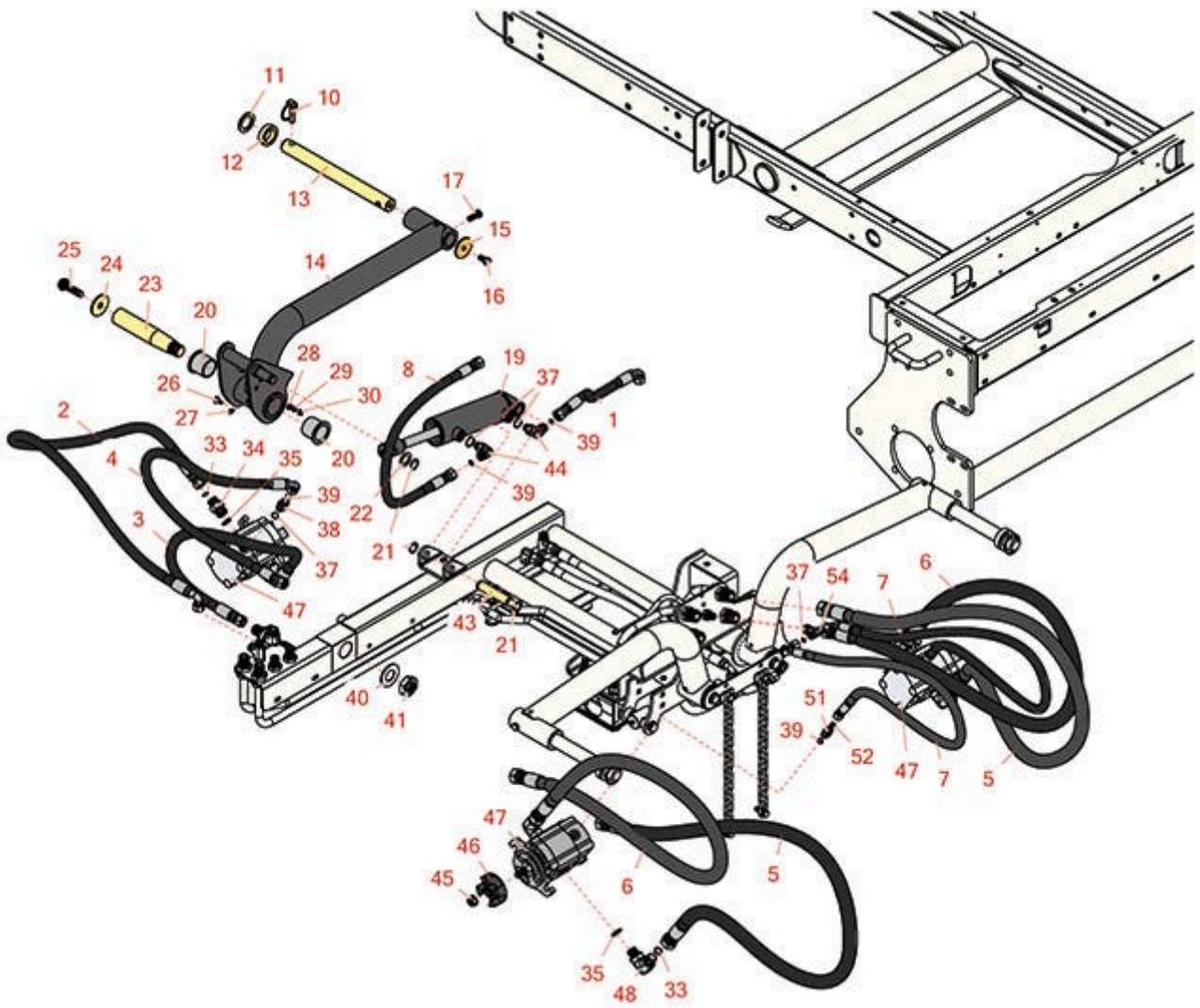




# Replaces R&R Products Reel Max 331LP

## Parts

Traction Unit  
Rear Lift & Motors



All original equipment manufacturers names and part numbers are used for identification purposes only, and we are in no way implying that our products are original equipment parts. Prices subject to change without notice.



# Replaces R&R Products Reel Max 331LP

## Parts

Traction Unit  
Rear Lift & Motors



Item No	R&R Part No.	OEM Part No.	Description	Qty Req	Order Quantity
<b>Hoses</b>					
1	R95-8831		Hydraulic Hose Assy	1	
2	R95-8826		Hydraulic Hose Assy	1	
3	R95-8827		Hydraulic Hose Assy	1	
4	R95-8828		Hydraulic Hose Assy	1	
5	R95-8836		Hydraulic Hose Assy	1	
6	R95-8835		Hydraulic Hose Assy	1	
7	R95-8837	R105-4348	Hydraulic Hose Assy	2	
8	R99-3576		Hydraulic Hose Assy	1	
<b>Other Parts Available</b>					
10	R283-71		Pin - Lynch Heavy Duty	1	
11	R3-6781		Washer - Thrust - Castor Wheel	1	
12	R63-0070	R26-1580	Spacer - 1/2 HOC	1	
13	R104-1392		Shaft-Pivot	1	
14	R115-3475	R95-8985	Lift Arm Assy - Rear	1	
15	R63-7400		Washer - Rebound	1	
16	R400258	R01-150-0800, R01-178-0600, R01-178-0606, R20-45-AD, R31-0200, R31-9910, R3224-1, R323-4	Bolt - Hex HD 3/8-16 x 3/4	1	

All original equipment manufacturers names and part numbers are used for identification purposes only, and we are in no way implying that our products are original equipment parts. Prices subject to change without notice.



# Replaces R&R Products Reel Max 331LP

## Parts

*Traction Unit  
Rear Lift & Motors*



Item No	R&R Part No.	OEM Part No.	Description	Qty Req	Order Quantity
17	<b>R323-6</b>	323-6, R01-150-0010, R01-178-0608, R20-47-AD, R20-47-AGD, R3224-2, R49-3510, R908034P, R908332	Bolt - Hex HD 3/8-16 x 1 GR5 YZ	1	
19	<b>R112-9916</b>	R108-9033	Hydraulic Cylinder	1	
20	<b>R69-6470</b>		Bushing - Flanged	2	
21	<b>R32120-93</b>		Snap Ring - HD	3	
22	<b>R3-6498</b>	R47-8270	Washer - Thrust	1	
23	<b>R95-8990</b>		Shaft - Pivot - Rear	1	
24	<b>R75-7730</b>		Washer - Thrust	1	
25	<b>R3234-27</b>		Bolt - 1/2-13 x 2 Hex	1	
26	<b>R3229-1</b>	R01-173-0406, R01-178-0408, R3229-25, R900015P	Bolt - 1/4-20 x 3/4 - Carriage	1	

All original equipment manufacturers names and part numbers are used for identification purposes only, and we are in no way implying that our products are original equipment parts. Prices subject to change without notice.



# Replaces R&R Products Reel Max 331LP

## Parts

*Traction Unit  
Rear Lift & Motors*



Item No	R&R Part No.	OEM Part No.	Description	Qty Req	Order Quantity
27	<b>R302-5</b>	R173-0, R21-6010, R255825, R302-37, R302-47, R302-57, R302-58, R302-6, R31-0300, R32-9660, R471214, R471223, R471226, R60-0800, R62-3880, R92-4181, RJD7797, RJD7842, RJD7844, RM0004	Fitting - Grease	1	
28	<b>R3256-22</b>	R09061, R24-9-BD, R3-1032, R93-0954, R93-0989	Washer - Flat 1/4 Yellow	1	
29	<b>R3253-3</b>	446130, R01-166-0070, R01-166-0410, R23-9-GD, R24-7150, R352-167, R446128, R446130	Washer - Lock 1/4	1	
30	<b>R443102</b>	R01-188-0420, R22-11-AJD, R3217-5	Nut - 1/4-20 Yellow Zinc	1	
33	<b>R237-30</b>	R23-6320	O-Ring - Seal	6	
34	<b>R340-6</b>		Hydraulic Fitting - Straight	2	
35	<b>R237-80</b>	R327-80	O-Ring	6	

All original equipment manufacturers names and part numbers are used for identification purposes only, and we are in no way implying that our products are original equipment parts. Prices subject to change without notice.



# Replaces R&R Products Reel Max 331LP

## Parts

*Traction Unit  
Rear Lift & Motors*



Item No	R&R Part No.	OEM Part No.	Description	Qty Req	Order Quantity
37	<b>R237-42</b>	R31-4160, R339897	O-Ring	4	
38	<b>R340-2</b>	R60-1920	Hydraulic Fitting - Striaight	1	
39	<b>R237-22</b>	R107-8844, R232-72, R237-78	O-Ring	4	
40	<b>R86-1480</b>		Washer - 1 3/4 x 1 x 3/16	1	
41	<b>R3220-9</b>		Nut-Jam	1	
43	<b>R95-8575</b>		Pin	1	
44	<b>R340-77</b>	R340-100, R95-7889	Hydraulic Fitting	2	
45	<b>R32128-48</b>		Locknut - 7/16-20 Flanged	3	
46	<b>R151132</b>		Coupling - Motor	3	
47	<b>R115-8250</b>		Motor - Gear	3	
48	<b>R340-105</b>		Hydraulic Fitting	4	
51	<b>R340-92</b>		Hydraulic Fitting - Striaight	2	
52	<b>R237-21</b>		O-Ring	2	
54	<b>R99-3477</b>		Fitting-Tee	1	

All original equipment manufacturers names and part numbers are used for identification purposes only, and we are in no way implying that our products are original equipment parts. Prices subject to change without notice.