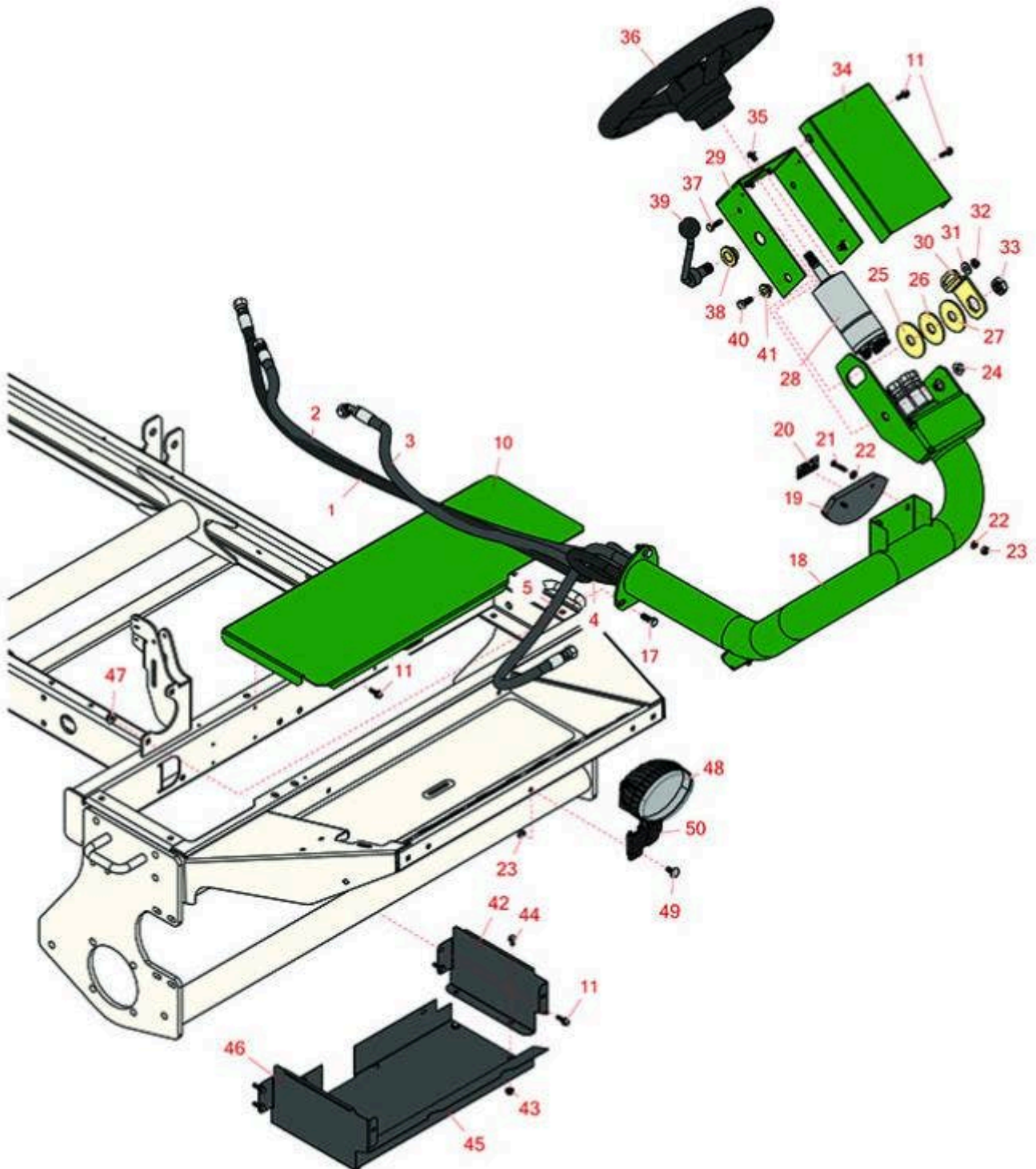




Replaces R&R Products Reel Max 331LP

Parts

Traction Unit
Steering Column



All original equipment manufacturers names and part numbers are used for identification purposes only, and we are in no way implying that our products are original equipment parts. Prices subject to change without notice.



Replaces R&R Products Reel Max 331LP

Parts

Traction Unit
Steering Column



| Item No | R&R Part No. | OEM Part No. | Description | Qty Req | Order Quantity |
|------------------------------|--------------|--|--|---------|----------------|
| Hoses | | | | | |
| 1 | R95-8845 | | Hydraulic Hose Assy | 1 | |
| 2 | R95-8844 | | Hydraulic Hose Assy | 1 | |
| 3 | R95-8846 | | Hydraulic Hose Assy | 1 | |
| 4 | R95-8842 | | Hydraulic Hose Assy | 1 | |
| 5 | R95-8843 | | Hydraulic Hose Assy | 1 | |
| Other Parts Available | | | | | |
| 10 | R99-3504G | | Toolbox Cover Assy - Green | 1 | |
| 11 | R32144-10 | R32140-81, R32144-3, R34-140-AMVD | Bolt - 1/4-20 x 3/4 Serrated Hx Wshr | 9 | |
| 17 | R3234-11 | | Bolt - Hex Washer HD | 4 | |
| 18 | R105-8536G | | Arm - Steering - Green | 1 | |
| 19 | R100-4929 | | Slope Indicator Assy | 1 | |
| 20 | R100-4837 | | Decal - Danger | 1 | |
| 21 | R321-7 | R321-26 | Bolt - Hex HD | 2 | |
| 22 | R3256-22 | R09061, R24-9-BD, R3-1032, R93-0954, R93-0989 | Washer - Flat 1/4 Yellow | 4 | |
| 23 | R301504 | R32127-24, R32146-17, R3296-16, R3296-42, R915661P, RM40333 | Locknut - ESNA 1/4-20 | 2 | |
| 24 | R32128-21 | 32128-21 | Locknut - Flanged 3/8-16 Whiz Top Lock | 2 | |

All original equipment manufacturers names and part numbers are used for identification purposes only, and we are in no way implying that our products are original equipment parts. Prices subject to change without notice.



Replaces R&R Products Reel Max 331LP

Parts

*Traction Unit
Steering Column*



| Item No | R&R Part No. | OEM Part No. | Description | Qty Req | Order Quantity |
|---------|-------------------|---|------------------------------------|---------|----------------|
| 25 | R31-0390 | | Disc- Friction | 1 | |
| 26 | R82-9010 | | Disc - Friction | 1 | |
| 27 | R80-2930 | | Washer - Flat | 1 | |
| 28 | R104-5180 | | Valve - Steering | 1 | |
| 29 | R104-5185G | | Bracket - Valve - Steering - Green | 1 | |
| 30 | R80-2880 | | Bracket - Tilt | 1 | |
| 31 | R453011 | 3256-24, 453011, R01-166-0100, R01-166-0120, R01-166-0270, R01-166-0500, R01-166-0600, R01-166-0620, R132-4593, R237-12, R24-10-AD, R24-11-AD, R24-11-BD, R24-12-AD, R24-12-BD, R30-9310, R32-8190, R3256-24, R3256-3, R3256-36, R3256-4, R47-9950 | Washer - Flat 3/8 SAE Y/Zinc | 1 | |
| 32 | R32128-44 | | Nut | 1 | |
| 33 | R3218-7 | R01-158-0560, R01-191-1210 | Nut - Jam | 1 | |
| 34 | R95-8794G | | Cover - Valve - Steering - Green | 1 | |
| 35 | R33103-012 | | Bolt - Flanged Hx HD | 4 | |
| 36 | R150921 | | Wheel - Steering 16 in | 1 | |

All original equipment manufacturers names and part numbers are used for identification purposes only, and we are in no way implying that our products are original equipment parts. Prices subject to change without notice.



Replaces R&R Products Reel Max 331LP

Parts

*Traction Unit
Steering Column*



| Item No | R&R Part No. | OEM Part No. | Description | Qty Req | Order Quantity |
|---------|--------------------|--|----------------------------------|---------|----------------|
| 37 | R322-5 | 322-5, R01-178-0508, R19H1905, R20-26-AD, R20-26-AGD, R30-9000, R400188, R513341, R519755, R908019P | Bolt - Hex HD 5/16-18 x 1 | 1 | |
| 38 | R99-3502 | | Boss | 1 | |
| 39 | R95-8798-03 | R95-8798 | Lever - Steering | 1 | |
| 40 | R400260 | R01-178-0605, R18-4100, R19-8270, R323-3, R323-33, R323-34, R323-5 | Bolt - Hex HD 3/8-16 x 7/8 | 2 | |
| 41 | R93-5988 | R93-5204 | Hub - Pivot | 2 | |
| 42 | R99-3432-03 | R99-3432 | End - Toolbox - LH | 1 | |
| 43 | R32128-33 | | Nut - 1/4-20 Flanged Serr | 4 | |
| 44 | R3234-13 | R960151P | Bolt - Flanged Hex 1/4-20 | 4 | |
| 45 | R99-3430-03 | R99-3430 | Bottom - Toolbox | 1 | |
| 46 | R99-3431-03 | R99-3431 | End - Toolbox - RH | 1 | |
| 47 | R32128-43 | R30-8990, R3290-357 | Nut - Flanged Whiz - 3/8-16 | 4 | |
| 48 | R151712 | R108-6471, R112-9177, R94-9024 | LED Oval Work Light - 12 LED 30w | 1 | |
| 49 | R3230-1 | R01-173-0506, R3230-20, R900037P | Bolt - Carriage 5/16-18 x 3/4 | 1 | |

All original equipment manufacturers names and part numbers are used for identification purposes only, and we are in no way implying that our products are original equipment parts. Prices subject to change without notice.



Replaces R&R Products Reel Max 331LP Parts

*Traction Unit
Steering Column*



| Item No | R&R Part No. | OEM Part No. | Description | Qty Req | Order Quantity |
|---------|----------------|--------------|---------------------|---------|----------------|
| 50 | R151016 | | Bracket - Headlight | 1 | |

All original equipment manufacturers names and part numbers are used for identification purposes only, and we are in no way implying that our products are original equipment parts. Prices subject to change without notice.