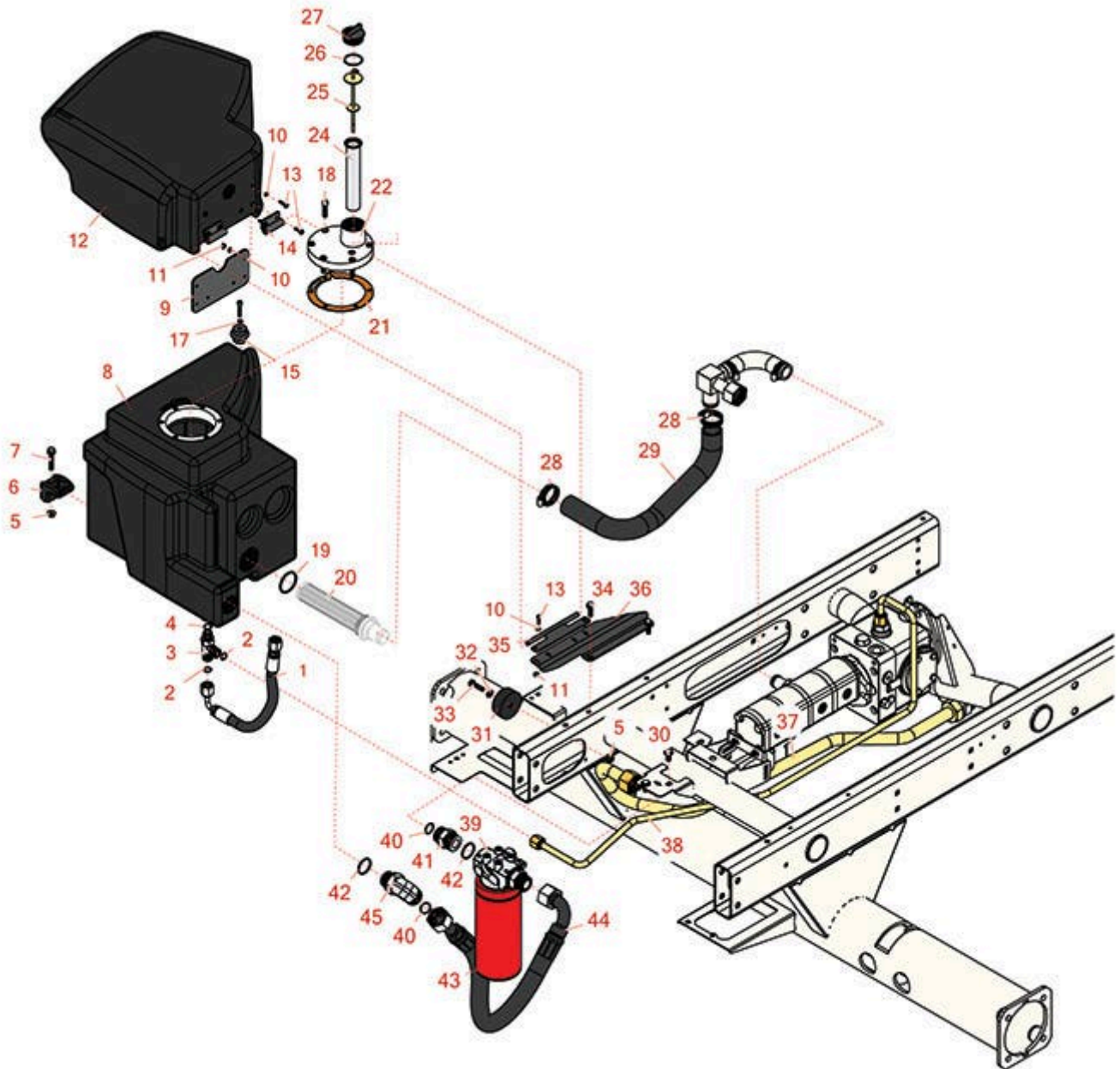




Replaces R&R Products Reel Max 744D

Parts

Traction Unit
Hydraulic Tank



All original equipment manufacturers names and part numbers are used for identification purposes only, and we are in no way implying that our products are original equipment parts. Prices subject to change without notice.



Replaces R&R Products Reel Max 744D

Parts

*Traction Unit
Hydraulic Tank*



Item No	R&R Part No.	OEM Part No.	Description	Qty Req	Order Quantity
1	R108-8428		Hydraulic Hose Assy	1	
2	R237-30	R23-6320	O-Ring - Seal	2	
3	R340-109		Hydraulic Fitting - Run Tee	1	
4	R237-79		O-Ring	1	
5	R104-8300	R119-4041	Locknut - 5/16-18 Flanged Y/Zinc	3	
6	R107-4543		Clamp	2	
7	R94-5780		Bolt - 5/16-18 x 1 3/4 Hx Fl	2	
8	R107-4513		Tank-Oil	1	
9	R108-1607-03		Plate-Hinge	1	
10	R3256-14	R24-7-BD, R297-3, R32125-2, R3256-51, R51-2170	Washer - 10 Flat	10	
11	R3296-12	R32127-20	Nut - 10-32 Nylon Lock	8	
12	R107-4545		Cover-Tank	1	
13	R32105-13		Screw - Hx Was HD 10-32 x 3/4	8	
14	R110-8925		Hinge Assy	2	
15	R151001		Post	1	
17	R24M7139		Washer - Flat 6mm	1	
18	R94-3559		Screw - Hex Socket Head	6	
19	R340-136		O-Ring	1	
20	R105-0131		Strainer-Tank - Oil	1	

All original equipment manufacturers names and part numbers are used for identification purposes only, and we are in no way implying that our products are original equipment parts. Prices subject to change without notice.



Replaces R&R Products Reel Max 744D

Parts

*Traction Unit
Hydraulic Tank*



Item No	R&R Part No.	OEM Part No.	Description	Qty Req	Order Quantity
21	R94-2660		Gasket- Hyd Tank	1	
22	R108-7641		Cap-Tank, Hyd	1	
24	R61-2790		Screen - Filler - Hyd Oil	1	
25	R94-9411		Dipstick - Hyd Oil	1	
26	R237-101		O-Ring	1	
27	R93-7498		Plug-Oil	1	
28	R2412-111		Clamp - Hose - Worm	2	
29	R108-1685		Hose - Formed	1	
30	R3234-1		Bolt - Flanged Serrated Hex HD 3/8-16 x 3/4	2	
31	R108-1605		Bumper-Recess	1	
32	R453009	3256-3, R01-166-0400, R24-10-BD, R24-9-AD, R24H1136, R32-9650, R3256-2, R3256-23, R3256-67, R3290-217, R3556-3, R4-2390, R452006, R7-0152	Washer - Flat 5/16 SAE	1	
33	R400190	R01-150-0720, R01-178-0510, R30-8680, R322-6, R513343	Bolt - Hex HD 5/16-18 x 1-1/4 GR5	1	
34	R3234-29		Bolt - 5/16-18x1 Serr Hex	2	
35	R110-8928		Pin Assy	1	

All original equipment manufacturers names and part numbers are used for identification purposes only, and we are in no way implying that our products are original equipment parts. Prices subject to change without notice.



Replaces R&R Products Reel Max 744D

Parts

*Traction Unit
Hydraulic Tank*



Item No	R&R Part No.	OEM Part No.	Description	Qty Req	Order Quantity
36	R108-1606-03		Bracket-Hinge	1	
37	R108-1699		Tube Assy	1	
38	R110-8915		Hydraulic Tube Assy	1	
39	R104-0080		Filter Head Assy w/Filter	1	
40	R340-65	R6815-002	O-Ring	4	
41	R104-3797		Hydraulic Fitting - Striaight	2	
42	R237-146	R340-146	O-Ring	3	
43	R94-2621		Baldwin Oil Filter - Hyd	1	
43	RRF10621		SilverGuard Oil Filter - Hyd	1	
44	R108-1689		Hydraulic Hose Assy	1	
45	R340-129		Hydraulic Fitting - 90 Deg	1	

All original equipment manufacturers names and part numbers are used for identification purposes only, and we are in no way implying that our products are original equipment parts. Prices subject to change without notice.