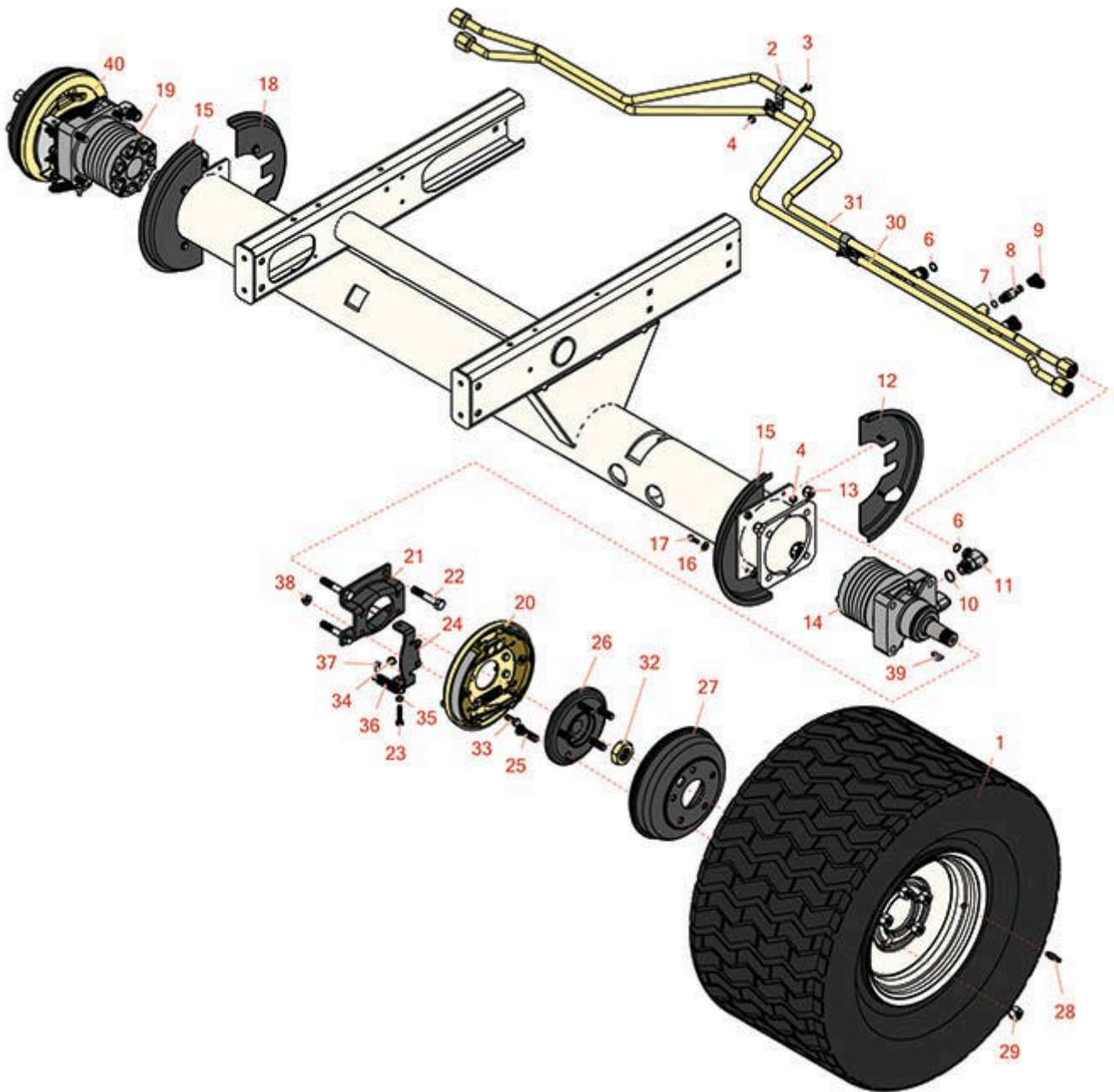




# Replaces R&R Products Reel Max 744LP

## Parts

Traction Unit  
Front Wheel



All original equipment manufacturers names and part numbers are used for identification purposes only, and we are in no way implying that our products are original equipment parts. Prices subject to change without notice.



# Replaces R&R Products Reel Max 744LP

## Parts

Traction Unit  
Front Wheel



Item No	R&R Part No.	OEM Part No.	Description	Qty Req	Order Quantity
---------	--------------	--------------	-------------	---------	----------------

### Tires

0	<b>TIRES</b>		<a href="#">Click Here to View Complete Tire Selection</a>	0	
1	<b>RCT529386</b>		Tire - 26.5x14.00-12 Nhs (4 Ply) Carlisle Ultra Trac	2	

*Detail Description: The Carlisle Ultra Trac tire is the ideal choice for specialized applications that prioritize high flotation and turf preservation. With its wide, flat footprint, reduced void in the tread, low ground pressure, good traction, and even pressure distribution, this tire delivers exceptional turf protection and performance. Whether you're maintaining golf courses or engaging in grounds maintenance, the Carlisle Ultra Trac tire ensures optimal turf preservation and reliable operation.:*

### Other Parts Available

2	<b>R2412-134</b>		R-Clamp	4	
3	<b>R3234-4</b>		Bolt - Hx Ser Was HD 1/4-20 x 3/4	4	
4	<b>R301504</b>	R32127-24, R32146-17, R3296-16, R3296-42, R915661P, RM40333	Locknut - ESNA 1/4-20	12	
6	<b>R237-65</b>		O-Ring	8	
7	<b>R237-42</b>	R31-4160, R339897	O-Ring	2	
8	<b>R59-7410</b>		Tip-Nipple	2	
9	<b>R354-79</b>		Cap-Dust	2	
10	<b>R237-80</b>	R327-80	O-Ring	4	
11	<b>R340-17</b>		No 10 Male Orfs x No 10 Male Orb	4	
12	<b>R110-0951</b>		Shiel D- Wheel - Rear LH	1	

All original equipment manufacturers names and part numbers are used for identification purposes only, and we are in no way implying that our products are original equipment parts. Prices subject to change without notice.



# Replaces R&R Products Reel Max 744LP

## Parts

Traction Unit  
Front Wheel



Item No	R&R Part No.	OEM Part No.	Description	Qty Req	Order Quantity
13	<b>RF5003</b>	3296-23, R32127-29, R32131-5, R32132-5, R3296-23, R64229-05, RZS04021-07	Locknut - ESNA 1/2-13	8	
14	<b>R106-3874</b>		Hydraulic Motor - Wheel LH	1	
15	<b>R110-0950</b>		Shield - Brake - Front	2	
16	<b>R453009</b>	3256-3, R01-166-0400, R24-10-BD, R24-9-AD, R24H1136, R32-9650, R3256-2, R3256-23, R3256-67, R3290-217, R3556-3, R4-2390, R452006, R7-0152	Washer - Flat 5/16 SAE	8	
17	<b>R321-4</b>	400108, R01-150-1030, R01-178-0406, R20-3-AGD, R3222-1, R400108	Bolt - Hex HD 1/4-20 x 3/4	8	
18	<b>R110-8878</b>		Shield-Wheel - Rear RH	1	
19	<b>R106-3875</b>		Hydraulic Motor - Wheel RH	1	
20	<b>R110-8872</b>		Brake Assy - LH	1	
21	<b>R110-5343-03</b>		Bracket-Brake	2	
22	<b>R325-11</b>	R01-150-0330, R20-92-AGD	Bolt - Hex HD 1/2-13 x 2-3/4	8	

All original equipment manufacturers names and part numbers are used for identification purposes only, and we are in no way implying that our products are original equipment parts. Prices subject to change without notice.



# Replaces R&R Products Reel Max 744LP

## Parts

Traction Unit  
Front Wheel



Item No	R&R Part No.	OEM Part No.	Description	Qty Req	Order Quantity
23	R322-7	R01-150-0750, R01-150-0760, R01-178-0512, R20-28-AD, R20-28-AGD, R3223-4	Bolt - Hex HD 5/16-18 x 1-1/2	2	
24	R117-0203-03		Bracket- Brake Spring	2	
25	R10-6830		Stud - 1/2-20 x 1 3/4	10	
26	R110-9046	R106-3605	Hub - Wheel	2	
27	R150878		Drum - Brake - Reel Max	2	
28	R232-27	R232-31, R360111	Stem - Valve w/ Cap	2	
29	R242-50		Nut - 1/2-20 Wheel	10	
30	R108-7632		Tube Assy	1	
31	R108-7633		Tube Assy	1	
32	R26-3790		Nut - Hex - Wheel Motor 1-20	2	
33	R323-6	323-6, R01-150-0010, R01-178-0608, R20-47-AD, R20-47-AGD, R3224-2, R49-3510, R908034P, R908332	Bolt - Hex HD 3/8-16 x 1 GR5 YZ	8	
34	R104-8300	R119-4041	Locknut - 5/16-18 Flanged Y/Zinc	2	
35	RP457-2	R01-191-0518, R22-12-AJK, R3218-2, R513299, RP3015-2	Nut - Jam 5/16-18 Zinc	2	
36	R87-4020		Spring - Extension	2	

All original equipment manufacturers names and part numbers are used for identification purposes only, and we are in no way implying that our products are original equipment parts. Prices subject to change without notice.



# Replaces R&R Products Reel Max 744LP

## Parts

*Traction Unit  
Front Wheel*



Item No	R&R Part No.	OEM Part No.	Description	Qty Req	Order Quantity
37	<b>R283-62</b>		Pin - Clevis 5/16 x 3/4	2	
38	<b>R3296-39</b>	3296-39, R32127-25, R32128-36, R3296-17, R3296-22, R915663P, R99-7443	Locknut - 3/8-16 Nylon	8	
39	<b>R3257-42</b>		Key - Woodruff 5/16 x 1	2	
40	<b>R110-8871</b>		Brake Assy - RH	1	

All original equipment manufacturers names and part numbers are used for identification purposes only, and we are in no way implying that our products are original equipment parts. Prices subject to change without notice.