

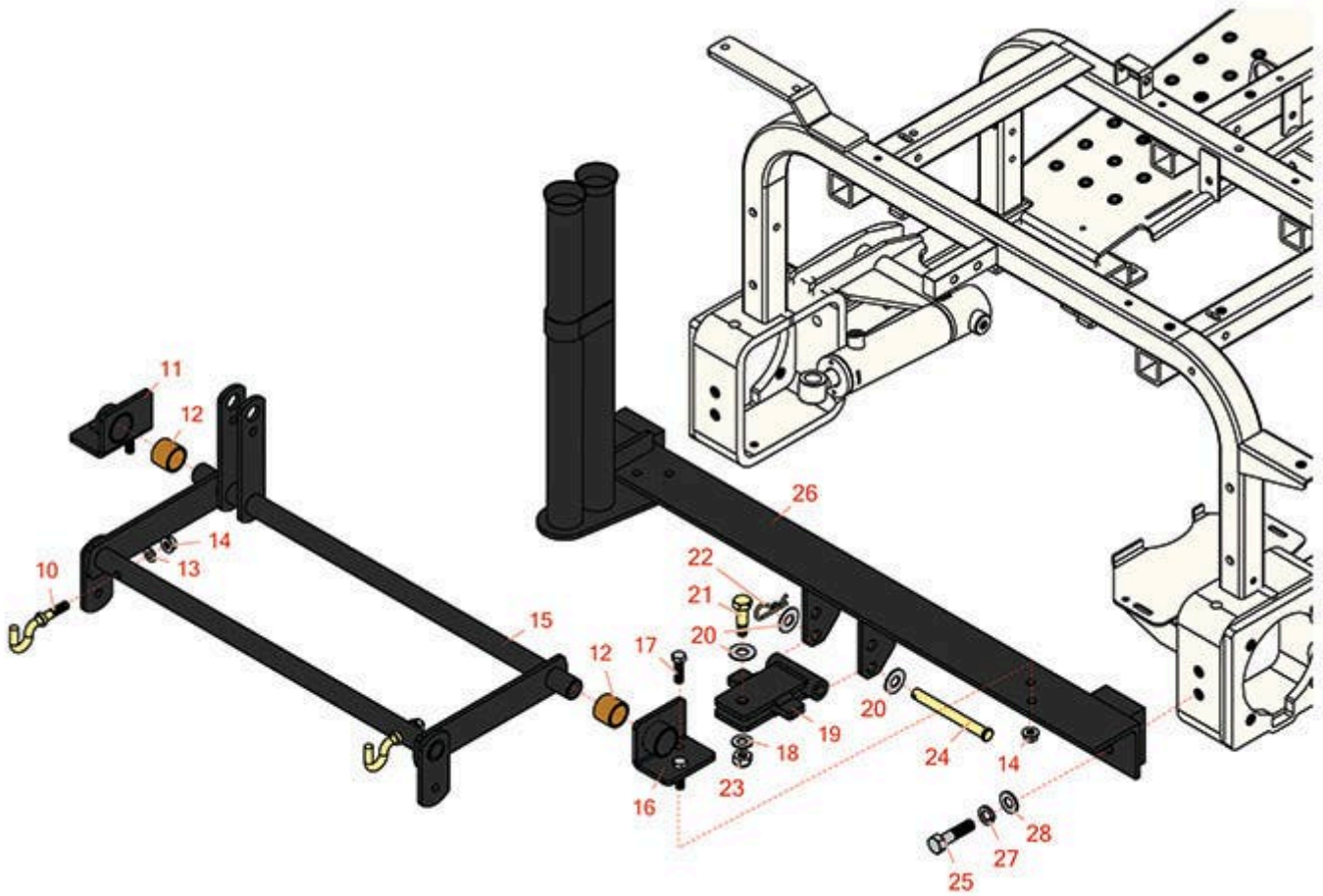


Replaces R&R Products Sand Max 416

Parts

Traction Unit

Rear Hitch - Standard



All original equipment manufacturers names and part numbers are used for identification purposes only, and we are in no way implying that our products are original equipment parts. Prices subject to change without notice.



Replaces R&R Products Sand Max 416

Parts

Traction Unit

Rear Hitch - Standard



Item No	R&R Part No.	OEM Part No.	Description	Qty Req	Order Quantity
10	R80-2040	R84-2630	Hook	2	
11	R150768		Pivot Bkt w/Bushing - LH	1	
12	R256-234		Bushing - 1 x 1-1/4 x 1	2	
13	R453009	3256-3, R01-166-0400, R24-10-BD, R24-9-AD, R24H1136, R32-9650, R3256-2, R3256-23, R3256-67, R3290-217, R3556-3, R4-2390, R452006, R7-0152	Washer - Flat 5/16 SAE	2	
14	R3296-39	3296-39, R32127-25, R32128-36, R3296-17, R3296-22, R915663P, R99-7443	Locknut - 3/8-16 Nylon	6	
15	R150766		Lift Arm Assy	1	
16	R150769		Pivot Bkt w/Bushing - RH	1	
17	R400264	323-7, R01-150-0180, R01-178-0610, R19H1732, R20-48-AD, R20-48-AGD, R32-9160, R3224-3, R323-29, R323-7, R400264, R908035P	Bolt - Hex HD 3/8-16 x 1-1/4	4	

All original equipment manufacturers names and part numbers are used for identification purposes only, and we are in no way implying that our products are original equipment parts. Prices subject to change without notice.



Replaces R&R Products Sand Max 416

Parts

Traction Unit

Rear Hitch - Standard



Item No	R&R Part No.	OEM Part No.	Description	Qty Req	Order Quantity
18	R187-0	3256-25, R3256-25, R7-0032	Washer - Flat 7/16 SAE	1	
19	R84-2230-03	84-2230, 84-2230-03, R84-2230	Pivot Assy	1	
20	R453017	3256-26, R01-166-0050, R01-166-0240, R01-166-0800, R24-13-AD, R24-14-AD, R32-8110, R3256-6, R452012, R69-8980	Washer - Flat 1/2	3	
21	R80-2050	80-2050	Bolt - Shoulder	1	
22	R3272-12	3272-12, R01-151-0090, R28-19-D	Pin - Cotter 1/8 x 1-1/4	1	
23	R3296-48	3296-48, R119-4039, R32146-7, R3296-34	Locknut - 7/16-14 ESNA	1	
24	R283-83	283-83, R42194, R93-5343	Pin - Clevis	1	
25	R325-8	R01-150-0590, R01-178-0816, R20-89-AGD, R3226-4	Bolt	4	
26	R150767		Angle Assy	1	

All original equipment manufacturers names and part numbers are used for identification purposes only, and we are in no way implying that our products are original equipment parts. Prices subject to change without notice.



Replaces R&R Products Sand Max 416 Parts

*Traction Unit
Rear Hitch - Standard*



Item No	R&R Part No.	OEM Part No.	Description	Qty Req	Order Quantity
27	R3253-7	R01-166-0030, R01-166-0080, R01-166-0290, R01-166-0810, R23-13-GD, R48-9380	Washer - Lock 1/2	4	
28	R3256-26	3256-26, R01-166-0540, R01-166-0820, R17-2530, R24-13-BD, R30-8570, R356206, R48-9390	Washer - 1/2 in	4	

All original equipment manufacturers names and part numbers are used for identification purposes only, and we are in no way implying that our products are original equipment parts. Prices subject to change without notice.