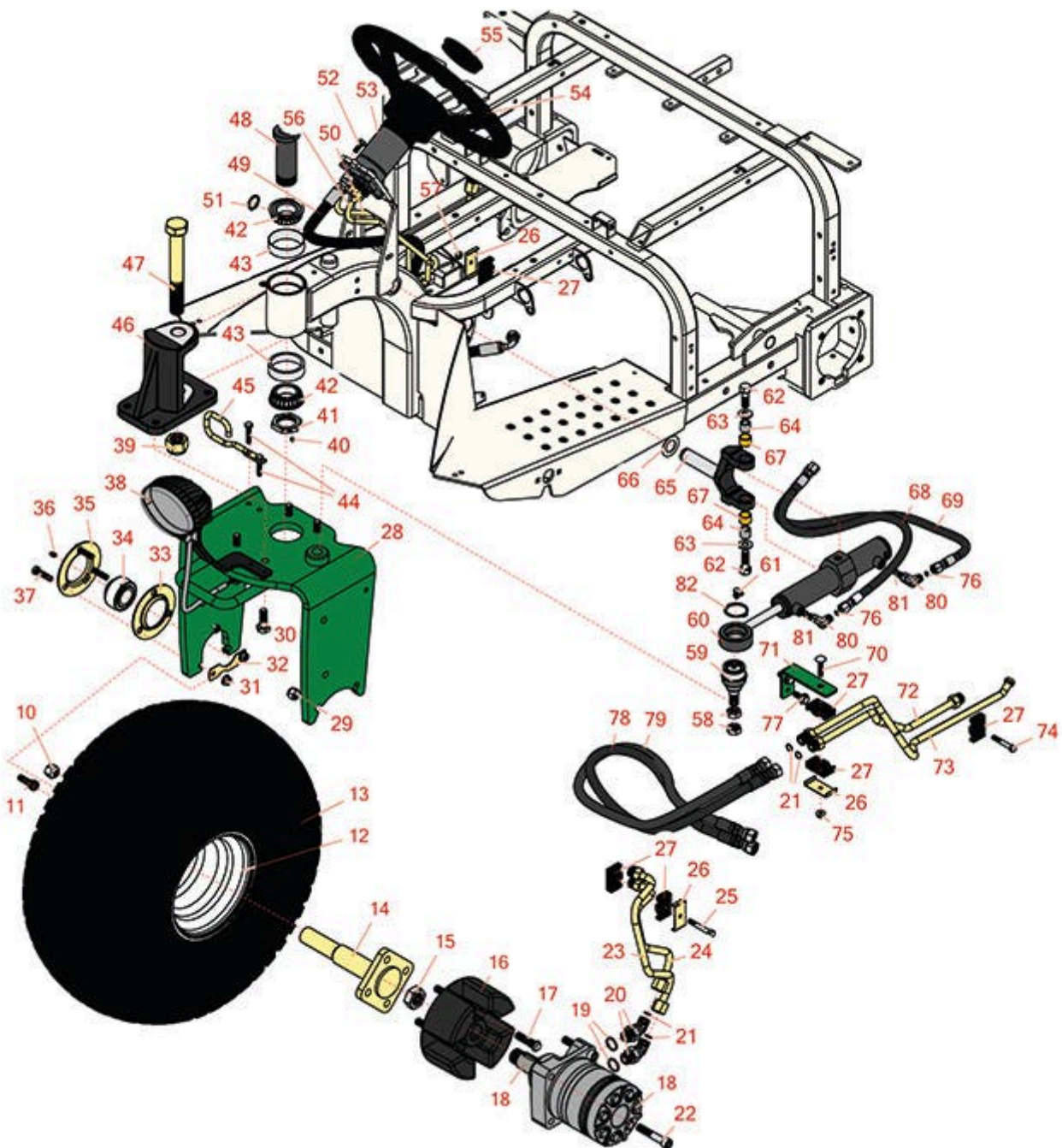




Replaces R&R Products Sand Max 521LP

Parts

Traction Unit
Front Wheel & Steering



All original equipment manufacturers names and part numbers are used for identification purposes only, and we are in no way implying that our products are original equipment parts. Prices subject to change without notice.



Replaces R&R Products Sand Max 521LP

Parts

Traction Unit

Front Wheel & Steering



Item No	R&R Part No.	OEM Part No.	Description	Qty Req	Order Quantity
10	R242-50		Nut - 1/2-20 Wheel	4	
11	R232-24	R232-35, R341680, R363233, R814687	Stem - Valve w/ Cap	1	
12	R94-6116	R114-4643, R242-53, R242-86, R46-4810	Rim - 8x8.5 White	1	
13	RCT537050	R546547	Tire - 22x11.00-8 Nhs (2 Ply) Carlisle Knobby	1	
<i>Detail Description: Elevate your off-road adventures with the Carlisle Knobby tire. This tire offers a unique design with options available in both solid and dimple tread patterns. Whether you're tackling rugged trails or navigating through challenging terrain, the Carlisle Knobby tire delivers maximum performance and traction. It is specially designed for ATVs and golf carts, providing the reliability and durability you need for your outdoor adventures. Upgrade your ATV or golf cart with the Carlisle Knobby tire and experience the difference it makes in your outdoor excursions. Maximize your traction, durability, and versatility. Buy the Carlisle Knobby tire today and unleash the full potential of your off-road adventures.:</i>					
14	R110-6314		Spindle	1	
15	R26-3790		Nut - Hex - Wheel Motor 1-20	1	
16	R110-6310		Front Wheel Hub Assy	1	
17	R85-6540		Stud - Drive 1/2-20 x 2	4	
18	R108-2948		Hydraulic Motor - Wheel	1	
19	R237-80	R327-80	O-Ring	2	
20	R340-89		Hydraulic Fitting - 45 Deg	2	
21	R237-30	R23-6320	O-Ring - Seal	6	
22	R3274-93		Bolt - Soc HD Cap	4	
23	R108-8432	R108-8432-01	Tube Assy	1	

All original equipment manufacturers names and part numbers are used for identification purposes only, and we are in no way implying that our products are original equipment parts. Prices subject to change without notice.



Replaces R&R Products Sand Max 521LP

Parts

Traction Unit

Front Wheel & Steering



Item No	R&R Part No.	OEM Part No.	Description	Qty Req	Order Quantity
24	R108-8431		Tube Assy	1	
25	R322-12	322-12, R01-150-0730, R01-178-0520	Bolt - 5/16-18 x 2 1/2 Hx HD	1	
26	R69-9760		Cover Plate - Hyd Line Clamp	3	
27	R56-7976		Clamp - Tube	6	
28	R108-0573G		Castor Fork Assy - Green	1	
29	RF5003	3296-23, R32127-29, R32131-5, R32132-5, R3296-23, R64229-05, RZS04021-07	Locknut - ESNA 1/2-13	2	
30	R400408	325-6, R01-150-0090, R01-178-0812, R20-87-AD, R20-87-AGD, R20-87-AGF, R3226-2, R325-6, R513376, R513378	Bolt - Hex HD 1/2-13 x 1-1/2	4	
31	R104-8301	R109-6658, R133-7570	Locknut - 3/8-16 Nylon Flanged	3	
32	R88-8350		Tab-Bearing	1	
33	R85-8950		Flange - Ball Bearing	1	
34	R251-352		Bearing	1	
35	R85-8940		Flange - w/Zerk	1	

All original equipment manufacturers names and part numbers are used for identification purposes only, and we are in no way implying that our products are original equipment parts. Prices subject to change without notice.



Replaces R&R Products Sand Max 521LP

Parts

Traction Unit

Front Wheel & Steering



Item No	R&R Part No.	OEM Part No.	Description	Qty Req	Order Quantity
36	R302-5	R173-0, R21-6010, R255825, R302-37, R302-47, R302-57, R302-58, R302-6, R31-0300, R32-9660, R471214, R471223, R471226, R60-0800, R62-3880, R92-4181, RJD7797, RJD7842, RJD7844, RM0004, RZS48114-04	Fitting - Grease	1	
37	R400264	323-7, R01-150-0180, R01-178-0610, R19H1732, R20-48-AD, R20-48-AGD, R32-9160, R3224-3, R323-29, R323-7, R400264, R908035P	Bolt - Hex HD 3/8-16 x 1-1/4	3	
38	R151712	R108-6471, R112-9177, R94-9024	LED Oval Work Light - 12 LED 30w	1	
39	R104-2024		Nut-Lock	1	
40	R3245-1	R244-19, R32104-67	Screw - Set 1/4-20 x 1/4	1	
41	R108-8471		Nut-Steering	1	

All original equipment manufacturers names and part numbers are used for identification purposes only, and we are in no way implying that our products are original equipment parts. Prices subject to change without notice.



Replaces R&R Products Sand Max 521LP

Parts

Traction Unit

Front Wheel & Steering



Item No	R&R Part No.	OEM Part No.	Description	Qty Req	Order Quantity
42	R107-7589		Tapered Bearing Cone - w/Seal	3	
43	R107-7590		Tapered Bearing Cup	2	
44	R322-7	R01-150-0750, R01-150-0760, R01-178-0512, R20-28-AD, R20-28-AGD, R3223-4	Bolt - Hex HD 5/16-18 x 1-1/2	2	
45	R108-8435		Guide-Hose	1	
46	R108-5431		Pivot-Steering	1	
47	R3216-16		Bolt - Hex HD	1	
48	R108-8470		Sleeve-Steering	1	
49	R93-5385		Hydraulic Hose Assy	1	
50	R108-8414		Tube Assy	1	
51	R458039	R32151-36	Ring - Retaining	1	
52	R66-3160	R33114-020, R43-0110, R48-7710	Bolt - Flanged Hex HD	4	
53	R108-2924		Valve - Steering	1	
54	R150946		Wheel - Steering 14 in	1	
55	R150267		Cap - Steering Wheel	1	
56	R108-8415		Tube Assy	1	
57	R3296-29	3296-29, R1-804256, R915662P	Locknut - 5/16-18 ESNA	1	
58	R150926		Nut - Hex Jam M16-1.5	2	

All original equipment manufacturers names and part numbers are used for identification purposes only, and we are in no way implying that our products are original equipment parts. Prices subject to change without notice.



Replaces R&R Products Sand Max 521LP

Parts

*Traction Unit
Front Wheel & Steering*



Item No	R&R Part No.	OEM Part No.	Description	Qty Req	Order Quantity
59	R106-6774	R92-5838, R92-5838-01	Ball Joint	1	
60	R107-4458	R110-9035	Hydraulic Cylinder	1	
61	R302-40	R302-13	Fitting - Grease	1	
62	R94-7976	R3213-2	Bolt - 1/2-20 x 1 1/4 Hx HD	2	
63	R3256-26	3256-26, R01-166-0540, R01-166-0820, R17-2530, R24-13-BD, R30-8570, R356206, R48-9390	Washer - 1/2 in	2	
64	R108-8483		Spacer-Plain	2	
65	R108-8481		Yoke and Bushing Assy	1	
66	R3256-42		Washer-Flat	1	
67	R108-8482		Bushing - Sleeve 3/4 x 7/8 x 5/8	2	
68	R108-6508		Hydraulic Hose Assy	1	
69	R105-4347		Hydraulic Hose Assy	1	
70	R3230-6		Bolt - Carraige	1	
71	R108-8455-01		Bracket-Clamp	1	
72	R108-8411		Tube Assy	1	
73	R108-8409		Tube Assy	1	
74	R322-10	R20-30-AD, R24-7180, R3223-6, R513347	Bolt - Hex HD 5/16-18 x 2	1	
75	R104-8300	R119-4041	Locknut - 5/16-18 Flanged Y/Zinc	3	

All original equipment manufacturers names and part numbers are used for identification purposes only, and we are in no way implying that our products are original equipment parts. Prices subject to change without notice.



Replaces R&R Products Sand Max 521LP Parts

*Traction Unit
Front Wheel & Steering*



Item No	R&R Part No.	OEM Part No.	Description	Qty Req	Order Quantity
76	R237-21		O-Ring	2	
77	R32144-14	R32104-32, R32104-49	Bolt - Hex Washer 5/16-18 x 5/8	2	
78	R110-6303		Hydraulic Hose Assy	1	
79	R108-8433		Hydraulic Hose Assy	1	
80	R340-132		Hydraulic Fitting - 90 Deg	2	
81	R237-22	R107-8844, R232-72, R237-78	O-Ring	2	
82	R32151-104		Ring - Retaining, Ex	1	

All original equipment manufacturers names and part numbers are used for identification purposes only, and we are in no way implying that our products are original equipment parts. Prices subject to change without notice.