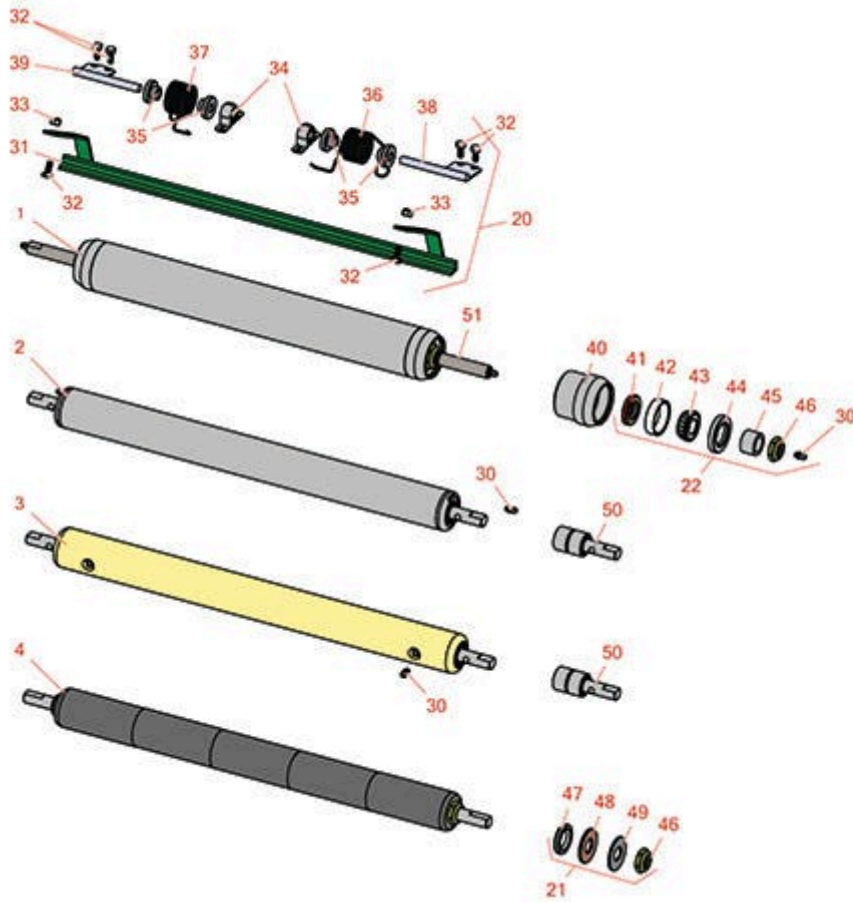




Replaces R&R Products Versa-Green 1860PS Parts Rear Rollers



All original equipment manufacturers names and part numbers are used for identification purposes only, and we are in no way implying that our products are original equipment parts. Prices subject to change without notice.



Replaces R&R Products Versa-Green 1860PS Parts Rear Rollers



Item No	R&R Part No.	OEM Part No.	Description	Qty Req	Order Quantity
---------	--------------	--------------	-------------	---------	----------------

R&R Rear Rollers

1	R150692		Roller - Smooth Heavy Duty Tubular Steel	0	
---	----------------	--	--	---	--

Tech Note: Constructed with a through shaft, this heavy duty roller uses tapered bearings for extended life.:

2	R21-8450		Roller - Smooth Tubular Steel	0	
---	-----------------	--	-------------------------------	---	--

Tech Note: Constructed with greasable "water-pump" style bearings. :

3	R150300		Roller - Smooth Solid Steel	0	
---	----------------	--	-----------------------------	---	--

Tech Note: Machined from solid steel, this heavy weight roller uses greasable "water-pump" style bearings.:

4	R150341		Roller - Smooth UHMW Polyethylene	0	
---	----------------	--	-----------------------------------	---	--

Tech Note: Machined from solid UHMW, this low maintenance roller uses a 1" solid stainless steel shaft and requires no grease. UHMW material prevents build-up of debris.:

Overhaul Kits

20	R42-4820G		Scraper Kit - Rear Roller	1	
----	------------------	--	---------------------------	---	--

21	R101395		Overhaul Kit - UHMW Roller	0	
----	----------------	--	----------------------------	---	--

Tech Note: Fits all R&R 2" Dia. Black UHMW Polyethylene Rollers. Includes 10 ea.: R150322 Roll Pins; 2 ea.: R3296-15 Locknuts, R150347T Teflon Seals, R150333 Thrust Washers, & R150334A Bronze Thrust Washers:

22	R100136		Overhaul Kit - Roller	0	
----	----------------	--	-----------------------	---	--

Tech Note: Includes 2 ea.: R150674 Wear Sleeves, R253-152 Seals, R253-117 Seals, R254-78 Bearings, R254-79 Bearing Cups, R3296-15 Locknuts & R302-5 Grease Fittings:

Other Parts Available

All original equipment manufacturers names and part numbers are used for identification purposes only, and we are in no way implying that our products are original equipment parts. Prices subject to change without notice.



Replaces R&R Products Versa-Green 1860PS Parts

Rear Rollers



Item No	R&R Part No.	OEM Part No.	Description	Qty Req	Order Quantity
30	R302-5	R173-0, R21-6010, R255825, R302-37, R302-47, R302-57, R302-58, R302-6, R31-0300, R32-9660, R471214, R471223, R471226, R60-0800, R62-3880, R92-4181, RJD7797, RJD7842, RJD7844, RM0004	Fitting - Grease	6	
31	R42-4800G		Bar - Scraper Rear Roller-Green	1	
32	R400106	R321-3, R513315, R908002P	Bolt - Hex HD 1/4-20 x 5/8	8	
33	R32152-4	444708, R444708	Locknut - 1/4-20 All Metal	4	
34	R256-239		Bearing	2	
35	R19-9560		Spacer - Spring	4	
36	R19-9540		Spring - Torsion LH	1	
37	R19-9550		Spring - Torsion RH	1	
38	R42-4780		Mount - Scraper LH	1	
39	R42-4790		Mount - RH Scraper	1	
40	R61-0380		Roller End - Cap Solid	2	

All original equipment manufacturers names and part numbers are used for identification purposes only, and we are in no way implying that our products are original equipment parts. Prices subject to change without notice.



Replaces R&R Products Versa-Green 1860PS Parts

Rear Rollers



Item No	R&R Part No.	OEM Part No.	Description	Qty Req	Order Quantity
41	R253-152	R253-116, R3001656	Seal - Inner Roller	2	
42	R254-79	R01-103-0060, R01-103-0130, R1-633584, R252-106, R255820, R32-7800, R32-9590, R4121175, R70030-50301, R808088, RB4015, RG-372, RJD8226	Cup - Bearing	2	
<i>Tech Note: Use R254-79M installation mandrel to properly install race.:</i>					
43	R254-78	R01-102-0060, R01-102-0130, R255815, R32-7790, R32-9580, R385174, R4121174, R4135152, R70030-50302, R93-4813, RB4512, RG-373, RJD8188	Tapered Bearing Cone	2	
44	R253-117	R253-165, R255805, R3004882	Seal - Outer Triple Lip	2	
45	R150674		Sleeve - Wear 3/4 Plated	2	

All original equipment manufacturers names and part numbers are used for identification purposes only, and we are in no way implying that our products are original equipment parts. Prices subject to change without notice.



Replaces R&R Products Versa-Green 1860PS Parts

Rear Rollers



Item No	R&R Part No.	OEM Part No.	Description	Qty Req	Order Quantity
46	R3296-15	367029, R1503473, R32118-5, R32127-23, R32127-47, R367029, R445748, RG-371, RN101345	Locknut - 3/4-16 Nylon Jam	2	
47	R150347T	R150347	Seal - Nonstick Lip	2	
48	R150334A		Washer - Thrust SAE660 Bronze	2	
49	R150333	R150447	Washer - Flat Keyed Outer SS	2	
50	R21-8430	R150301	Bearing - Roller	2	
51	R150693		Shaft - HD Rear Roller	1	

All original equipment manufacturers names and part numbers are used for identification purposes only, and we are in no way implying that our products are original equipment parts. Prices subject to change without notice.