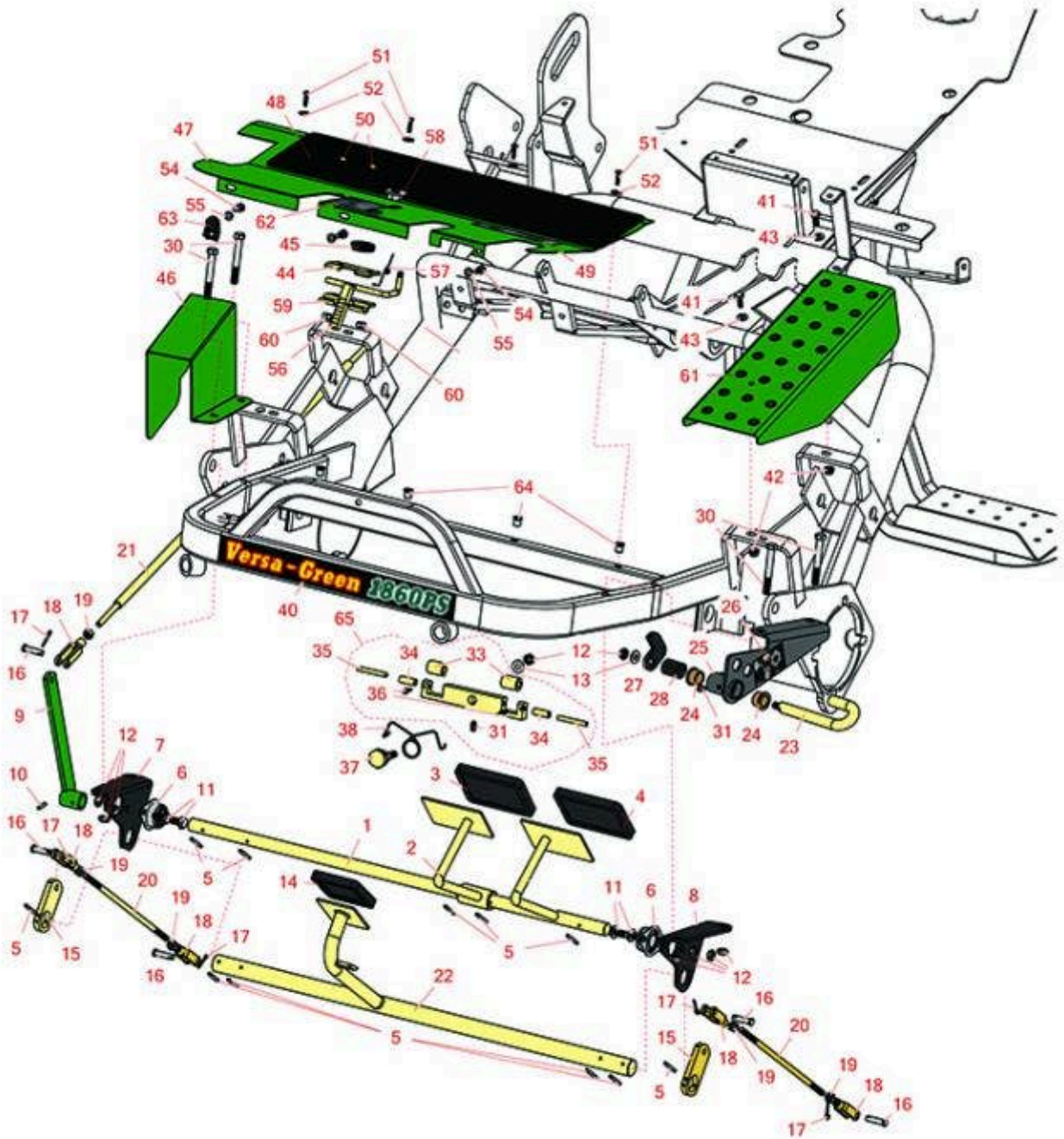




Replaces R&R Products Versa-Green 1860PS Parts Control Pedal



All original equipment manufacturers names and part numbers are used for identification purposes only, and we are in no way implying that our products are original equipment parts. Prices subject to change without notice.



Replaces R&R Products Versa-Green 1860PS Parts

Control Pedal



Item No	R&R Part No.	OEM Part No.	Description	Qty Req	Order Quantity
1	R150289		Shaft - Cutting Control Assy	1	
2	R106-6394	R83-0140	Mow Pedal Assy	1	
3	R93-7630		Rubber Foot Pad - Mow	1	
4	R93-7631		Rubber Foot Pad - Lift	1	
5	R32121-35		Pin - Spring Roll 5/32 x 1-1/2	8	
6	R27-2320		Bearing	2	
7	R88-9630G		Bracket - Black	1	
8	R88-9640G		Bracket - Black	1	
9	R49-6200		Cutting Lever - Green	1	
10	R32121-6		Pin - Roll 3/16 x 1-1/4	1	
11	R3234-1		Bolt - Flanged Serrated Hex HD 3/8-16 x 3/4	4	
12	R3296-59		Locknut - 3/8-16 Nylon Jam	8	

All original equipment manufacturers names and part numbers are used for identification purposes only, and we are in no way implying that our products are original equipment parts. Prices subject to change without notice.



Replaces R&R Products Versa-Green 1860PS Parts Control Pedal



Item No	R&R Part No.	OEM Part No.	Description	Qty Req	Order Quantity
13	R453011	3256-24, 453011, R01-166-0100, R01-166-0120, R01-166-0270, R01-166-0500, R01-166-0600, R01-166-0620, R132-4593, R237-12, R24-10-AD, R24-11-AD, R24-11-BD, R24-12-AD, R24-12-BD, R30-9310, R32-8190, R3256-24, R3256-3, R3256-36, R3256-4, R47-9950	Washer - Flat 3/8 SAE Y/Zinc	1	
14	R93-7629	R27-7570, R27-7580, R49-6170, R93-8743	Rubber Foot Pad - Brake	1	
15	R10-8100-01	R10-8100, R112-9180	Strap - Shaft	2	
16	R283-61	R86-2140	Pin - Clevis 5/16 x 1-1/8	5	
17	R11M7012		Pin - Cotter 1/8 x 5/8	5	
18	R282-2	R1-303105	Yoke	5	
19	R3220-2	R01-191-0524	Nut - Jam - 5/16-24	5	
20	R27-2270		Rod - Adjustment	2	
21	R49-5430		Control Rod - Cutting Lever	1	
22	R83-0160		Shaft - Brake Assy	1	

All original equipment manufacturers names and part numbers are used for identification purposes only, and we are in no way implying that our products are original equipment parts. Prices subject to change without notice.



Replaces R&R Products Versa-Green 1860PS Parts *Control Pedal*



Item No	R&R Part No.	OEM Part No.	Description	Qty Req	Order Quantity
23	R93-9903		Pin - Mow Lockout	1	
24	R3-1506	R256-287, R3709088, R4-4550, R75-2160, R9329	Bushing - Bronze	2	
25	R93-9901G		Lockout Bracket - Black	1	
26	R93-9898		Decal - Lock	1	
27	R93-9904		Mow Arm - Lockout	1	
28	R76-0410		Spring - Compression - Lockout Pin	1	
30	R323-13	R01-150-1020, R01-178-0622, R20-54-AD, R20-54-AGD, R513366	Bolt - Hex HD 3/8-16 x 2-3/4 GR5	4	
31	R302-5	R173-0, R21-6010, R255825, R302-37, R302-47, R302-57, R302-58, R302-6, R31-0300, R32-9660, R471214, R471223, R471226, R60-0800, R62-3880, R92-4181, RJD7797, RJD7842, RJD7844, RM0004	Fitting - Grease	2	
33	R150274		Roller Assy - Lift Pivot	2	
34	R150275		Bushing - Bronze	2	

All original equipment manufacturers names and part numbers are used for identification purposes only, and we are in no way implying that our products are original equipment parts. Prices subject to change without notice.



Replaces R&R Products Versa-Green 1860PS Parts *Control Pedal*



Item No	R&R Part No.	OEM Part No.	Description	Qty Req	Order Quantity
35	R150276		Pin - Dowell - Removable	2	
36	R150425		Bolt - Hex HD 8-32 x 5/8	2	
37	R83-2590		Bolt - Shoulder Eccentric	1	
38	R83-0080		Spring - Pivot - Lift	1	
40	R150597		Decal - R&R Versa-Green 1860PS	1	
41	R321-4	400108, R01-150-1030, R01-178-0406, R20-3-AGD, R3222-1, R400108	Bolt - Hex HD 1/4-20 x 3/4	2	
42	R32128-33		Nut - 1/4-20 Flanged Serr	2	
43	R3256-22	R09061, R24-9-BD, R3-1032, R93-0954, R93-0989	Washer - Flat 1/4 Yellow	2	
44	R10-7880		Hinge - Upper	1	
45	R150284		Rubber Grommet	1	
46	R49-6110G		Rod Guard - Green	1	
47	R83-0640G		Footrest Plate - Green	1	
48	R49-6120	R10-8210	Pad - Anti-Skid Foot Rest	1	
49	R93-8075		Decal - Mow/Lift	1	
50	R3229-11	R3229-22, R518304	Bolt - Carriage 1/4-20 x 5/8	2	
51	R3274-31	R3274-68, R46-8560	Screw - Button HD Soc CS 1/4-20 x 5/8	4	

All original equipment manufacturers names and part numbers are used for identification purposes only, and we are in no way implying that our products are original equipment parts. Prices subject to change without notice.



Replaces R&R Products Versa-Green 1860PS Parts *Control Pedal*



Item No	R&R Part No.	OEM Part No.	Description	Qty Req	Order Quantity
52	R453023	R3256-1, R3256-72	Washer - Flat 1/4	4	
54	R400106	R321-3, R513315, R908002P	Bolt - Hex HD 1/4-20 x 5/8	3	
55	R3253-3	446130, R01-166-0070, R01-166-0410, R23-9-GD, R24-7150, R352-167, R446128, R446130	Washer - Lock 1/4	3	
56	R10-7850		Parking Latch - Brake	1	
57	R10-8140	R10-8410	Spring - Torsion - Brake Latch	1	
58	R32141-111		Nut - Special HF Flanged	1	
59	R10-7890		Hinge - Lower	1	
60	R301504	R32127-24, R32146-17, R3296-16, R3296-42, R915661P, RM40333	Locknut - ESNA 1/4-20	2	
61	R83-0200G		Cover Plate - LH - Green	1	
62	R93-8062		Decal - Parking Brake	1	
63	R150277		Mount - Wiring Harness - Heavy Duty	1	
64	R95-5981TS		Thread-Sert 1/4-20	7	
65	R150273	R83-0060	Lift - Pivot Assy	1	

All original equipment manufacturers names and part numbers are used for identification purposes only, and we are in no way implying that our products are original equipment parts. Prices subject to change without notice.