

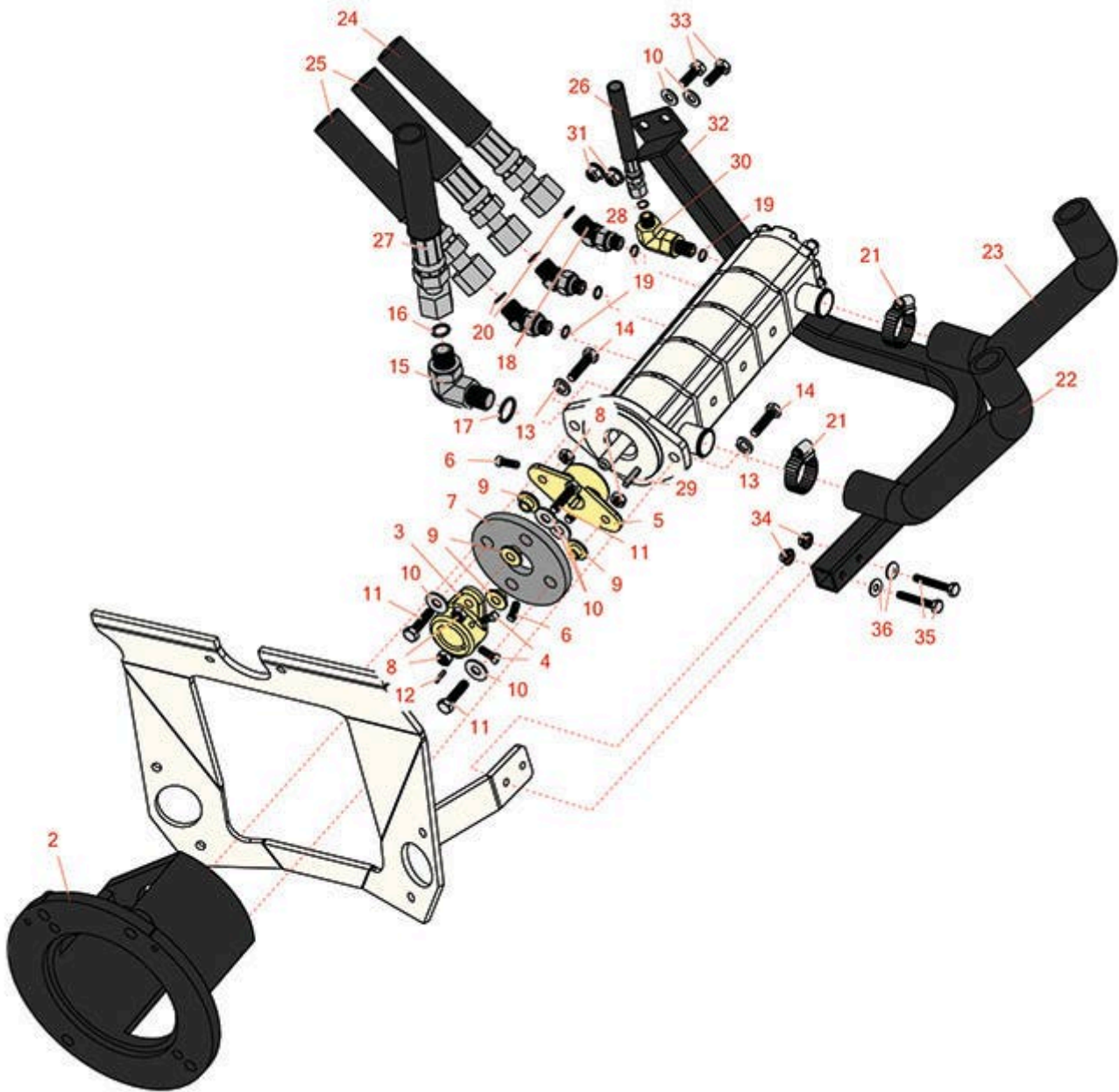
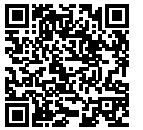


Replaces R&R Products Versa-Green

1860PS Parts

Traction Unit

Hydraulic Gear Pump



All original equipment manufacturers names and part numbers are used for identification purposes only, and we are in no way implying that our products are original equipment parts. Prices subject to change without notice.



Replaces R&R Products Versa-Green

1860PS Parts

Traction Unit

Hydraulic Gear Pump



Item No	R&R Part No.	OEM Part No.	Description	Qty Req	Order Quantity
2	R83-1060-03	R83-1060	Adapter - Pump	1	
3	R27-1960	R110-5236	Hub - Engine	1	
4	R3241-2	R01-163-0100, R31-6770, R3241-1	Screw - Set Sq.HD. 1/4 x 5/8	2	
5	R27-1970		Hub - Pump	1	
6	R3241-6		Screw - Set Sq. HD. 1/4 x3/4	2	
7	R44-2230	R115-4523, R27-6560, R80-8650	Coupling - Rubber - Pump	1	
8	R3296-29	3296-29, R1-804256, R915662P	Locknut - 5/16-18 ESNA	4	
9	R27-6600		Spacer - Pump Coupling	4	
10	R453009	3256-3, R01-166-0400, R24-10-BD, R24-9-AD, R24H1136, R32-9650, R3256-2, R3256-23, R3256-67, R3290-217, R3556-3, R4-2390, R452006, R7-0152	Washer - Flat 5/16 SAE	4	
10	R310266	3256-3, R09056, R452004	Washer - Flat 5/16 USS	4	

All original equipment manufacturers names and part numbers are used for identification purposes only, and we are in no way implying that our products are original equipment parts. Prices subject to change without notice.



Replaces R&R Products Versa-Green

1860PS Parts

Traction Unit

Hydraulic Gear Pump



Item No	R&R Part No.	OEM Part No.	Description	Qty Req	Order Quantity
11	R400190	R01-150-0720, R01-178-0510, R30-8680, R322-6, R513343	Bolt - Hex HD 5/16-18 x 1-1/4 GR5	4	
12	R1164	R10-7070, R48-004-1931, R62-3380, R66-004-3221, R85-9020, RM-01-D-1164	Key - 1/4 x 1/4 x 1	1	
13	R3253-21	3253-21, R215-51, R30-8470, R7-1912, RMT3949	Washer - Lock 3/8	2	
14	R400264	323-7, R01-150-0180, R01-178-0610, R19H1732, R20-48-AD, R20-48-AGD, R32-9160, R3224-3, R323-29, R323-7, R400264, R908035P	Bolt - Hex HD 3/8-16 x 1-1/4	2	
15	R340-105		Hydraulic Fitting	1	
16	R237-30	R23-6320	O-Ring - Seal	1	
17	R237-80	R327-80	O-Ring	1	
18	R340-87	R340-106	Hydraulic Fitting	3	
19	R237-22	R107-8844, R232-72, R237-78	O-Ring	3	
20	R237-42	R31-4160, R339897	O-Ring	3	

All original equipment manufacturers names and part numbers are used for identification purposes only, and we are in no way implying that our products are original equipment parts. Prices subject to change without notice.



Replaces R&R Products Versa-Green

1860PS Parts

Traction Unit

Hydraulic Gear Pump



Item No	R&R Part No.	OEM Part No.	Description	Qty Req	Order Quantity
21	R2412-34	R31-0120	Clamp - Hose .75-1.5	2	
22	R150595		Hose - Inside Inlet - Pump	1	
23	R83-0910		Hose - Outside Inlet - Pump	1	
24	R150644		Hydraulic Hose Assy - Valve to Pump	1	
25	R150643		Hydraulic Hose Assy - Valve to Pump	2	
26	R150635		Hydraulic Hose Assy - Steering Cylinder	1	
27	R150627		Hydraulic Hose Assy - Drive Motor - RH Upper	1	
28	R237-21		O-Ring	1	
29	R150579		Key - Sq 3/16 x 3/16 x 7/8	1	
30	R340-82		Fitting - 90 Deg	1	
31	R445722	R30-8980, R32128-2, R32128-20	Nut - Serrated Washer	2	
32	R150244		Guard - 5 Stage Pump	1	
33	R322-4	R3290-115, R908018P	Bolt - Hex HD 5/16-18 x 7/8	2	
34	R32128-33		Nut - 1/4-20 Flanged Serr	2	
35	R400118		Bolt - Hex HD 1/4-20 x 1-3/4 GR5	2	
36	R453023	R3256-1, R3256-72	Washer - Flat 1/4	2	

All original equipment manufacturers names and part numbers are used for identification purposes only, and we are in no way implying that our products are original equipment parts. Prices subject to change without notice.