

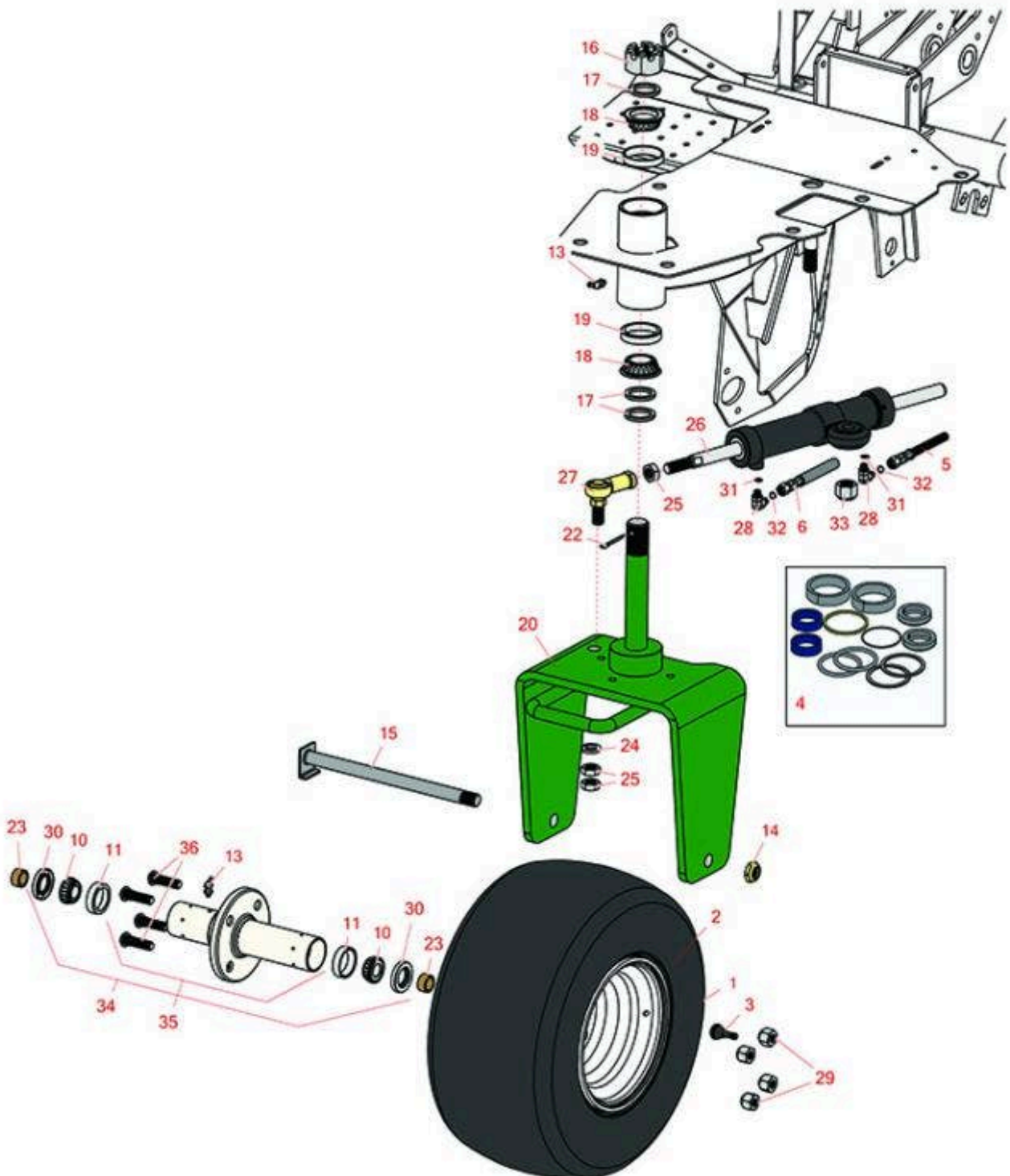


Replaces R&R Products Versa-Green

1860PS Parts

Traction Unit

Rear Wheel



All original equipment manufacturers names and part numbers are used for identification purposes only, and we are in no way implying that our products are original equipment parts. Prices subject to change without notice.



Replaces R&R Products Versa-Green 1860PS Parts

*Traction Unit
Rear Wheel*



Item No	R&R Part No.	OEM Part No.	Description	Qty Req	Order Quantity
---------	--------------	--------------	-------------	---------	----------------

Tires

1	R150314	R150320	Tire w/Wheel - 18x9.50-8 (2 Ply) Carlisle Smooth	1	
2	R700141	R232-37, R232-47, R700131	Tube - 18x6.50/7.50/8.50/9.50-8 TR13	2	
3	R232-27	R232-31, R360111	Stem - Valve w/ Cap	4	

Overhaul Kits

4	R83-2380		Seal Kit - Fits R105-0411 Steering Cyl	1	
---	-----------------	--	--	---	--

Hoses

5	R150635		Hydraulic Hose Assy - Steering Cylinder	1	
6	R150636		Hydraulic Hose Assy - Steering Cylinder	1	

Other Parts Available

10	R254-78	R01-102-0060, R01-102-0130, R255815, R32-7790, R32-9580, R385174, R4121174, R4135152, R70030-50302, R93-4813, RB4512, RG-373, RJD8188	Tapered Bearing Cone	2	
----	----------------	---	----------------------	---	--

All original equipment manufacturers names and part numbers are used for identification purposes only, and we are in no way implying that our products are original equipment parts. Prices subject to change without notice.



Replaces R&R Products Versa-Green 1860PS Parts

Traction Unit
Rear Wheel



Item No	R&R Part No.	OEM Part No.	Description	Qty Req	Order Quantity
11	R254-79	R01-103-0060, R01-103-0130, R1-633584, R252-106, R255820, R32-7800, R32-9590, R4121175, R70030-50301, R808088, RB4015, RG-372, RJD8226	Cup - Bearing	2	
<i>Tech Note: Use R254-79M installation mandrel to properly install race.:</i>					
13	R700414	R302-11, R302-4, R32-8170	Zerk - Grease 1/4-28 45 Deg	3	
14	R3296-15	367029, R1503473, R32118-5, R32127-23, R32127-47, R367029, R445748, RG-371, RN101345	Locknut - 3/4-16 Nylon Jam	1	
15	R5-3934		Bolt - Steering Caster Fork	1	
16	R32136-9		Nut - 1-1/4-12 Slotted	1	
17	R18-6320		Washer - Steering Fork	3	
18	R254-70	R115-9472	Tapered Bearing Cone - w/Seal	2	
19	R254-61	R01-103-0090, R115-9471, R254-69, R32-8140, R92-0611, R93-4850	Cup	2	
20	R95-5952G		Caster Fork - Green	1	

All original equipment manufacturers names and part numbers are used for identification purposes only, and we are in no way implying that our products are original equipment parts. Prices subject to change without notice.



Replaces R&R Products Versa-Green 1860PS Parts

*Traction Unit
Rear Wheel*



Item No	R&R Part No.	OEM Part No.	Description	Qty Req	Order Quantity
22	R3272-37		Pin - Cotter 1/4 x 2-1/2	1	
23	R74-3730	R217-96	Spacer	2	
24	RF104	R01-166-0020, R01-166-1010, R23-15-GD, R30-8480, R3253-8, R48-9400	Washer - Lock 5/8	1	
25	R443828	R01-191-1018, R3220-6, R915089P	Nut - 5/8-18 Hex	3	
26	R150287	R83-2330, R83-2340	Hydraulic Cylinder - Steering	1	
27	R150288		Rod End Assy - Steering Cylinder	0	
28	R340-132		Hydraulic Fitting - 90 Deg	1	
29	R242-50		Nut - 1/2-20 Wheel	1	
30	R253-111	R253-108, RE1029	Seal	2	
31	R237-22	R107-8844, R232-72, R237-78	O-Ring	2	
32	R237-21		O-Ring	2	
33	RF102	R01-188-1210, R01-192-0290, R3217-12	Locknut - 3/4-10 ESNA L/Nut	1	
34	R72-9710		Hub Assy - Rear Tire	1	
35	R75-9440	R217-95	Hub - Rear Wheel - Incl Wheel Studs	1	
36	R10-6830		Stud - Wheel 1/2-20 x 1 3/4	4	

All original equipment manufacturers names and part numbers are used for identification purposes only, and we are in no way implying that our products are original equipment parts. Prices subject to change without notice.