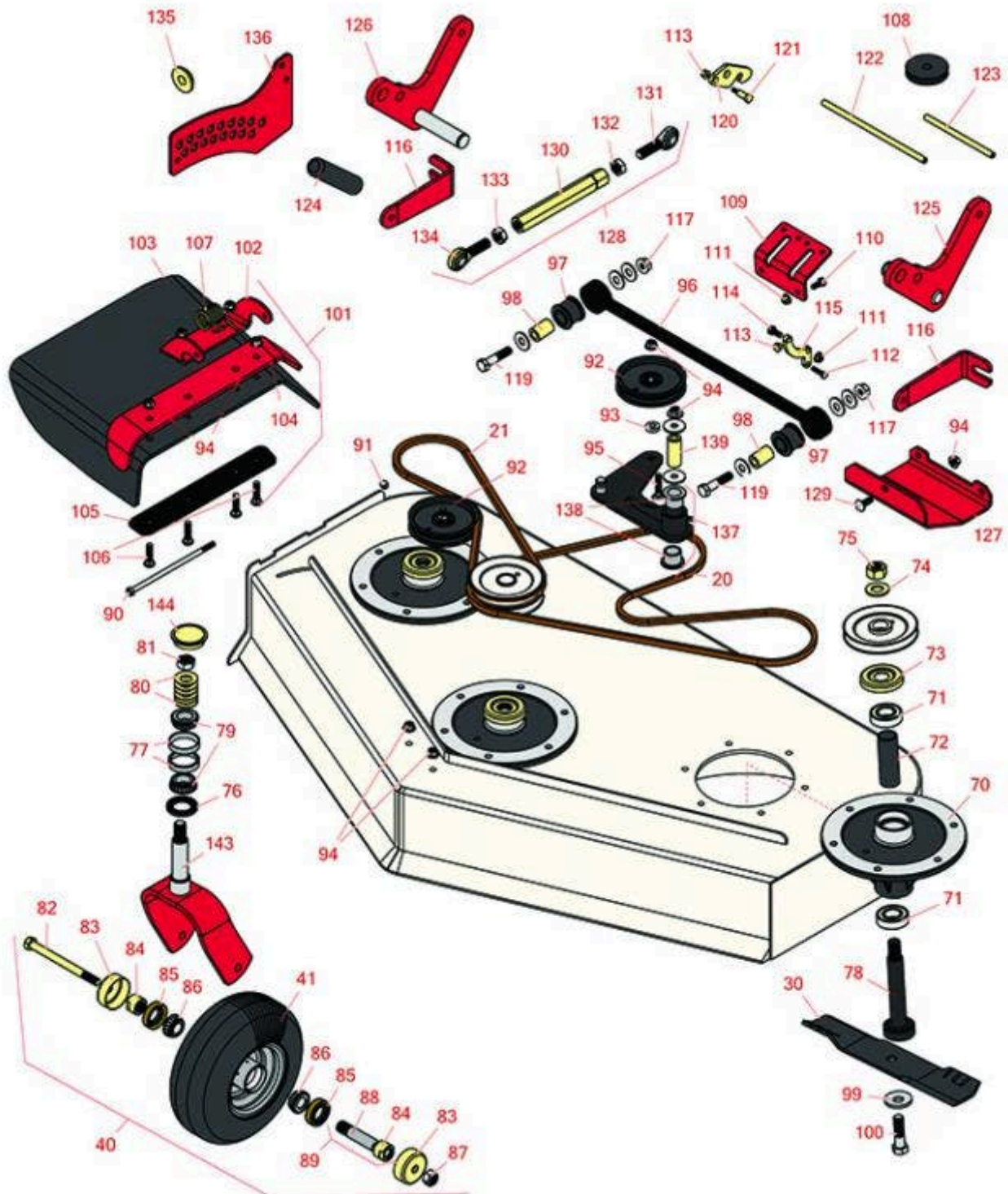




# Replaces Toro GrandStand Mower Parts

Mower with 40in Deck - Model 74536

40in Deck Parts



All original equipment manufacturers names and part numbers are used for identification purposes only, and we are in no way implying that our products are original equipment parts. Prices subject to change without notice.



# Replaces Toro GrandStand Mower Parts

Mower with 40in Deck - Model 74536

40in Deck Parts



Item No	R&R Part No.	OEM Part No.	Description	Qty Req	Order Quantity
<b>Belts</b>					
20	<b>R117-7648</b>	117-7648	Belt- V - Deck	1	
21	<b>R117-7649</b>	117-7649	Belt - V - Deck	1	
<b>Rotary Blade</b>					
30	<b>R108-4081-03</b>	108-4081-03	Mower Blade - 14 x 2-1/2 in High Lift Mulcher	3	
<b>Tires</b>					
40	<b>R130-4558</b>	112-3810, 112-8310, 130-4558	Wheel-Tire and Bearing Assy	2	
41	<b>R130-4563</b>	110-9965, 130-4563	Wheel and Tire Assy	2	
<b>Other Parts Available</b>					
70	<b>R108-6696</b>	108-6696	Housing-Spindle	3	
71	<b>R116-0720</b>	116-0720	Bearing - Ball - Special Triple Seal	6	
72	<b>R110-0727</b>	110-0727	Spacer- Bearing	3	
73	<b>R106-0873</b>	106-0873	Shield - Bearing	3	
74	<b>R7-4150</b>	7-4150	Washer	3	
75	<b>R3219-7</b>	01-158-0600, 01-188-1216, 215-46, 22-18-BJC, 3219-7	Nut- 3/4-16 GR8 Hex	3	
76	<b>R116-5647</b>	116-5647	Seal - Grease	2	

All original equipment manufacturers names and part numbers are used for identification purposes only, and we are in no way implying that our products are original equipment parts. Prices subject to change without notice.



# Replaces Toro GrandStand Mower Parts

Mower with 40in Deck - Model 74536

40in Deck Parts



Item No	R&R Part No.	OEM Part No.	Description	Qty Req	Order Quantity
77	<b>R254-72</b>	01-103-0050, 01-103-0120, 01-103-0140, 1-543508, 254-71, 254-72, 40439, 62-3340, 99-4511	Cup - Bearing	4	
78	<b>R110-0726</b>	110-0726	Shaft - 7 Inch Spindle	3	
79	<b>R254-94</b>	1-543509, 254-94, 32-8090, 32-8240, 32-9640, 40440, 62-3330	Tapered Bearing Cone	4	
80	<b>R1-633508</b>	1-633508	Washer - Spring Disc	6	
81	<b>R3296-51</b>	3296-51, 3296-81	Nut - Nylon Lock 3/4-10 Gr 8	2	
82	<b>R325-20</b>	01-150-1250, 01-178-0848, 325-20	Bolt - Hx HD 1/2-13 x 6	2	
83	<b>R103-2768</b>	103-2768	Guard - Seal	2	
84	<b>R103-3051</b>	103-3051	Spacer - Nut - Hardened	2	
85	<b>R103-0063</b>	103-0063	Seal - Grease	2	
86	<b>R254-78</b>	01-102-0060, 01-102-0130, 1-633585, 254-78, 32-7790, 32-9580, 93-4813	Tapered Bearing Cone	4	

All original equipment manufacturers names and part numbers are used for identification purposes only, and we are in no way implying that our products are original equipment parts. Prices subject to change without notice.



# Replaces Toro GrandStand Mower Parts

Mower with 40in Deck - Model 74536

40in Deck Parts



Item No	R&R Part No.	OEM Part No.	Description	Qty Req	Order Quantity
87	<b>R3296-25</b>	30-3380, 32127-21, 32127-31, 3290-160, 3290-33, 3296-13, 3296-25, 3296-45, 329645	Locknut - 1/2-13 Heavy ESNA	2	
88	<b>R103-3157</b>	103-3157	Axle - Caster Wheel	2	
89	<b>R126-5359</b>	126-5359	Caster Axle Assy w/Bushing	2	
90	<b>R322-50</b>	322-50	Bolt - Hx HD 5/16-18 x 7 1/2	1	
91	<b>R3296-29</b>	1-804256, 3290-357, 3296-29, 915662P	Locknut - 5/16-18 ESNA	1	
92	<b>R93-1622</b>	93-1622	Idler Pulley - Flat 4 in Dia with .375 Bore	2	
93	<b>R5-0652</b>	5-0652	Spacer	2	
94	<b>R104-8301</b>	104-8301, 104-9301, 109-6658, 133-7570	Locknut - 3/8-16 Nylon Flanged	13	
95	<b>R3231-5</b>	3231-5	Bolt - Carriage 3/8-16 x 1-3/4	2	
96	<b>R109-5013</b>	109-5013	Panhard Rod Assy	1	
97	<b>R109-5009</b>	109-5009	Bushing - Suspension - Rubber	2	
98	<b>R109-5010</b>	109-5010	Spacer	2	
99	<b>R103-0865</b>	103-0865	Washer - Blade Bolt HD	3	
100	<b>R51-4060</b>	51-4060	Bolt - Blade	3	
101	<b>R119-2347</b>	119-2347	Deflector Assy	1	

All original equipment manufacturers names and part numbers are used for identification purposes only, and we are in no way implying that our products are original equipment parts. Prices subject to change without notice.



# Replaces Toro GrandStand Mower Parts

Mower with 40in Deck - Model 74536

40in Deck Parts



Item No	R&R Part No.	OEM Part No.	Description	Qty Req	Order Quantity
102	<b>R110-9923-01</b>	110-9923-01	Bracket- Mounting Deflector	1	
103	<b>R151417</b>	119-2346	Deflector - Long	1	
104	<b>R110-0792-01</b>	110-0792-01	Deflector	1	
105	<b>R110-0793-03</b>	110-0793-03	Strap - Discharge	1	
106	<b>R3231-4</b>	01-157-0440, 01-173-0612, 3231-4	Bolt - Carriage 3/8-16 x 1-1/2	4	
107	<b>R108-4052</b>	108-4052	Spring - Torsion	1	
108	<b>R5-2653</b>	5-2653	Pulley - Idler Steering Cable	1	
109	<b>R117-6238-01</b>	117-6238-01	Bracket-Clamp, Cable	1	
110	<b>R322-3</b>	01-150-1420, 01-178-0506, 20-24-AD, 20-24-AGD, 322-3, 48-9270, 513339, 908017P	Bolt - Hex HD 5/16-18 x 3/4	2	
111	<b>R104-8300</b>	104-8300, 104-8300 , 119-4041	Locknut - 5/16-18 Flanged Y/Zinc	8	
112	<b>RP1471-1</b>	01-150-1400, 20-5-AD, 30-8880, 321-6, 321-6 , 3222-2, 513320, Mar-97	Bolt - Hex HD 1/4-20 x 1	1	
113	<b>R104-7201</b>	104-7201	Locknut - 1/4-20 ESNA Flanged	2	
114	<b>R322-4</b>	322-4, 3290-115, 908018P	Bolt - Hex HD 5/16-18 x 7/8	4	

All original equipment manufacturers names and part numbers are used for identification purposes only, and we are in no way implying that our products are original equipment parts. Prices subject to change without notice.



# Replaces Toro GrandStand Mower Parts

Mower with 40in Deck - Model 74536

40in Deck Parts



Item No	R&R Part No.	OEM Part No.	Description	Qty Req	Order Quantity
115	<b>R117-6204</b>	117-6204	Control Arm - Pump	2	
116	<b>R119-2302-01</b>	119-2302-01	Bracket - Fork	2	
117	<b>R32128-23</b>	32128-23, 3218-23, 99-5107	Nut - Lock Hex Flanged 1/2-13	2	
119	<b>R325-10</b>	01-150-0620, 01-178-0820, 20-91-AGD, 3226-6, 325-10	Bolt	2	
120	<b>R117-5292</b>	117-5292	Latch - HOC	1	
121	<b>R119-2309</b>	119-2309	Shoulder Bolt	1	
122	<b>R119-1886</b>	119-1886	Shaft-Pivot	1	
123	<b>R119-1885</b>	119-1885	Shaft-Pivot, Motion Control	1	
124	<b>R115-3592</b>	115-3592	Grip - Foam	1	
125	<b>R121-6014-01</b>	121-6014-01	Lift Arm - RH	1	
126	<b>R121-6013-01</b>	121-6013-01	Lift Arm - LH	1	
127	<b>R108-7282-01</b>	108-7282-01	Skid Plate	1	
128	<b>R119-0383</b>	119-0383	Deck Lift Link Assy	1	
129	<b>R3231-2</b>	01-157-0170, 01-173-0608, 3231-2, 3231-22, 3231-28, 900063P	Bolt - Carriage 3/8-16 x 1	5	
130	<b>R119-0382</b>	119-0382	Link-Lift - Deck	1	
131	<b>R117-5291</b>	117-5291	Balljoint - Spherical LH	1	
132	<b>R117-5293</b>	117-5293	Nut - 5/8-18 LH Jam	1	

All original equipment manufacturers names and part numbers are used for identification purposes only, and we are in no way implying that our products are original equipment parts. Prices subject to change without notice.



# Replaces Toro GrandStand Mower Parts

Mower with 40in Deck - Model 74536

40in Deck Parts



Item No	R&R Part No.	OEM Part No.	Description	Qty Req	Order Quantity
133	<b>R443828</b>	01-191-1018, 3214, 3220-6, 443828, 915089P	Nut - 5/8-18 Hex	1	
134	<b>R1-633029</b>	1-633029	Ball Joint - 5/8-18 RH Thread	1	
135	<b>R119-2334</b>	119-2334	Bronze Step Washer	1	
136	<b>R117-5286-01</b>	117-5286-01	Outer Plate - HOC	1	
137	<b>R119-0178</b>	119-0178, R119-0178	Idler Arm Assy	1	
138	<b>R33-3090</b>	30-1420, 33-3090	Bushing	2	
139	<b>R119-0208</b>	119-0208	Spacer - Plain	1	
143	<b>R121-7988-01</b>	121-7988-01	Fork - Caster	2	
<i>Tech Note: Ser# 400000000-316999999:</i>					
143	<b>R103-8618-01</b>	103-8618-01	Fork - Caster	2	
<i>Tech Note: Ser# 310000001-313999999:</i>					
144	<b>R103-4882</b>	103-4882	Grease Cap - Castor	2	

All original equipment manufacturers names and part numbers are used for identification purposes only, and we are in no way implying that our products are original equipment parts. Prices subject to change without notice.