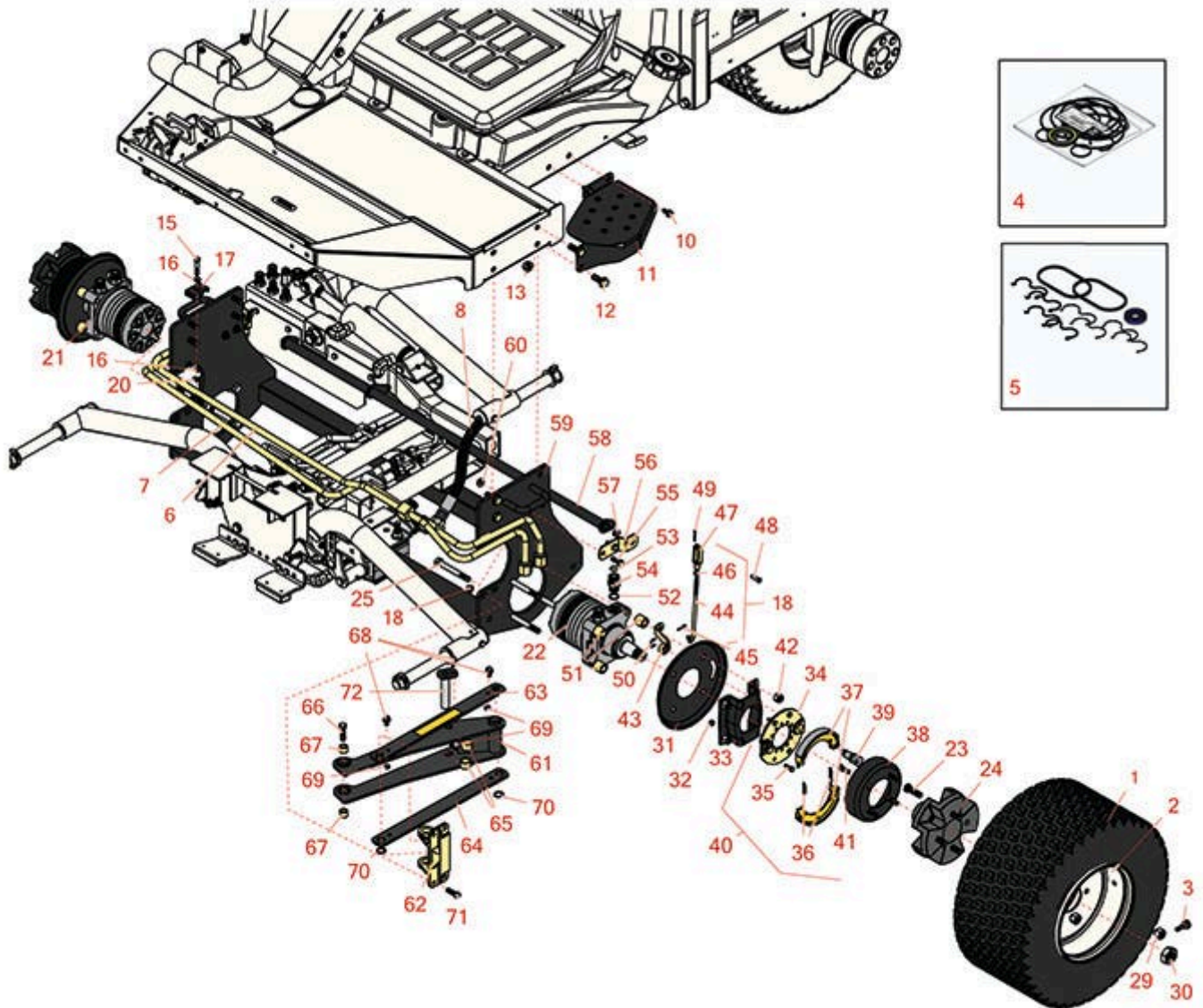




Replaces Toro Groundsmaster 3500-G Parts

*Traction Unit - Model 30809
Front Wheel & Brake*



FOR MORE TIRE SELECTIONS PLEASE
CLICK ON TIRE ICON ABOVE

All original equipment manufacturers names and part numbers are used for identification purposes only, and we are in no way implying that our products are original equipment parts. Prices subject to change without notice.



Replaces Toro Groundsmaster 3500-G Parts

Traction Unit - Model 30809
Front Wheel & Brake



Item No	R&R Part No.	OEM Part No.	Description	Qty Req	Order Quantity
Tires					
1	RCT575315	117-5125	Tire - 20x12.00-10 Nhs (4 Ply) Carlisle Turf Trac R/S	1	
2	R104-0452	104-0452	Rim - Wheel 10 x 9 3/4	2	
<i>Tech Note: Fits Models 30839-2006-2009 & 30843-2009:</i>					
2	R117-5126	117-5126, 121-3548	Rim - Wheel 10 x 10	2	
<i>Tech Note: Fits Model 30807 & 30839/30843-2010 -2013:</i>					
3	R232-27	232-27, 232-31	Stem - Valve w/ Cap	2	
Overhaul Kits and Service Tools					
4	R76-0800	100-6131, 76-0800, 94-8178	Seal Kit - Hyd Wheel Motor	1	
5	R107-7819	107-7819	Seal Kit - Fits R105-9872 Hyd Motor	1	
Hoses					
6	R105-1214	105-1214, 95-8834	Hydraulic Hose Assy	1	
7	R95-8783	95-8783	Tube Assy	1	
8	R95-8784	95-8784	Tube Assy	1	
Other Parts Available					
10	R3234-5	3234-5, 62-3310	Bolt - 5/16-18x3/4 Hx Ser Was HD	2	
11	R99-3375-03	99-3375, 99-3375-03	Step	1	
12	R3234-38	3234-38	Bolt - Flanged Hex 1/2-13 x 1-1/4	4	
13	R32128-49	32128-49	Nut - 1/2-13 Hex Flange	4	

All original equipment manufacturers names and part numbers are used for identification purposes only, and we are in no way implying that our products are original equipment parts. Prices subject to change without notice.



Replaces Toro Groundsmaster 3500-G Parts

*Traction Unit - Model 30809
Front Wheel & Brake*



Item No	R&R Part No.	OEM Part No.	Description	Qty Req	Order Quantity
15	R19H3130	322-9, 3223-5	Bolt - Hex HD 5/16-18 x 1-3/4	2	
16	R453009	01-166-0400, 24-10-BD, 24-9-AD, 32-9650, 3256-2, 3256-23, 3256-3, 3256-67, 3290-217, 3556-3, 4-2390, 7-0152	Washer - Flat 5/16 SAE	4	
17	R56-7971	56-7971	Clamp - Tube	4	
18	R115-6672	115-6672	Brake Lever Assy	1	
19	R104-8301	104-8301, 104-9301, 109-6658, 133-7570	Locknut - 3/8-16 Nylon Flanged	4	
20	R3296-29	1-804256, 3290-357, 3296-29, 915662P	Locknut - 5/16-18 ESNA	2	
21	R110-8786	110-8786, 95-8693	Hydraulic Motor - RH Wheel	1	
22	R110-8785	110-8785	Hydraulic Motor - LH Wheel	1	
<i>Tech Note: Fits all Models 2007 & Newer:</i>					
22	R75-9990	75-9990	Hydraulic Motor - Wheel	1	
<i>Tech Note: Fits Models 30839-2006/30826-2006 Only:</i>					
23	R10-6830	10-6830, 75-9440	Stud - Wheel 1/2-20 x 1 3/4	8	

All original equipment manufacturers names and part numbers are used for identification purposes only, and we are in no way implying that our products are original equipment parts. Prices subject to change without notice.



Replaces Toro Groundsmaster 3500-G Parts

*Traction Unit - Model 30809
Front Wheel & Brake*



Item No	R&R Part No.	OEM Part No.	Description	Qty Req	Order Quantity
24	R104-0462-03	104-0462, 104-0462-03	Hub - Wheel - Front	2	
25	R3274-99	3274-99	Bolt - Hx Soc HD	8	
29	R242-50	242-50	Nut - 1/2-20 Wheel	8	
30	R26-3790	26-3790	Nut - Hex - Wheel Motor 1-20	2	
31	R104-0485-03	104-0485-03, 104-0485-0P	Shield - Wheel	2	
32	R301504	2296-42, 301504, 32127-24, 32128-33, 32146-17, 3296-16, 3296-42, 3296-42 , 915661P	Locknut - ESNA 1/4-20	8	
33	R84-2000-03	84-2000, 84-2000-03, 84-2000-0P	Bracket - Brake	2	
34	R70-9870	70-9870	Plate - Backing	2	
35	R321-5	321-31, 321-5	Bolt - Hex HD 1/4-20 x 7/8	8	
36	R70-9880	70-9880	Spring - Brake Shoe	4	
37	R70-9840	70-9840	Shoe - Brake	4	
38	R104-4809	104-4809	Drum - Brake	2	
39	R104-7707	104-7707, 104-7708, 70-9850, 70-9860	Cam - Brake	2	
40	R71-1500	104-7705, 71-1500	Brake Assy	2	

All original equipment manufacturers names and part numbers are used for identification purposes only, and we are in no way implying that our products are original equipment parts. Prices subject to change without notice.



Replaces Toro Groundsmaster 3500-G Parts

*Traction Unit - Model 30809
Front Wheel & Brake*



Item No	R&R Part No.	OEM Part No.	Description	Qty Req	Order Quantity
41	R3274-105	3274-105	Screw - Button HD Soc Cap	8	
42	RF5003	32127-29, 32131-5, 32132-5, 3296-23	Locknut - ESNA 1/2-13	8	
43	R93-6850	114-2726, 93-6850	Lever - Brake	2	
44	R104-4627	104-4627	Rod - Adjusting	2	
45	R1023-4	01-151-0150, 1023-4, 19-6220, 214-14, 215-54, 28-9-D, 3272-4, 3272-6, 513567, 932008P	Pin - Cotter 3/32 x 3/4	2	
46	R3220-2	01-191-0524, 3220-2	Nut - Jam - 5/16-24	2	
47	R282-2	1-303105, 282-2	Yoke	2	
48	R283-1	283-1, 283-13	Pin - Clevis	2	
49	R3272-10	01-151-0120, 105-7512, 3272-10, N/A	Pin - Cotter 1/8 x 3/4	2	
50	R150513	104-7706	E - Clip - Brake Assy	2	
51	R92-1715	100005, 92-1715	Spacer	8	
<i>Tech Note: Ser # 216000001-311999999:</i>					
51	R119-8238	119-8238	Spacer - Deck Pulley	8	

All original equipment manufacturers names and part numbers are used for identification purposes only, and we are in no way implying that our products are original equipment parts. Prices subject to change without notice.



Replaces Toro Groundsmaster 3500-G Parts

*Traction Unit - Model 30809
Front Wheel & Brake*



Item No	R&R Part No.	OEM Part No.	Description	Qty Req	Order Quantity
<i>Tech Note: Ser # 312999999-400950000:</i>					
52	R237-80	237-80, 327-80	O-Ring	4	
53	R237-65	237-65, 237.65	O-Ring	4	
54	R340-7	340-7	Adapter	4	
55	R3234-11	3234-11	Bolt - Hex Washer HD	4	
56	R95-8683	95-8683	Bracket - Pivot	2	
57	R256-156	256-156, 256-219	Bushing - Flanged	2	
58	R104-4625-03	104-4625-03	Brake Pivot Shaft	1	
59	R95-8568-03	95-8568, 95-8568-03	Frame - Lower	1	
60	R32128-43	30-8990, 32128-43, 3290-357	Nut - Flanged Whiz - 3/8-16	4	
61	R95-8521-03	95-8521, 95-8521-03	Frame-Scissor	1	
62	R95-8883	95-8883	Mount - Scissor	1	
63	R99-3505	99-3505	Scissors Link Assy	1	
64	R95-8527-03	95-8527, 95-8527-03	Link - Scissor	1	
65	R46-6350	46-6350	Spacer	2	
66	R324-6	01-150-1690, 01-178-0712, 20-68-AGD, 3225-3, 324-6	Bolt - Hex HD 7/16-14 x 1-1/2	2	

All original equipment manufacturers names and part numbers are used for identification purposes only, and we are in no way implying that our products are original equipment parts. Prices subject to change without notice.



Replaces Toro Groundsmaster 3500-G Parts

*Traction Unit - Model 30809
Front Wheel & Brake*



Item No	R&R Part No.	OEM Part No.	Description	Qty Req	Order Quantity
67	R95-8603	95-8603	Spacer	2	
68	R3234-14	3234-14, 3234-23	Bolt - Hex Serrated Washer HD	3	
69	R32152-1	32152-1	Locknut - All Metal 5/16-18	3	
70	R32120-93	32120-93	Snap Ring - HD	3	
71	R400264	01-150-0180, 01-178-0610, 20-48-AD, 20-48-AGD, 32-9160, 3224-3, 323-29, 323-7, 400264, 908035P	Bolt - Hex HD 3/8-16 x 1-1/4	4	
72	R10-6060	10-6060, 120-3199	Pin - Pivot 3-7/8 Long	1	

All original equipment manufacturers names and part numbers are used for identification purposes only, and we are in no way implying that our products are original equipment parts. Prices subject to change without notice.