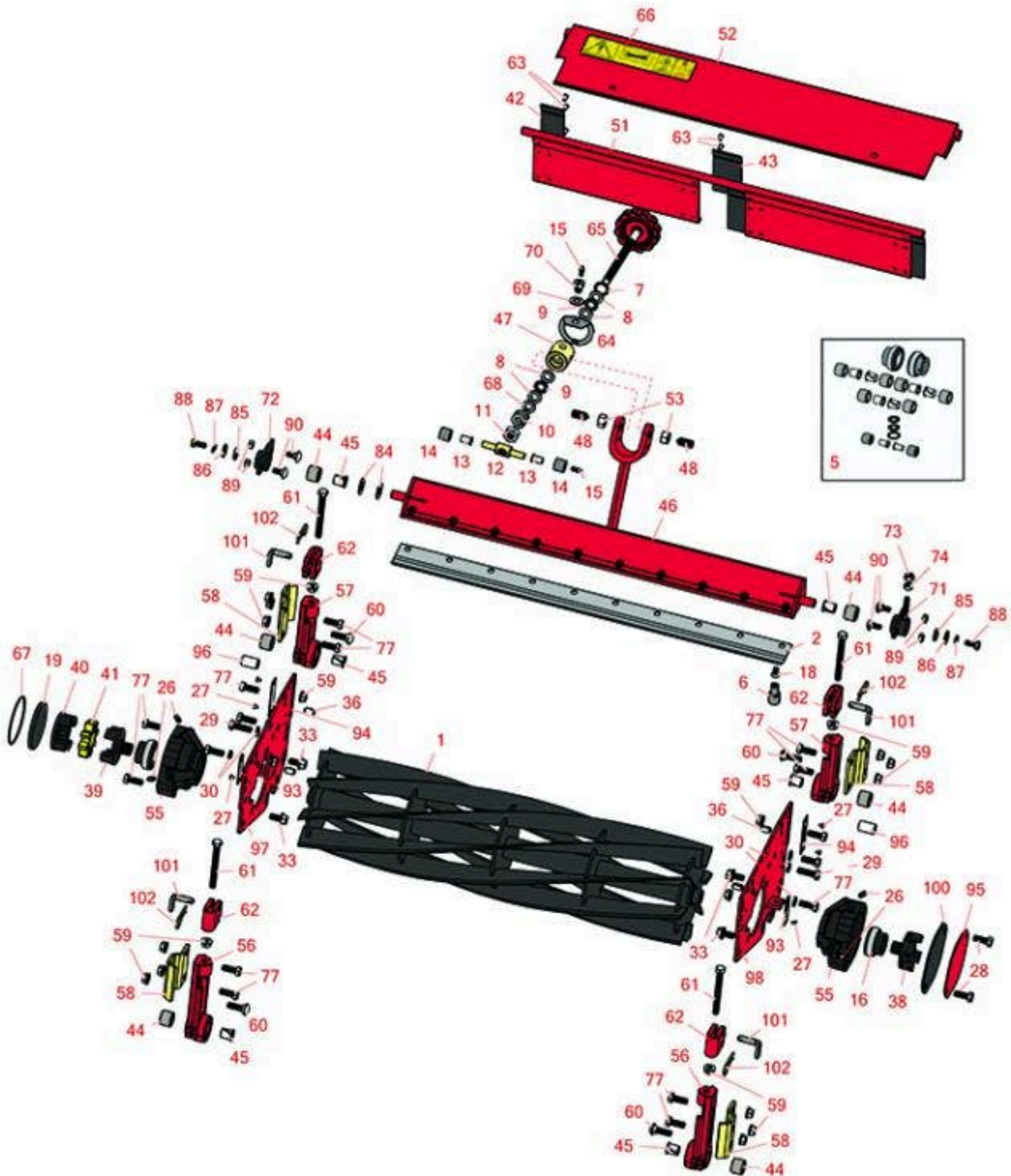




# Replaces Toro Reelmaster 2600-D Parts

32in Cutting Unit - Models 03466 & 03467  
Reel & Bedknife



All original equipment manufacturers names and part numbers are used for identification purposes only, and we are in no way implying that our products are original equipment parts. Prices subject to change without notice.



# Replaces Toro Reelmaster 2600-D Parts

32in Cutting Unit - Models 03466 & 03467  
Reel & Bedknife



Item No	R&R Part No.	OEM Part No.	Description	Qty Req	Order Quantity
---------	--------------	--------------	-------------	---------	----------------

## R&R Reels, Lifetime Guaranteed

1	<b>R94-5055</b>	94-4987, 99-3470, 99-3484	Reel - 5 Blade 32x7	3	
1	<b>R94-5054</b>	94-4960, 99-3471, 99-3485	Reel - 8 Blade Fits 32x7	3	

## R&R Bedknives, Lifetime Guaranteed

2	<b>R94-5079</b>	104-1381, 94-4974, 94-5079	Bedknife - Lowcut - 32 in Unit	1	
2	<b>R112-8956</b>	112-8956	Bedknife - Razor Tool Steel - 32 x 3/8 Fairway	1	

## Overhaul Kits

5	<b>R150545</b>		Overhaul Kit - Cutting Unit	1	
---	----------------	--	-----------------------------	---	--

*Tech Note: Includes 6 ea.: R56-9510 Rubber Bushings, R56-9520 Nyliner Bushings; 2 ea.: R52-2890 Bushings, R71-1360 Reel Bearings, R62-5510 Bushings, R257-6 Thrust Bearings; 1 ea.: R253-84 Seal:*

## Service Tools

6	<b>R51-0880</b>	51-0880	Bedknife Screw Driver Tool	0	
---	-----------------	---------	----------------------------	---	--

## Other Parts Available

7	<b>R253-84</b>	253-84, 7-0044	Seal - Micro Adj.	1	
8	<b>R257-5</b>	257-5	Washer - Thrust	4	
9	<b>R257-6</b>	257-6	Bearing - Thrust	2	
10	<b>R57-5270</b>	57-5270	Spring - Adjusting Handle	1	
11	<b>R3296-62</b>	3296-62	Locknut - 1/2-20 LH Jam	1	

All original equipment manufacturers names and part numbers are used for identification purposes only, and we are in no way implying that our products are original equipment parts. Prices subject to change without notice.



# Replaces Toro Reelmaster 2600-D Parts

32in Cutting Unit - Models 03466 & 03467  
Reel & Bedknife



Item No	R&R Part No.	OEM Part No.	Description	Qty Req	Order Quantity
12	<b>R57-5260</b>	107-7409, 57-5260	Pivot - 1/2-20 - Bed Bar	1	
13	<b>R52-2890</b>	52-2890	Bushing - Flanged	2	
14	<b>R62-5510</b>	52-2870, 62-5510	Bushing	2	
15	<b>R302-18</b>	302-18	Zerk - Grease Press Style	1	
16	<b>R71-1360</b>	251-219, 251-253, 251-254, 251-320, 71-1360, 88-7880, 94-3405	Bearing	2	
18	<b>R150475</b>	3-6462, 3-6642	Screw - Bedknife Stainless 5/16-18 x 5/8	12	
<i>Tech Note: Pre-Packaged in bags of 50:</i>					
18	<b>R150476</b>	3-3816, 3-6462, 52-4910, 57-4910	Screw - Bedknife 5/16-18 x 5/8	12	
19	<b>R94-2703</b>	94-2703	Plug - Plastic Spindle Housing	1	
26	<b>R302-5</b>	21-6010, 302-11, 302-37, 302-47, 302-5, 302-57, 302-58, 302-6, 31-0300, 32-9660, 60-0800, 62-3880, 92-4181	Fitting - Grease	4	

All original equipment manufacturers names and part numbers are used for identification purposes only, and we are in no way implying that our products are original equipment parts. Prices subject to change without notice.



# Replaces Toro Reelmaster 2600-D Parts

32in Cutting Unit - Models 03466 & 03467

Reel & Bedknife



Item No	R&R Part No.	OEM Part No.	Description	Qty Req	Order Quantity
27	<b>R3290-55</b>	3290-50, 3290-55	Rivet - 5/32 x 3/8 Pop Rivet	4	
28	<b>R323-2</b>	01-178-0604, 323-2	Bolt - Hex HD 3/8-16 x 1	2	
29	<b>R400264</b>	01-150-0180, 01-178-0610, 20-48-AD, 20-48-AGD, 32-9160, 3224-3, 323-29, 323-7, 400264, 908035P	Bolt - Hex HD 3/8-16 x 1-1/4	2	
30	<b>R3254-6</b>	01-166-0010, 01-166-0280, 01-166-0610, 3253-5, 3254-18, 3254-6, 3290-223, 48-9370	Washer - Lock 3/8	3	
33	<b>R110-1718</b>	110-1718	Screw-HHF	4	
34	<b>R93-8823</b>	93-8823	Coupling - Motor End	1	
36	<b>R32121-36</b>	32121-36	Pin-Spring	4	
38	<b>R93-8825</b>	93-8825	Coupling - RH Reel	1	
39	<b>R93-8826</b>	93-8826	Coupling - LH Reel	1	
41	<b>R93-8827</b>	93-8827	Spider - Reel Coupling	1	
42	<b>R61-3280</b>	61-3280	Cover - Rubber Side	2	
43	<b>R61-3290</b>	61-3290	Cover - Rubber Center	2	
44	<b>R56-9510</b>	56-9510	Bushing - Rubber For Bed Bar / RI	6	
45	<b>R56-9520</b>	56-9520	Bushing - Nyliner	6	

All original equipment manufacturers names and part numbers are used for identification purposes only, and we are in no way implying that our products are original equipment parts. Prices subject to change without notice.



# Replaces Toro Reelmaster 2600-D Parts

32in Cutting Unit - Models 03466 & 03467  
Reel & Bedknife



Item No	R&R Part No.	OEM Part No.	Description	Qty Req	Order Quantity
46	<b>R94-4980</b>	94-4980	Backing Bar - Bed Knife	1	
47	<b>R52-2980</b>	52-2980	Housing - Pivot Spa	1	
48	<b>R57-5190</b>	32110-19, 57-5190	Screw - Adjusting	2	
51	<b>R94-4969</b>	94-4969	Shield - Rear Grass 32 in Units	1	
52	<b>R94-5053</b>	94-5053	Shield - Top - Fits 32 in Units	1	
53	<b>R443818</b>	01-191-0813, 3218-18, 3218-5, 3248-18	Nut - 1/2-13 Hex Jam Zinc	2	
55	<b>R99-3404</b>	93-6930, 99-3404	Housing-Bearing	2	
56	<b>R61-0430</b>	61-0430, 61-0430-01	Bracket - Long - Rear Roller	2	
57	<b>R61-0440</b>	61-0440	Bracket - Short - Front Roller	2	
57	<b>R14-4489</b>	14-4489	Bracket - Assy - Front Roller	2	
58	<b>R61-0910</b>	61-0910	Bracket	4	
59	<b>R3296-39</b>	32127-25, 32128-36, 3290-357, 3296-17, 3296-22, 3296-39, 915663P, 99-7443	Locknut - 3/8-16 Nylon	16	
60	<b>R3231-25</b>	01-173-0610, 30-9970, 3231-25, 3231-3, 900064P	Bolt - Carriage 3/8-16 x 1-1/4	2	
61	<b>R61-0790</b>	323-57, 61-0790	Bolt - Roller Adjustment	4	

All original equipment manufacturers names and part numbers are used for identification purposes only, and we are in no way implying that our products are original equipment parts. Prices subject to change without notice.



## Replaces Toro Reelmaster 2600-D Parts

32in Cutting Unit - Models 03466 & 03467  
Reel & Bedknife



Item No	R&R Part No.	OEM Part No.	Description	Qty Req	Order Quantity
62	<b>R61-0420</b>	61-0420, 61-0420-01	Support - HOC	4	
63	<b>R3295-48</b>	3295-48	Rivet - 3/16 x 3/8 Tub	8	
63	<b>R700382</b>	700382	Rivet - Guard	8	
64	<b>R52-3000</b>	52-3000	Arm - Spring	1	
65	<b>R94-5067</b>	94-5067	Handle - Adjusting	1	
66	<b>R93-8064</b>	93-8064	Decal - Warning	1	
67	<b>R353-949</b>	353-949, 60-3520	O-Ring	1	
68	<b>R29-8870</b>	29-8870	Washer - Adj. Handle	1	
69	<b>R187-0</b>	3256-25, 7-0032	Washer - Flat 7/16 SAE	1	
70	<b>R52-2990</b>	324-25, 52-2990	Bolt - Spring Retainer	1	
71	<b>R93-6855</b>	93-6855	Housing - Bed Bar Adj.	1	
72	<b>R61-1010</b>	61-1010	Housing - Bed Bar	1	
73	<b>R444754</b>	01-189-0518, 3296-4	Locknut - 5/16-24 Center	1	
74	<b>R3219-2</b>	01-188-0524, 22-12-BJKD, 3219-2, 915720	Nut - 5/16-24 Zinc	1	

All original equipment manufacturers names and part numbers are used for identification purposes only, and we are in no way implying that our products are original equipment parts. Prices subject to change without notice.



# Replaces Toro Reelmaster 2600-D Parts

32in Cutting Unit - Models 03466 & 03467

Reel & Bedknife



Item No	R&R Part No.	OEM Part No.	Description	Qty Req	Order Quantity
77	<b>R323-6</b>	01-150-0010, 01-178-0608, 20-47-AD, 20-47-AGD, 3224-2, 323-6, 49-3510, 908034P, 908332	Bolt - Hex HD 3/8-16 x 1 GR5 YZ	8	
84	<b>R61-1950</b>	61-1950	Washer - Nylon - Bed Bar	1	
85	<b>R62-7120</b>	62-7120	Washer	1	
86	<b>R3256-56</b>	3256-56, 60-4750	Washer	1	
87	<b>R3253-4</b>	01-166-0110, 01-166-0510, 23-10-GD, 24-7170, 30-8520, 3253-4, 42-9850, 48-9350, 48-9360, 48-9570, 68-9420, 99-7577	Washer - Lock 5/16 Zinc	1	
88	<b>R322-3</b>	01-150-1420, 01-178-0506, 20-24-AD, 20-24-AGD, 322-3, 48-9270, 513339, 908017P	Bolt - Hex HD 5/16-18 x 3/4	1	
89	<b>R3296-29</b>	1-804256, 3290-357, 3296-29, 915662P	Locknut - 5/16-18 ESNA	4	

All original equipment manufacturers names and part numbers are used for identification purposes only, and we are in no way implying that our products are original equipment parts. Prices subject to change without notice.



# Replaces Toro Reelmaster 2600-D Parts

32in Cutting Unit - Models 03466 & 03467  
Reel & Bedknife



Item No	R&R Part No.	OEM Part No.	Description	Qty Req	Order Quantity
90	<b>R3230-1</b>	01-173-0506, 3230-1, 3230-20, 900037P	Bolt - Carriage 5/16-18 x 3/4	4	
93	<b>R61-3790</b>	61-3790	Plate-HOC, Front	2	
94	<b>R61-3800</b>	61-3800	Plate - HOC Rear	2	
95	<b>R93-6960</b>	93-6960	Cover - Bearing Holder	1	
96	<b>R93-6981</b>	93-6981	Spacer	8	
97	<b>R94-3695-01</b>	94-3695, 94-3695-01	Plate - Side Reel RH	1	
98	<b>R94-3697-01</b>	94-3697, 94-3697-01	Plate - Side Reel LH	1	
100	<b>R94-5979</b>	94-5979	Gasket	1	
101	<b>R71-3690</b>	61-0630, 71-3690	Spade - Bent	4	
102	<b>R3290-467</b>	3290-467	Pin-Hair	4	

All original equipment manufacturers names and part numbers are used for identification purposes only, and we are in no way implying that our products are original equipment parts. Prices subject to change without notice.