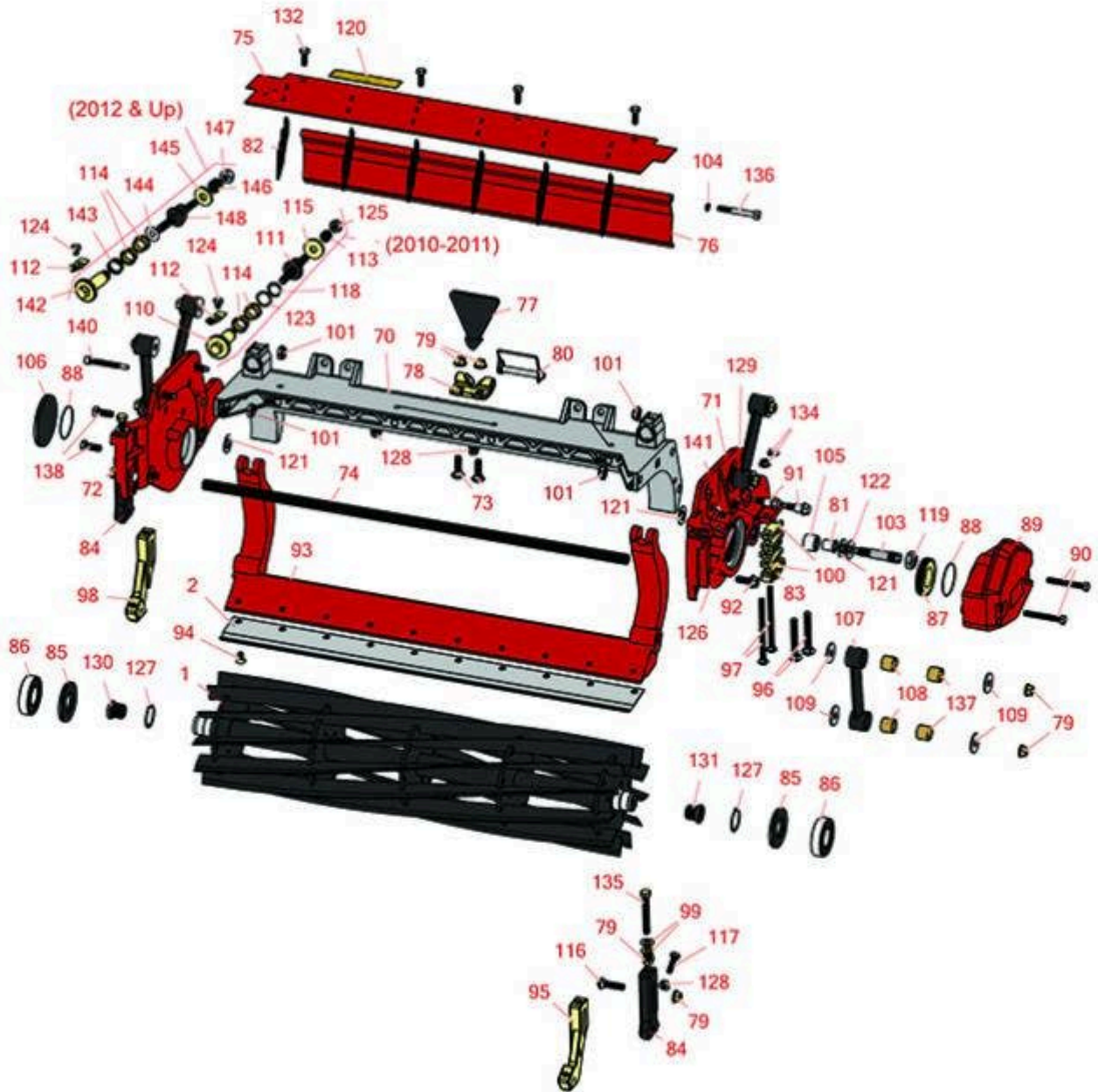




Replaces Toro Reelmaster 3100-D Parts

27in DPA Cutting Unit - Models 03180, 03181, 03182 & 03183

Reel & Bedknife



All original equipment manufacturers names and part numbers are used for identification purposes only, and we are in no way implying that our products are original equipment parts. Prices subject to change without notice.



Replaces Toro Reelmaster 3100-D Parts

27in DPA Cutting Unit - Models 03180, 03181, 03182 & 03183

Reel & Bedknife



Item No	R&R Part No.	OEM Part No.	Description	Qty Req	Order Quantity
R&R Reels, Lifetime Guaranteed					
1	R115-8270	115-8270	Reel - 5 Blade 27x7	1	
1	R127-2093	127-2093	Reel - 5 Blade Radial 27x7	1	
1	R115-8275	115-8275	Reel - 8 Blade 27x7	1	
1	R127-2094	127-2094	Reel - 8 Blade Radial 27x7	1	
1	R115-8278	115-8278	Reel - 11 Blade 27x7	1	
1	R127-2095	127-2095	Reel - 11 Blade Radial 27x7	1	
1	R127-2104	115-8282, 127-2104	Reel - 5 Blade Radial 32x7	1	
<i>Tech Note: Includes R107-3275 & R107-3276 Threaded Insert:</i>					
1	R115-8286	115-8286	Reel - 8 Blade 32x7	1	
<i>Tech Note: Includes R107-3275 & R107-3276 Threaded Insert:</i>					
1	R127-2105	127-2105	Reel - 8 Blade Radial 32x7	1	
<i>Tech Note: Includes R107-3275 & R107-3276 Threaded Insert:</i>					
1	R133-8273	133-8273	Reel - 8 Blade Razor Series Radial 32x7	1	
<i>Tech Note: Includes R107-3275 & R107-3276 Threaded Insert:</i>					
1	R137-8477	137-8477	Reel - 8 Blade Razor Series Radial w/Bearings and Seals 32x7	1	
<i>Tech Note: Includes R107-3275 & R107-3276 Threaded Insert:</i>					
1	R133-8271	133-8271	Reel - 11 Blade Razor Series Radial 27x7	1	

R&R Bedknives, Lifetime Guaranteed

All original equipment manufacturers names and part numbers are used for identification purposes only, and we are in no way implying that our products are original equipment parts. Prices subject to change without notice.



Replaces Toro Reelmaster 3100-D Parts

27in DPA Cutting Unit - Models 03180, 03181, 03182 & 03183

Reel & Bedknife



Item No	R&R Part No.	OEM Part No.	Description	Qty Req	Order Quantity
2	R114-9388	114-9388	Bedknife - 27 in Unit - Standard	1	
2	R114-9390	114-9390	Bedknife - 27 in Unit - Heavy Duty	1	
2	R114-9389	114-9389	Bedknife - 32 in Unit - Standard	1	
2	R114-9391	114-9391	Bedknife - 32 in Unit - Heavy Duty	1	

R&R Razor Tool Steel Bedknives, Lifetime Guaranteed

2	R112-8910	112-8910	Bedknife - Razor Tool Steel - 27 High Cut	1	
2	R112-8956	112-8956	Bedknife - Razor Tool Steel - 32 x 3/8 Fairway	1	

Overhaul Kits

10	R114-5430	114-5430	Overhaul Kit - Roller	1	
<i>Tech Note: Includes 4 ea.: R112-7494 Seals; 2 ea.: R302-5 Grease Zerks, R114-3717 Seals, R112-5290 Bearings & R114-3745 Locknuts:</i>					
11	R120-7230	120-7230	Overhaul Kit - Fits DPA Units	1	
<i>Tech Note: Incl 2 ea.: R108-0015, R115-7039, R119-4155, R120-5116, R120-5118, R120-5120, R3296-33, R3296-48 & 4 ea: R106-5344:</i>					
12	R110-9600	110-9600	High HOC Kit	1	
<i>Tech Note: Includes 1 ea.: R120-0404, R120-0405 & 2 ea: R112-7451, R322-16, R445722 & 4 ea.: R106-9758, R104-8300, R453011, R104-8301 & 8 ea: R106-3925:</i>					

Other Parts Available

70	R112-8935	112-8935	Frame - Center - 27 in Unit	1	
70	R112-8978	112-8978	Frame - Center 32 in Unit	1	
71	R115-4260	115-4260	Plate- Side - LH Fits OEM Units Only	1	
72	R115-4263	115-4263	Plate- Side - RH - Fits OEM Units Only	1	

All original equipment manufacturers names and part numbers are used for identification purposes only, and we are in no way implying that our products are original equipment parts. Prices subject to change without notice.



Replaces Toro Reelmaster 3100-D Parts

27in DPA Cutting Unit - Models 03180, 03181, 03182 & 03183

Reel & Bedknife



Item No	R&R Part No.	OEM Part No.	Description	Qty Req	Order Quantity
73	R3231-25	01-173-0610, 30-9970, 3231-25, 3231-3, 900064P	Bolt - Carriage 3/8-16 x 1-1/4	2	
74	R112-8936	112-8936	Tube- Support - 27 in Units	1	
74	R112-8979	112-8979	Tube - Support - 32 in Units	1	
75	R112-8942	112-8942	Front Grass Shield Assy - 27 in Units	1	
75	R112-8983	112-8983	Front Grass Shield Assy - 32 in Units	1	
76	R112-8944-01	112-8944-01	Rear Grass Shield Assy - 27 in Units	1	
76	R112-8985-01	112-8985-01	Rear Grass Shield Assy - 32 in Units	1	
77	R110-4088-03	110-4088-03, 119-8010-03	Kickstand	1	
78	R110-4058	110-4058	Bracket - Chain	1	
79	R104-8301	104-8301, 104-9301, 109-6658, 133-7570	Locknut - 3/8-16 Nylon Flanged	2	
80	R107-7400	107-7400	Pin - Lynch	1	
81	R56-9520	56-9520	Bushing - Nyliner	2	
82	R110-1706	110-1706	Deflector	6	
83	R106-3924	106-3924	Bracket - Rear Roller	2	
84	R107-2952	107-2952	Bracket - Front Roller	2	
85	R107-4028	105-6757, 107-4028	Seal - Grease	2	
86	R93-2489	93-2489	Bearing - Reel	2	

All original equipment manufacturers names and part numbers are used for identification purposes only, and we are in no way implying that our products are original equipment parts. Prices subject to change without notice.



Replaces Toro Reelmaster 3100-D Parts

27in DPA Cutting Unit - Models 03180, 03181, 03182 & 03183

Reel & Bedknife



Item No	R&R Part No.	OEM Part No.	Description	Qty Req	Order Quantity
87	R107-2954	107-2954	Nut - Bearing Adjuster	1	
88	R112-6967	112-6967	O-Ring	2	
89	R119-0614-01	119-0614-01	Weight	1	
90	R101526	01-150-0970, 01-178-0620, 101526, 20-53-AGD, 321-11, 3224-8, 323-11, 323-12, 323-31, 323-4, 323-47	Bolt - Hex HD 3/8-16 x 2-1/2 GR5	2	
91	R107-2979	107-2979	Bolt - Shoulder	6	
92	R3234-11	3234-11	Bolt - Hex Washer HD	2	
93	R112-8908-01	112-8908-01	Bedbar - 27 in - Fits OEM Units Only	1	
94	R119-4151	119-4151	Screw - Bedknife 5/16-18 x 17/32	10	
94	R150476	3-3816, 3-6462, 52-4910, 57-4910	Screw - Bedknife 5/16-18 x 5/8	10	
95	R108-4213	108-4213	Bracket- HOC - LH - Groomer	1	
<i>Tech Note: 2010 Only:</i>					
95	R120-0404	120-0404	Bracket- High HOC - LH	1	
<i>Tech Note: Fits 2011 & Newer:</i>					
96	R3230-7	25-33-AGD, 3230-9	Bolt - Carriage 5/16-18 x 2 1/2	4	
96	R3230-26	3230-26	Screw - Carriage 5/16-18 x 3	4	

All original equipment manufacturers names and part numbers are used for identification purposes only, and we are in no way implying that our products are original equipment parts. Prices subject to change without notice.



Replaces Toro Reelmaster 3100-D Parts

27in DPA Cutting Unit - Models 03180, 03181, 03182 & 03183

Reel & Bedknife



Item No	R&R Part No.	OEM Part No.	Description	Qty Req	Order Quantity
97	R106-9758		Bolt - Carriage 5/16x4	4	
97	R3230-30	3230-30	Bolt - Carriage 5/16x4 1/2	4	
98	R108-4214	108-4214	Bracket-HOC - RH - Groomer	1	
<i>Tech Note: 2010 Only:</i>					
98	R120-0405	120-0405	Bracket - High HOC - RH	1	
<i>Tech Note: Fits 2011 & Newer:</i>					
98	R125-2796	125-2796	Bracket- Front HOC	0	
<i>Tech Note: Fits 2013 & Newer:</i>					
99	R453011	01-166-0100, 01-166-0120, 01-166-0270, 01-166-0500, 01-166-0600, 01-166-0620, 132-4593, 2356-3, 237-12, 24-10-AD, 24-11-AD, 24-11-BD, 24-12-AD, 24-12-BD, 30-9310, 32-8190, 3256-24, 3256-3, 3256-36, 3256-4, 453011, 47-9950, 48-9220, 513458, 7-0052	Washer - Flat 3/8 SAE Y/Zinc	4	
100	R106-3925	106-3925	Shim - 1/4 - Rear Roller HOC	8	
<i>Tech Note: 2010 Only:</i>					

All original equipment manufacturers names and part numbers are used for identification purposes only, and we are in no way implying that our products are original equipment parts. Prices subject to change without notice.



Replaces Toro Reelmaster 3100-D Parts

27in DPA Cutting Unit - Models 03180, 03181, 03182 & 03183

Reel & Bedknife



Item No	R&R Part No.	OEM Part No.	Description	Qty Req	Order Quantity
100	R119-0626	119-0626	Shim - Roller - 1/4 in - Slotted	8	
<i>Tech Note: 2011 & Newer:</i>					
101	R3296-28	119-4154, 140-9234, 32127-34, 32128-7, 32128-8, 32136-7, 3296-28	Nut - 1/2-20 ESNA Jam	4	
103	R106-9623	106-9623	Bolt - Bedbar	2	
104	R3256-74	3256-74	Washer - Flat	1	
105	R106-9618	106-9618	Bushing - Rubber	2	
106	R94-2703	94-2703	Plug - Plastic Spindle Housing	1	
107	R16-9759	16-9759	Link Assy	4	
108	R93-6981	93-6981	Spacer	8	
109	R93-8806	93-8806	Washer-Hardened	16	
110	R106-5363	106-5363	Shaft - Adjusting - Bed Bar - Stainless	2	
111	R99-2096	99-2096	Screw - Bed Bar Adjustment - M10 Thrd 1 End	2	
112	R99-2097	99-2097	Detent - Bed Bar Adjuster	2	
113	R99-3755	99-3755	Spring - Bed Bar Adjusting	2	
114	R106-5344	106-5344	Bushing - Flanged and Keyed	4	
115	R99-2098	99-2098	Washer - Bed Bar Adjuster	2	
116	R3231-4	01-157-0440, 01-173-0612, 3231-4	Bolt - Carriage 3/8-16 x 1-1/2	2	

All original equipment manufacturers names and part numbers are used for identification purposes only, and we are in no way implying that our products are original equipment parts. Prices subject to change without notice.



Replaces Toro Reelmaster 3100-D Parts

27in DPA Cutting Unit - Models 03180, 03181, 03182 & 03183

Reel & Bedknife



Item No	R&R Part No.	OEM Part No.	Description	Qty Req	Order Quantity
117	R322-16	322-16, Apr-00	Bolt - Hex HD 5/16-18 x 1-1/8	2	
118	R32120-93	32120-93	Snap Ring - HD	2	
119	R3296-33	3296-33	Locknut - 5/8-18 ESNA Jam	12	
120	R93-6688	93-6688	Decal - Warning	1	
121	R61-1950	61-1950	Washer - Nylon - Bed Bar	4	
122	R453017	01-166-0050, 01-166-0240, 01-166-0800, 24-13-AD, 24-14-AD, 32-8110, 3256-26, 3256-6, 453017, 69-8980, 87-7270	Washer - Flat 1/2	2	
123	R106-5335	106-5335	Wave Washer - Reel Adjusting	2	
124	R114-9396	114-9396, 119-4067	Bolt - Hex HD 5/16-18 x 3/8	2	
125	R33025-00	32025-00, 33025-00	Locknut - 10mm x 1.5 Jam	2	
126	R302-5	21-6010, 302-11, 302-37, 302-47, 302-5, 302-57, 302-58, 302-6, 31-0300, 32-9660, 60-0800, 62-3880, 92-4181	Fitting - Grease	2	

All original equipment manufacturers names and part numbers are used for identification purposes only, and we are in no way implying that our products are original equipment parts. Prices subject to change without notice.



Replaces Toro Reelmaster 3100-D Parts

27in DPA Cutting Unit - Models 03180, 03181, 03182 & 03183

Reel & Bedknife



Item No	R&R Part No.	OEM Part No.	Description	Qty Req	Order Quantity
127	R92-2601	92-2601	Snap Ring	2	
128	R445722	30-8980, 32128-2, 32128-20, 32128-20 , 445722	Nut - Serrated Washer	2	
129	R170714	302-34, 302-39, 62-3520	Fitting - Pressure Relief	2	
130	R107-3275	107-3275	Insert - Threaded - RH - 9 Tooth	1	
131	R107-3276	107-3276	Insert - Threaded - LH - 9 Tooth	1	
132	R3234-7	3234-7	Bolt - Hex Washer HD 5/16-18 x 5/8	4	
134	R104-8300	104-8300, 104-8300 , 119-4041	Locknut - 5/16-18 Flanged Y/Zinc	6	
135	R112-7451	100-9429, 112-7451	Bolt - Hex Tap 3/8-16 x 2-3/4	2	
135	R107-4026	107-4026	Bolt - Hex Tap 3/8-16 x 3-3/4	2	
136	R322-14	01-150-0830, 01-178-0524, 30-8900, 322-14	Bolt - Hex HD 5/16-18 x 3 GR5	1	
137	R94-8945	94-8945	Bushing - Bronze - Link Bar	8	
138	R323-6	01-150-0010, 01-178-0608, 20-47-AD, 20-47-AGD, 3224-2, 323-6, 49-3510, 908034P, 908332	Bolt - Hex HD 3/8-16 x 1 GR5 YZ	2	

All original equipment manufacturers names and part numbers are used for identification purposes only, and we are in no way implying that our products are original equipment parts. Prices subject to change without notice.



Replaces Toro Reelmaster 3100-D Parts

27in DPA Cutting Unit - Models 03180, 03181, 03182 & 03183

Reel & Bedknife



Item No	R&R Part No.	OEM Part No.	Description	Qty Req	Order Quantity
140	R107-7773	107-7773	Bolt - Soc HD Cap 5/16-18 x 2-1/2	1	
141	R107-7447	107-7447	Set Screw - 1/4 x 1-1/4 Sq HD	2	
142	R120-5118	120-5118	Shaft - Adjuster	2	
<i>Tech Note: 2012 & Newer:</i>					
143	R120-5116	120-5116	Washer - Wave	2	
144	R108-0015	108-0015	Washer - Flat	2	
145	R119-4155	119-4155	Washer - Hardened	2	
146	R120-5120	120-5120	Spring - Compression	2	
147	R3296-48	119-4039, 32146-7, 3296-34, 3296-48	Locknut - 7/16-14 ESNA	2	
148	R115-7039	115-7039	Screw - Adjuster - Bedbar	2	

All original equipment manufacturers names and part numbers are used for identification purposes only, and we are in no way implying that our products are original equipment parts. Prices subject to change without notice.